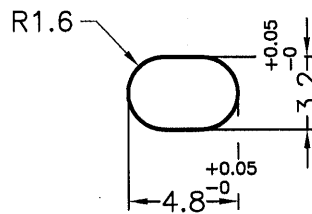
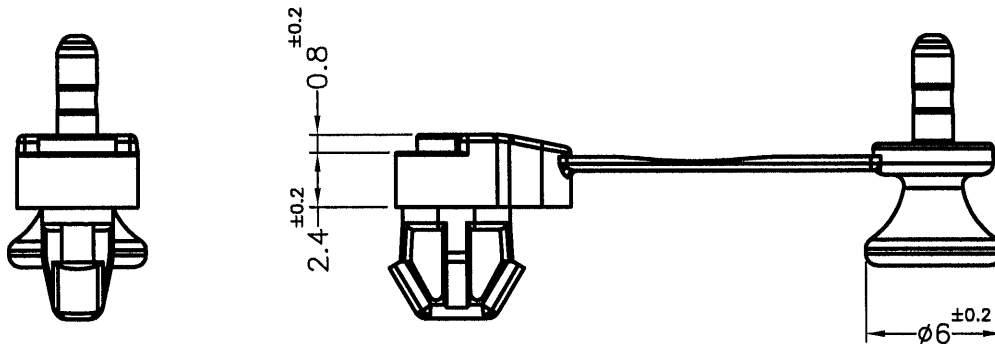
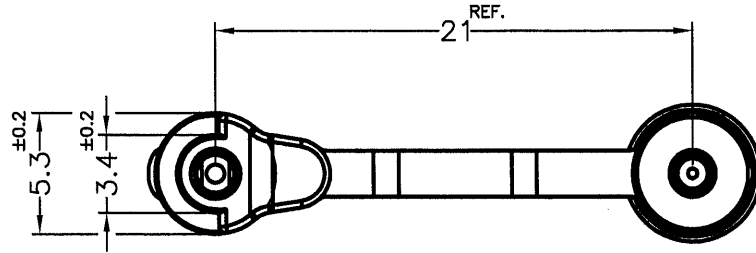


Patented Product

專利產品

REVISIONS			
REV	DESCRIPTION	DATE	BY



MOUNTING HOLE
CHASSIS THICKNESS 2.1⁺⁰_{-0.05} mm

- NOTE: 1. SHRINKING IS NORMAL STATUS.
內縮為正常現象。
2. MADE OF EQUIVALENT MATERIAL.
均可使用同等材質。



康揚企業股份有限公司
KANG YANG HARDWARE ENTERPRISE CO., LTD.
康揚塑膠(東莞)有限公司
KANG YANG PLASTIC(DONG GUAN)CO.,LTD.
康哲電腦配件(吳江)有限公司
KANG CHEE COMPUTER COMPONENTS(WUJIANG) CO.,LTD.

TITLE SPACER SUPPORT		SPEC. DWG.	
MATERIAL NYLON 66 UL94V-2		DATE 2016.09.02	
FINISH		DRAWN Y.C.P	
COLOR GREEN		CHECK 	
UNLESS OTHERWISE SPECIFIED TOLERANCE SEE ABOVE		APPROVED 	

PART NUMBER ULCO2.4-2.1(GR)		DRAWING NUMBER ULCO2.4-2.1	
SIZE A4	SCALE 3:1	UNIT mm	REV A