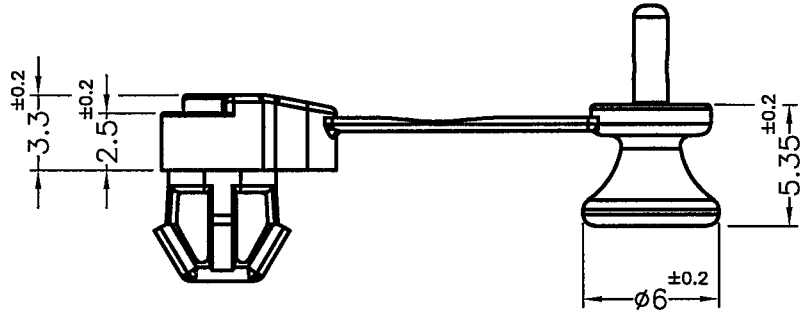
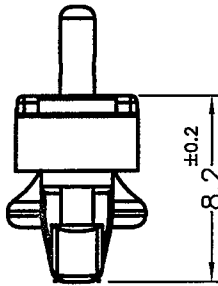
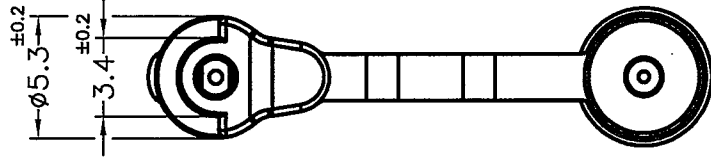
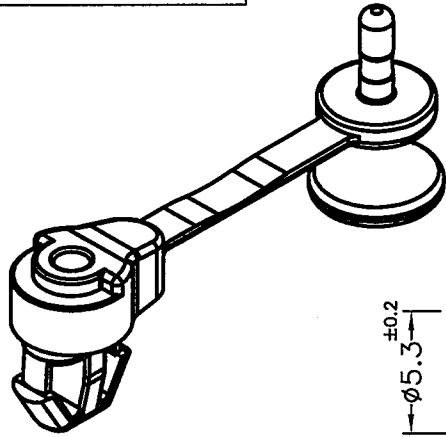
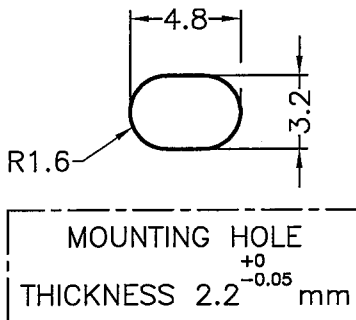


Patented Product

專利產品



PART NO.	MATERIAL	COLOR
ULCO2.5-2.2	NYLON 66 UL94V-2	NATURAL
ULCO2.5-2.2V0GR	NYLON 66 UL94V-0	GREEN



NOTE: 1. MADE OF EQUIVALENT MATERIAL.

可使用同等材質。

2. SHRINKING IS NORMAL STATUS.

內縮為正常現象。

3. THE COLOR BATCH TEST REPORT IS ONLY FOR FIRST LOT TEST.

色母環保檢測報告, 僅提供原始測試報告。



康揚企業股份有限公司
KANG YANG HARDWARE ENTERPRISE CO., LTD.
康揚塑膠(東莞)有限公司
KANG YANG PLASTIC(DONG GUAN)CO.,LTD.
康哲電腦配件(吳江)有限公司
KANG CHE COMPUTER COMPONENTS(WUJIANG)CO.,LTD.

PROPRIETARY AND CONFIDENTIAL THE INFORMATION CONTAINED IN THIS DRAWING IS THE SOLE PROPERTY OF KANG YANG HARDWARE ENTERPRISE CO. ANY REPRODUCTION IN PART OR AS A WHOLE WITHOUT THE WRITTEN PERMISSION OF KANG YANG HARDWARE ENTERPRISE CO. IS PROHIBITED.	DATE	2015.02.16	TITLE	SPACER SUPPORT	DWG. NO.	ULCO2.5-2.2	PART NO.	SEE ABOVE	
	DRAWN	Lyu	MATERIAL	SEE ABOVE	SIZE	A4	SPEC. DWG	REV	B
	CHECKED		COLOR	SEE ABOVE	FINISH				
	APPROVED		UNLESS OTHERWISE SPECIFIED TOLERANCE:	SEE ABOVE	SCALE:	3:1	UNIT	mm	SHEET 1 OF 1