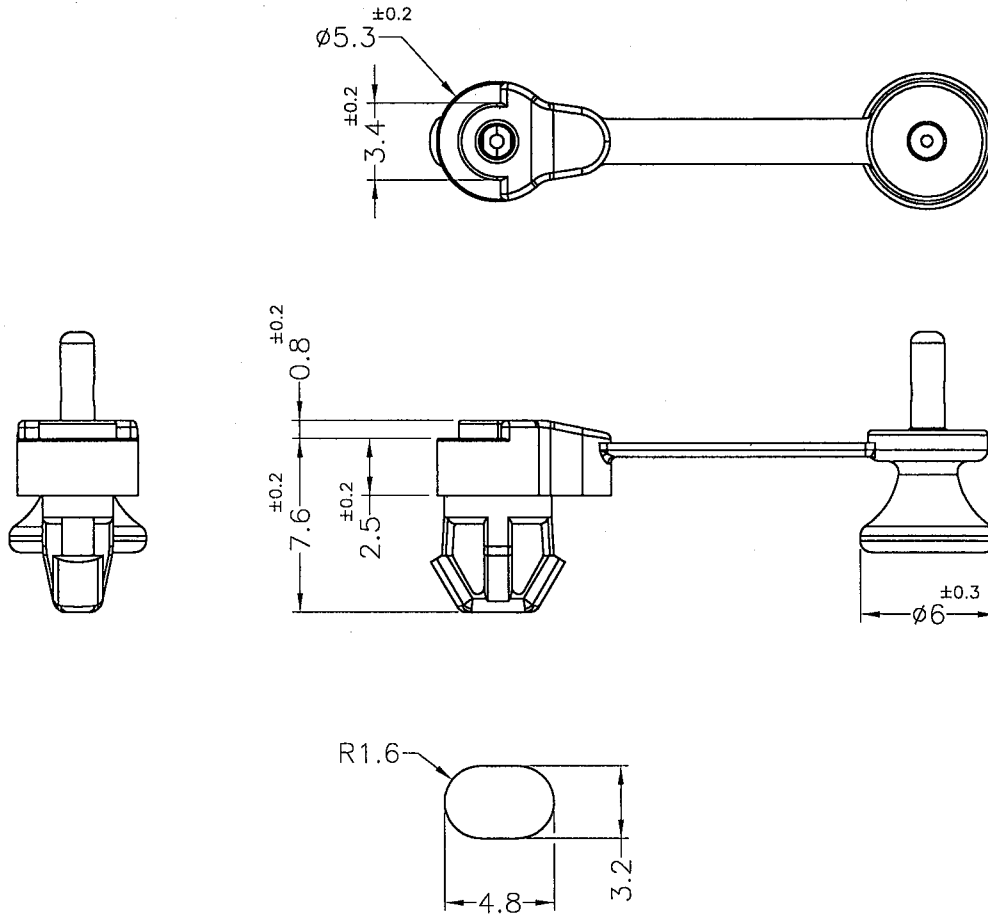


Patented Product

專利產品



MOUNTING HOLE
THICKNESS: 2.4mm
(RECOMMEND FOR REFERENCE ONLY)

NOTE: 1. THE COLOR BATCH TEST REPORT IS ONLY FOR FIRST LOT TEST.
色母環保檢測報告, 僅提供原始測試報告。
2. MADE OF EQUIVALENT MATERIAL.
可使用同等材質。



ISO 9001
ISO 14001
QC 080000
IATF 16949

康揚企業股份有限公司
KANG YANG HARDWARE ENTERPRISE CO., LTD.
康揚塑膠(東莞)有限公司
KANG YANG PLASTIC(DONG GUAN)CO.,LTD.
康哲電腦配件(吳江)有限公司
KANG CHE COMPUTER COMPONENTS(WUJIANG)CO.,LTD.

康揚塑膠五金(泰國)有限公司
บริษัท กัง หยาง ฮาร์ดแวร์ (ไทยแลนด์) จำกัด
KANG YANG HARDWARE (THAILAND) CO., LTD.
康揚越南有限公司
CÔNG TY TNHH KANG YANG VIỆT NAM
KANG YANG VIETNAM CO., LTD.

PROPRIETARY AND CONFIDENTIAL THE INFORMATION CONTAINED IN THIS DRAWING IS THE SOLE PROPERTY OF KANG YANG HARDWARE ENTERPRISE CO. ANY REPRODUCTION IN PART OR AS A WHOLE WITHOUT THE WRITTEN PERMISSION OF KANG YANG HARDWARE ENTERPRISE CO. IS PROHIBITED. DO NOT SCALE DRAWING	DATE 2016.08.16	TITLE M.2 SPACER	DWG. NO. ULCO2.5-2.4	PART NO. ULCO2.5-2.4(B)	
	DRAWN C.S.I	MATERIAL NYLON 66(PA66) UL94V-2	SIZE A4	SPEC. DWG.	REV A
	CHECKED [Signature]	COLOR BLACK	FINISH	SCALE: 3:1	UNIT mm
	APPROVED [Signature]	UNLESS OTHERWISE SPECIFIED TOLERANCE: SEE ABOVE	SHEET 1 OF 1		