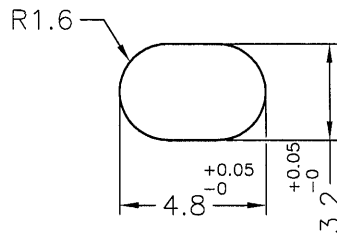
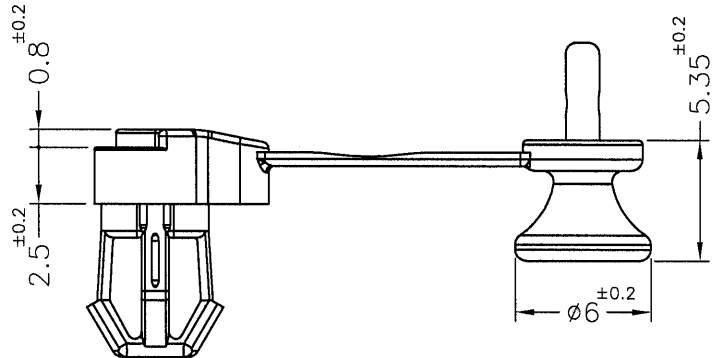
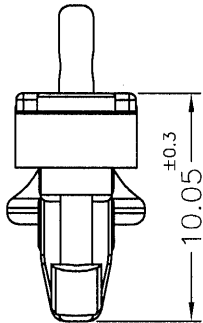
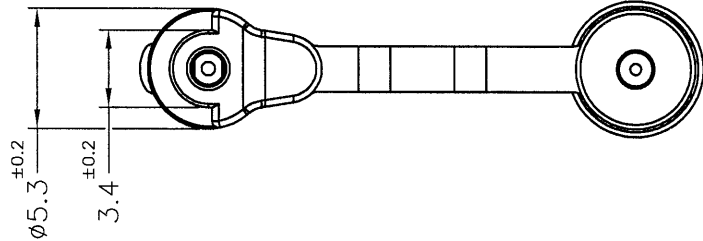
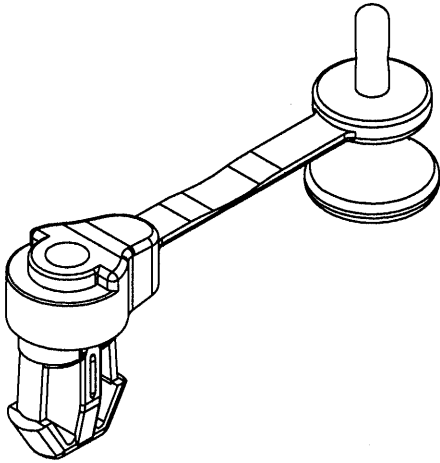


Patented Product

專利產品

REVISIONS			
REV	DESCRIPTION	DATE	BY



RECOMMEND MOUNTING HOLE $\begin{matrix} +0 \\ -0.05 \end{matrix}$
 RECOMMEND THICKNESS: 4.2mm

- NOTE: 1. MADE OF EQUIVALENT MATERIAL.
 可使用同等材質。
 2. SLIGHT DEFORMED IS NORMAL STATUS.
 輕微變形為正常現象。



康揚企業股份有限公司
 KANG YANG HARDWARE ENTERPRISE CO., LTD.
 康揚塑膠(東莞)有限公司
 KANG YANG PLASTIC(DONG GUAN) CO., LTD.
 康哲電腦配件(吳江)有限公司
 KANG CHE COMPUTER COMPONENTS(WUJIANG) CO., LTD.

TITLE	SPACER SUPPORT	SPEC. DWG.
MATERIAL	NYLON 66 UL94V-0	DATE 2018.01.08
FINISH		DRAWN Shean
COLOR	BLUE(PANTONE 285C)	CHECK
UNLESS OTHERWISE SPECIFIED TOLERANCE	SEE ABOVE	APPROVED Kang

PART NUMBER	ULCO2.5-4.2V0BU	DRAWING NUMBER	ULCO2.5-4.2
SIZE	A4	SCALE	3:1
UNIT	mm	REV	B