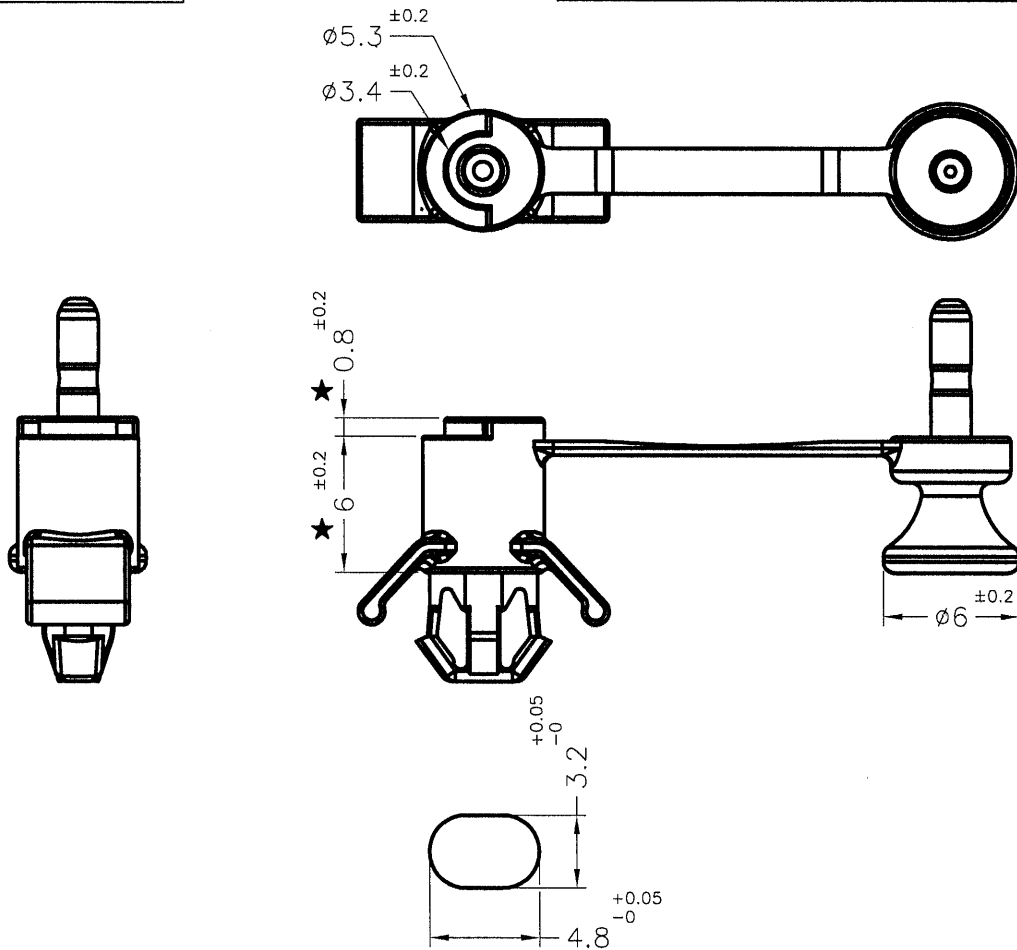


Patented Product

專利產品


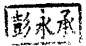
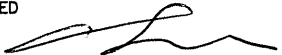
REVISIONS			
REV	DESCRIPTION	DATE	BY



RECOMMEND MOUNTING HOLE
 RECOMMEND THICKNESS: $1.6 \sim 2.2 \text{mm}$ $\begin{matrix} +0 \\ -0.05 \end{matrix}$

PART NO.	COLOR
ULCOB-1(GR)	GREEN
ULCOB-1(BU)	BLUE(PANTONE 7452C)
ULCOB-1(B)	BLACK

- NOTE: 1. MADE OF EQUIVALENT MATERIAL.
 均可使用同等材質
2. SHRINKING IS NORMAL STATUS.
 內縮為正常現象。
3. THE COLOR BATCH TEST REPORT IS ONLY FOR TEST PURPOSE.
 色母環保檢測報告, 僅提供原始測試報告。

 康揚企業股份有限公司 KANG YANG HARDWARE ENTERPRISE CO., LTD. 康揚塑膠(東莞)有限公司 KANG YANG PLASTIC(DONG GUAN) CO., LTD. 康哲電腦配件(吳江)有限公司 KANG CHE COMPUTER COMPONENTS(WUJIANG) CO., LTD.		TITLE	SPACER SUPPORT	SPEC. DWG.			
		MATERIAL	NYLON 66 UL94V-2	DATE	2016.11.03		
		FINISH		DRAWN	K.W		
		COLOR	SEE ABOVE	CHECK			
PART NUMBER	SEE ABOVE	DRAWING NUMBER	ULCOB-1	UNLESS OTHERWISE SPECIFIED TOLERANCE	SEE ABOVE	APPROVED	
SIZE	A4	SCALE	3:1	UNIT	mm	REV	B