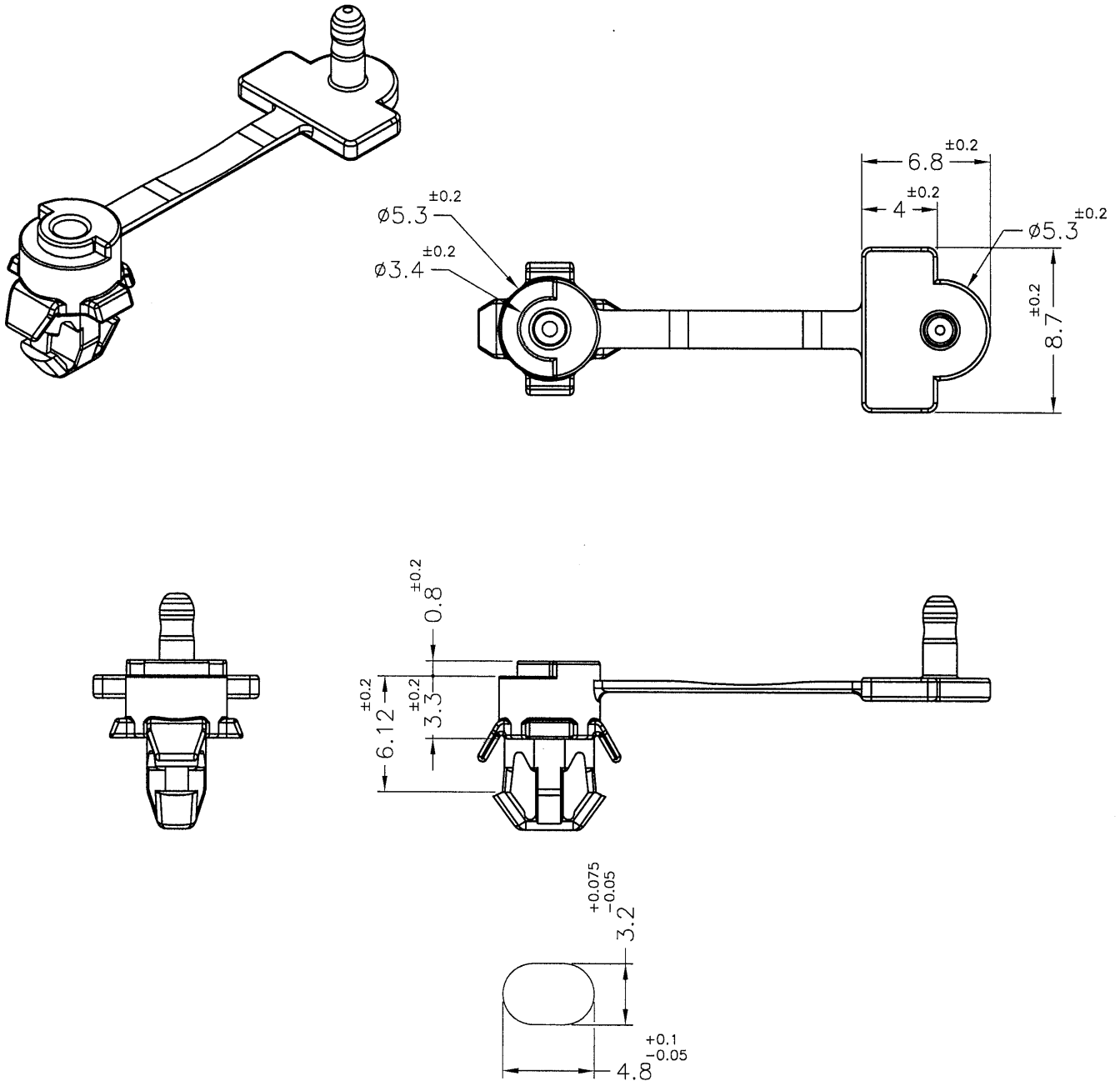


Patented Product


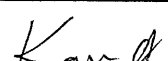
專利產品

REVISIONS			
REV	DESCRIPTION	DATE	BY



NOTE: 1. MADE OF EQUIVALENT MATERIAL.  
 均可使用同等材質  
 2. SHRINKING IS NORMAL STATUS.  
 內縮為正常現象

MOUNTING HOLE  
 THICKNESS: 2.27

 康揚企業股份有限公司 KANG YANG HARDWARE ENTERPRISE CO., LTD. 康揚塑膠(東莞)有限公司 KANG YANG PLASTIC(DONG GUAN )CO.,LTD. 康哲電腦配件(吳江)有限公司 KANG CHE COMPUTER COMPONENTS(WUJIANG) CO.,LTD.		TITLE	SPACER SUPPORT	SPEC. DWG.
		MATERIAL	NYLON 66 UL94V-0	DATE
PART NUMBER		FINISH	DRAWN	Summer
ULCOB3.3-2.3V0GR		COLOR	CHECK	薛梅
DRAWING NUMBER		UNLESS OTHERWISE SPECIFIED TOLERANCE	APPROVED	
SIZE	SCALE	SEE ABOVE		
A4	3:1			
UNIT	REV			
mm	A			