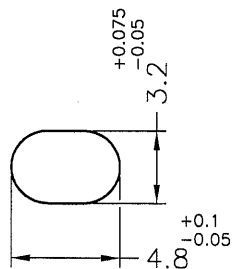
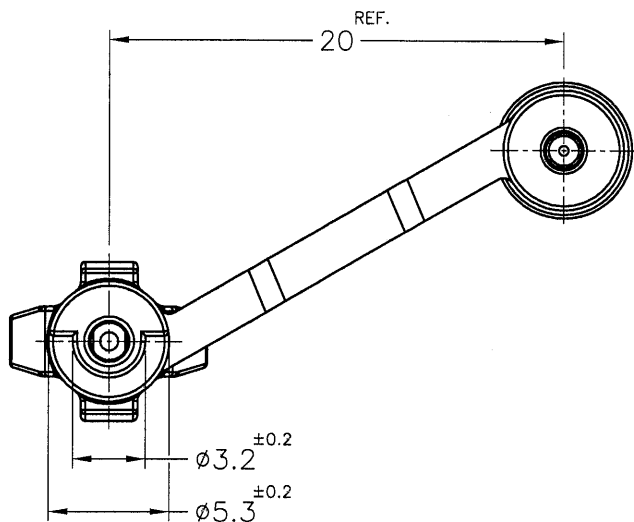


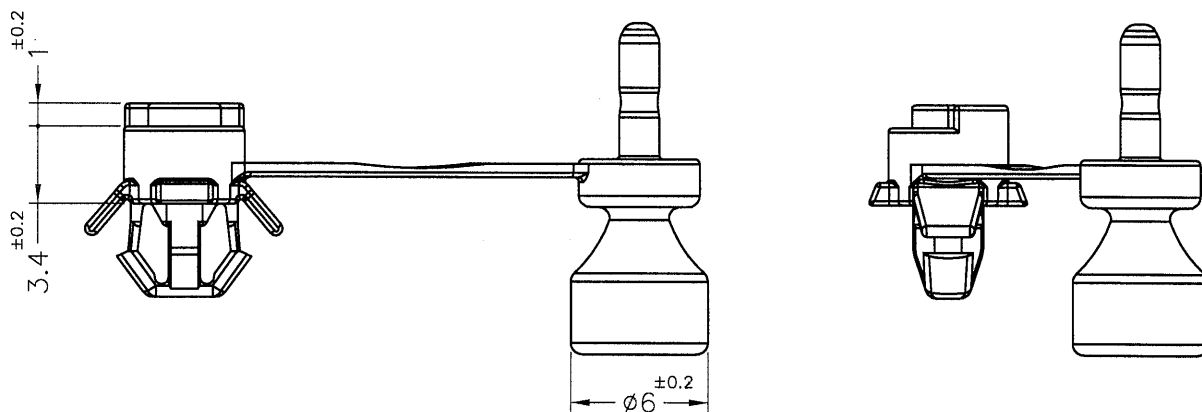
Patented Product

專利產品


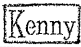
REVISIONS			
REV	DESCRIPTION	DATE	BY



MOUNTING HOLE
CHASSIS THICKNESS 1.6^{±0.16}



NOTE:1. MADE OF EQUIVALENT MATERIAL.
均可使用同等材質
2. SHRINKING IS NORMAL STATUS.
內縮為正常現象

 <p>康揚企業股份有限公司 KANG YANG HARDWARE ENTERPRISE CO., LTD. 康揚塑膠(東莞)有限公司 KANG YANG PLASTIC(DONG GUAN) CO., LTD. 康哲電腦配件(吳江)有限公司 KANG CHE COMPUTER COMPONENTS(WUJIANG) CO., LTD.</p>	TITLE SPACER SUPPORT		SPEC. DWG.	
	MATERIAL NYLON 66 UL94V-2		DATE 2015.08.19	
	FINISH		DRAWN K.W	
	COLOR BLUE(PANTONE CODE 285C)		CHECK 	
PART NUMBER ULCOB3.4-1.6BU	DRAWING NUMBER ULCOB3.4-1.6		UNLESS OTHERWISE SPECIFIED TOLERANCE SEE ABOVE	
SIZE A4	SCALE 3:1	UNIT mm	REV A	APPROVED 