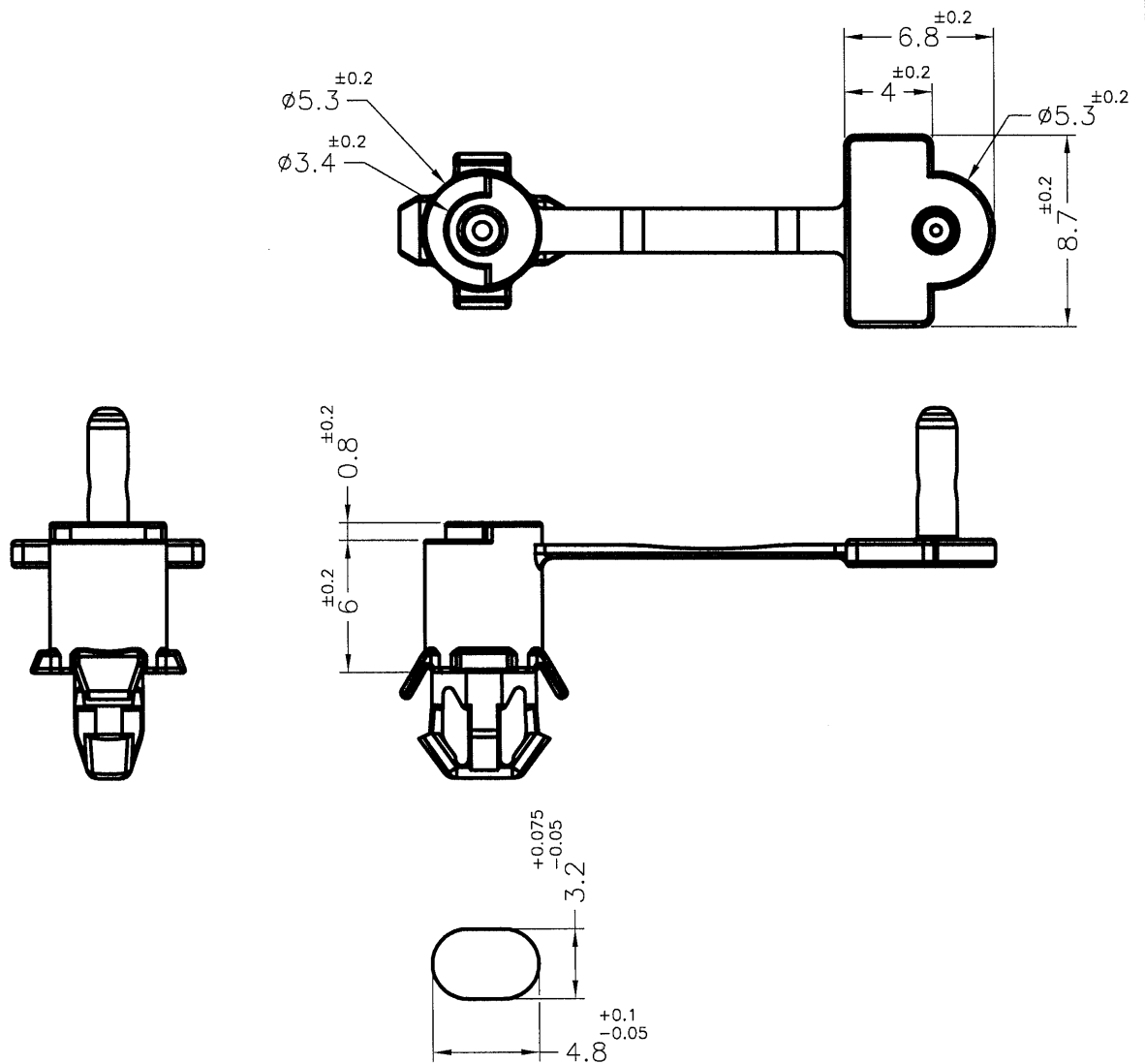


Patented Product

專利產品

REVISIONS


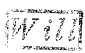
REV	DESCRIPTION	DATE	BY



MOUNTING HOLE  
THICKNESS: 2.27mm

PART NO.	COLOR
ULCOB6-2.3(BU)	BLUE(PANTONE 2718C)
ULCOB6-2.3(GR)	GREEN(PANTONE 375C)

NOTE:1. MADE OF EQUIVALENT MATERIAL.  
均可使用同等材質  
2. SHRINKING IS NORMAL STATUS.  
內縮為正常現象

 <p>康揚企業股份有限公司 KANG YANG HARDWARE ENTERPRISE CO., LTD. 康揚塑膠(東莞)有限公司 KANG YANG PLASTIC(DONG GUAN) CO.,LTD. 康哲電腦配件(吳江)有限公司 KANG CHE COMPUTER COMPONENTS(WUJIANG) CO.,LTD.</p>	TITLE SPACER SUPPORT		SPEC. DWG.	
	MATERIAL NYLON 66 UL94V-2		DATE 2016.01.18	
	FINISH		DRAWN K.W	
	COLOR SEE ABOVE		CHECK 	
PART NUMBER SEE ABOVE	DRAWING NUMBER ULCOB6-2.3		UNLESS OTHERWISE SPECIFIED TOLERANCE SEE ABOVE	
SIZE A4	SCALE 3:1	UNIT mm	REV A	APPROVED 