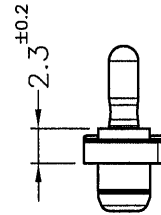
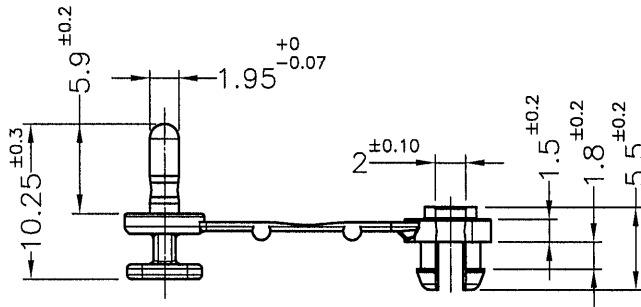
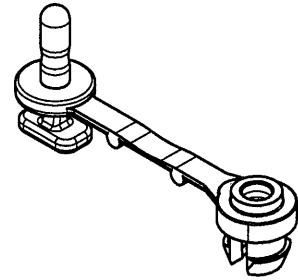
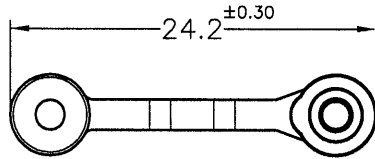



REVISIONS			
REV	DESCRIPTION	DATE	BY



HOLE IN CHASSIS: $\phi 4$
 CHASSIS THICKNESS: 1.6mm

PART NO.	MATERIAL	COLOR
ULCOC-2	NYLON 66 UL94V-2	NATURAL
ULCOC-2V0	NYLON 66 UL94V-0	NATURAL(WHITE)

NOTE:MADE OF EQUIVALENT MATERIAL.
 可使用同等材質.

 康揚企業股份有限公司 KANG YANG HARDWARE ENTERPRISE CO., LTD. 康揚塑膠(東莞)有限公司 KANG YANG PLASTIC(DONG GUAN)CO.,LTD. 康哲電腦配件(吳江)有限公司 KANG CHE COMPUTER COMPONENTS(WUJIANG) CO.,LTD.				TITLE	SPEC. DWG.
				SPACER SUPPORT	
PART NUMBER		DRAWING NUMBER	COLOR	DATE	
SEE ABOVE		ULCOC-2	SEE ABOVE	2017.01.24	
SIZE	SCALE	UNIT	FINISH	DRAWN	
A4	2:1	mm		Mamie	
REV	UNLESS OTHERWISE SPECIFIED TOLERANCE		CHECK	APPROVED	
A	SEE ABOVE		林祺翔	Kang	