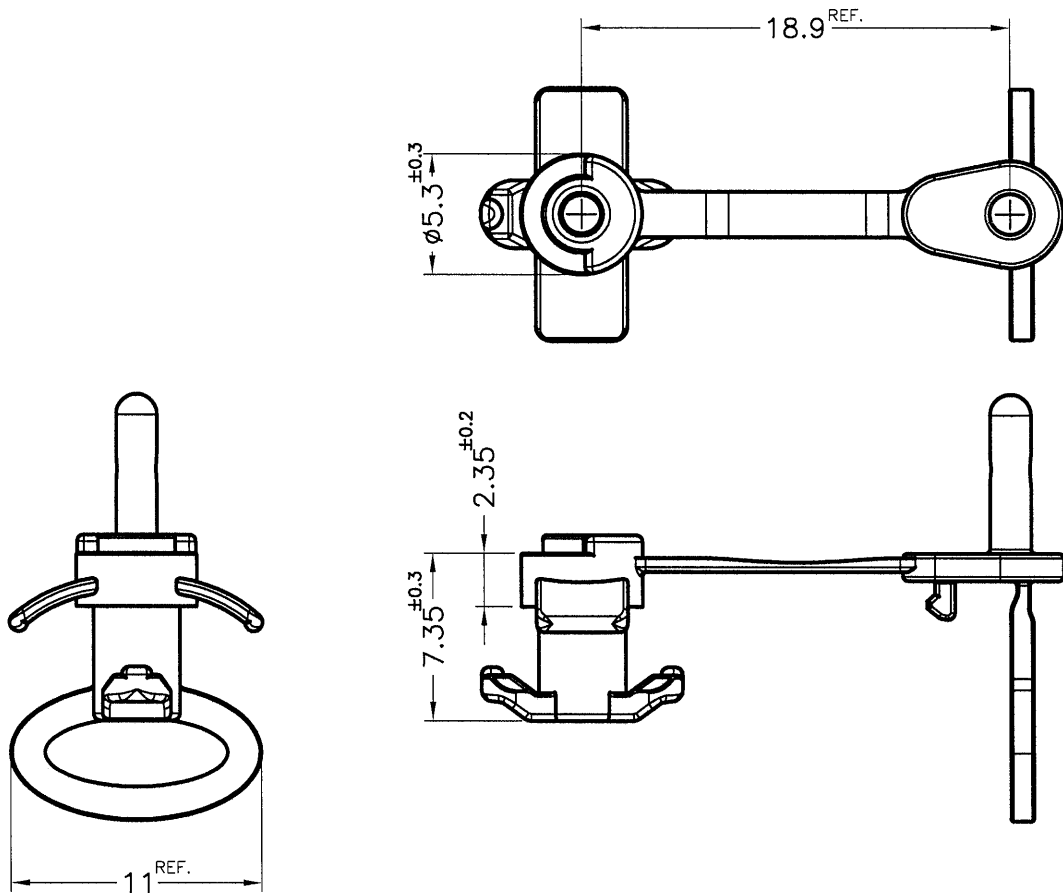


Patented Product

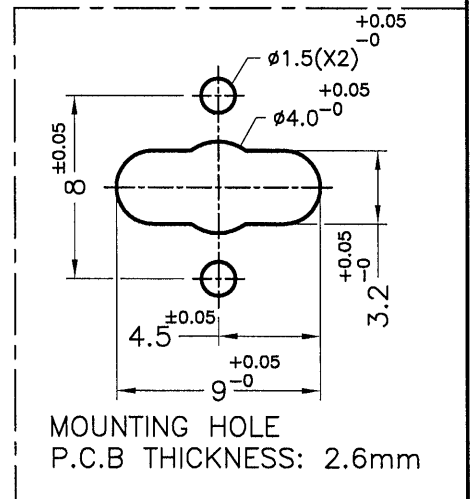
專利產品


REVISIONS

REV	DESCRIPTION	DATE	BY



NOTE: 1. SHRINKING IS NORMAL STATUS.
 內縮屬正常現象.
 2. MADE OF EQUIVALENT MATERIAL.
 均可使用同等材質.



 康揚企業股份有限公司 KANG YANG HARDWARE ENTERPRISE CO., LTD. 康揚塑膠(東莞)有限公司 KANG YANG PLASTIC(DONG GUAN) CO., LTD. 康哲電腦配件(吳江)有限公司 KANG CHE COMPUTER COMPONENTS(WUJIANG) CO., LTD.				TITLE	SPACER SUPPORT	SPEC. DWG.
				MATERIAL	NYLON 66 UL94V-0	DATE
PART NUMBER				FINISH	DRAWN	
ULCOC2.4-2.6VBU				COLOR	BLUE	
DRAWING NUMBER				UNLESS OTHERWISE SPECIFIED TOLERANCE	CHECK	
ULCOC2.4-2.6				SEE ABOVE	Will	
SIZE	SCALE	UNIT	REV	APPROVED	Kang	
A4	3:1	mm	A			