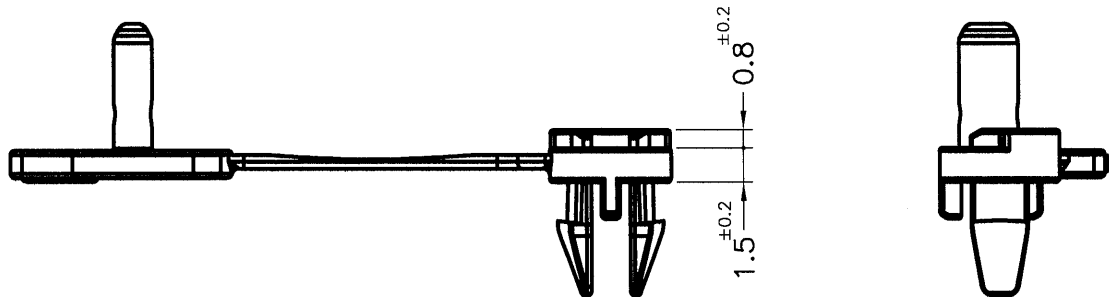
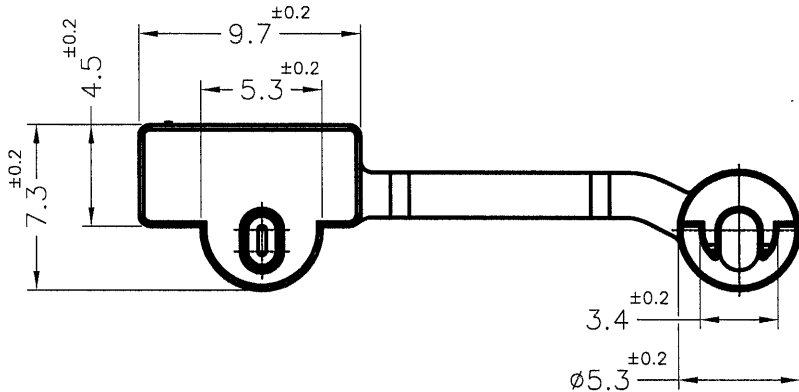
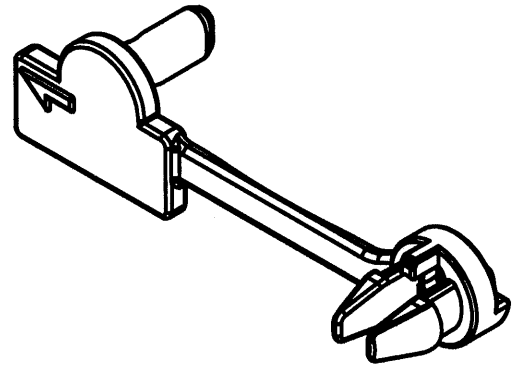
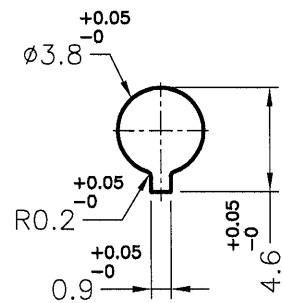


Patented Product
專利產品

| REVISIONS | | | |
|-----------|-------------|------|----|
| REV | DESCRIPTION | DATE | BY |
| | | | |
| | | | |




| PART NO. | COLOR |
|-------------|-------|
| ULCOD-1(B) | BLACK |
| ULCOD-1(BU) | BLUE |



NOTE: 1. MADE OF EQUIVALENT MATERIAL.
均可使用同等材質
2. SHRINKING IS NORMAL STATUS.
內縮為正常現象

MOUNTING HOLE
CHASSIS THICKNESS: 1.6mm

| | | | | | |
|--|----------------|--------------------------------------|-------------|-------------|------------|
|  <p>康揚企業股份有限公司 KANG YANG HARDWARE ENTERPRISE CO., LTD. 康揚塑膠(東莞)有限公司 KANG YANG PLASTIC(DONG GUAN) CO., LTD. 康哲電腦配件(吳江)有限公司 KANG CHE COMPUTER COMPONENTS(WUJIANG) CO., LTD.</p> | | | | TITLE | SPEC. DWG. |
| | | | | MATERIAL | DATE |
| | | | | FINISH | DRAWN |
| | | | | COLOR | CHECK |
| PART NUMBER | DRAWING NUMBER | UNLESS OTHERWISE SPECIFIED TOLERANCE | APPROVED | | |
| SEE ABOVE | ULCOD-1 | SEE ABOVE | <i>Will</i> | | |
| SIZE | SCALE | UNIT | REV | | |
| A4 | 3:1 | mm | B | <i>Kang</i> | |