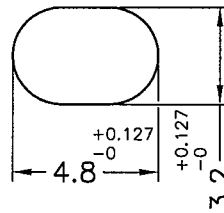
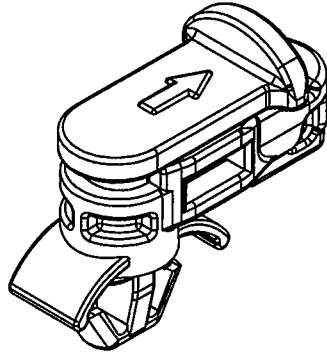
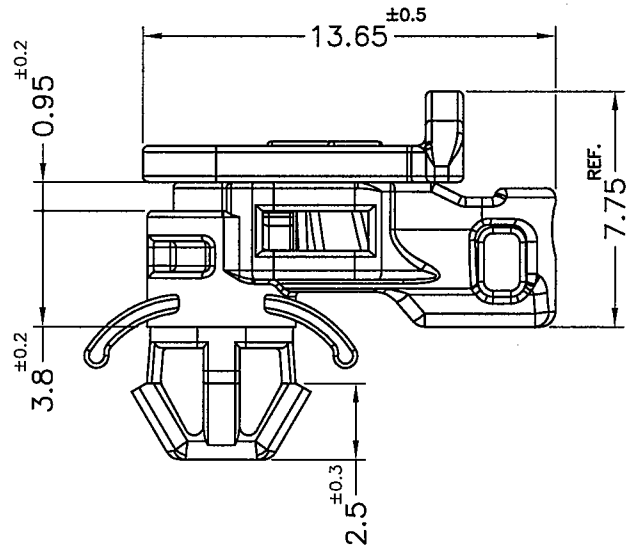
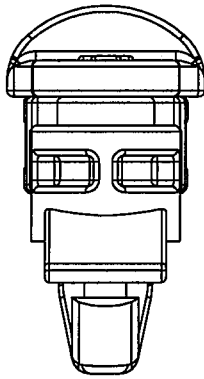
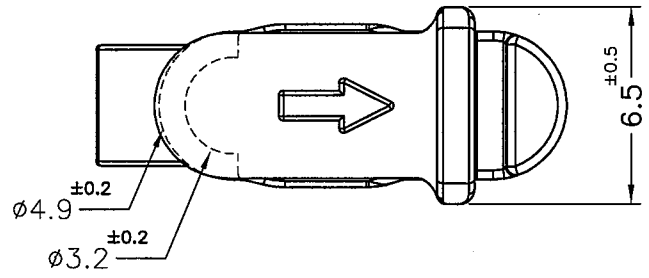


Patented Product
專利產品



RECOMMEND MOUNTING HOLE $\begin{matrix} +0 \\ -0.05 \end{matrix}$
RECOMMEND THICKNESS: 1.6mm

COMPONENT NAME	MATERIAL	COLOR	FINISH
LATCH-BASE	NYLON 66 UL94V-0	BLACK	
LATCH-COVER	NYLON 66 UL94V-0+GF	BLUE	
LATCH-SPRING	SWP		NI PLATED



康揚企業股份有限公司
KANG YANG HARDWARE ENTERPRISE CO., LTD.
康揚塑膠(東莞)有限公司
KANG YANG PLASTIC(DONG GUAN)CO., LTD.
康哲電腦配件(吳江)有限公司
KANG CHE COMPUTER COMPONENTS(WUJIANG)CO.,LTD.

NOTE: 1. MADE OF EQUIVALENT MATERIAL.
均可使用同等材質。
2. SLIGHT DEFORMED IS NORMAL STATUS.
輕微變形為正常現象。

PROPRIETARY AND CONFIDENTIAL THE INFORMATION CONTAINED IN THIS DRAWING IS THE SOLE PROPERTY OF KANG YANG HARDWARE ENTERPRISE CO. ANY REPRODUCTION IN PART OR AS A WHOLE WITHOUT THE WRITTEN PERMISSION OF KANG YANG HARDWARE ENTERPRISE CO. IS PROHIBITED. DO NOT SCALE DRAWING	DATE 2019.09.04	TITLE LATCH	DWG. NO. ULCOF-10	PART NO. ULCOF-10V0BF
	DRAWN K.W	MATERIAL SEE ABOVE	SIZE A4	REV A
	CHECKED Kenny	COLOR SEE ABOVE	FINISH SEE ABOVE	SPEC. DWG
	APPROVED <i>[Signature]</i>	UNLESS OTHERWISE SPECIFIED TOLERANCE: SEE ABOVE	SCALE: 4:1	UNIT mm