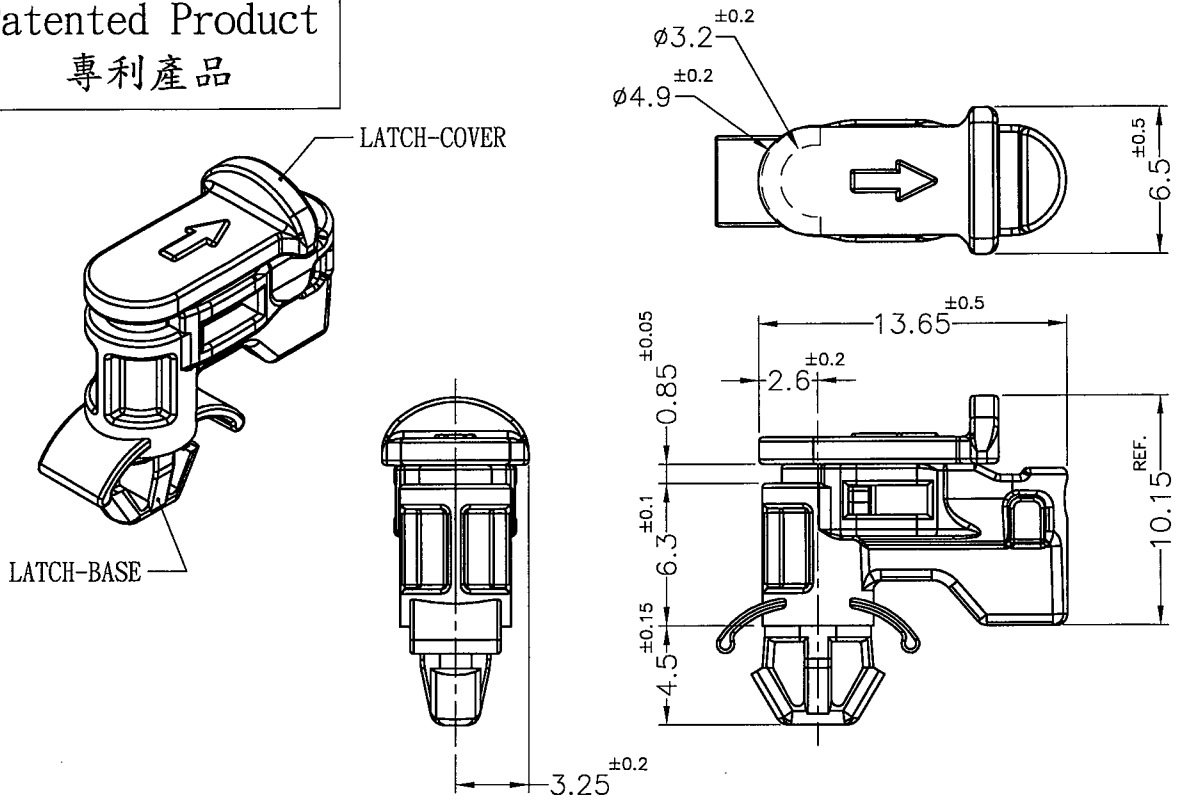
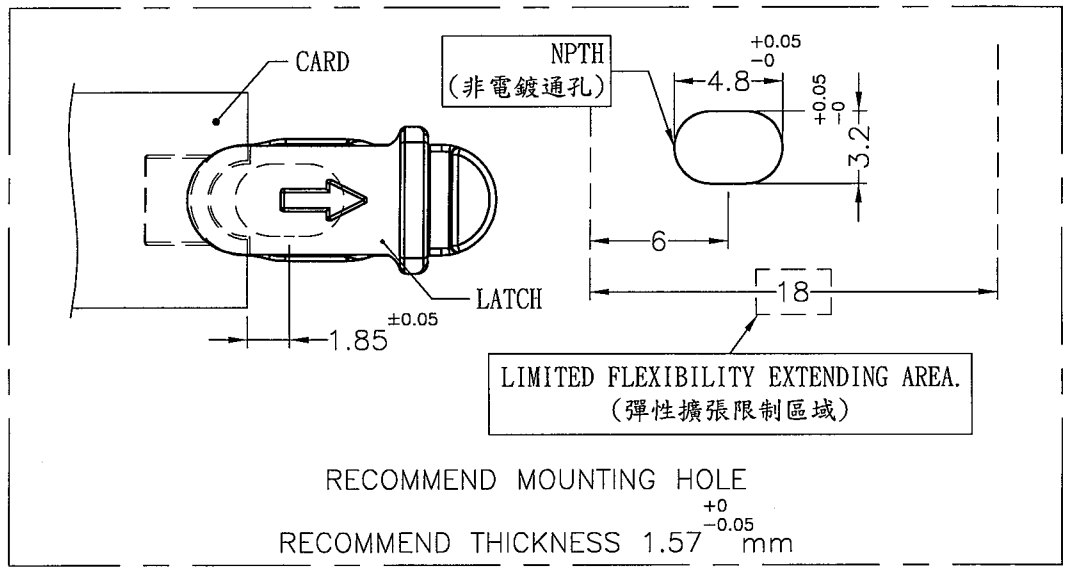


Patented Product
專利產品



COMPONENT NAME	MATERIAL	COLOR/FINISH
LATCH-BASE	NYLON 66 UL94V-0	GRAY (PANTONE 429C)
LATCH-COVER	NYLON 66 UL94V-0+GF	
LATCH-SPRING	SWP	NI PLATED



- NOTE: 1. SHRINKING IS NORMAL STATUS.
內縮為正常現象。
2. MADE OF EQUIVALENT MATERIAL.
均可使用同等材質。
3. THE COLOR BATCH TEST REPORT IS ONLY FOR FIRST LOT TEST.
色母環保檢測報告, 僅提供原始測試報告。

K
ISO 9001
ISO 14001
QC 080000
IATF 16949

康揚企業股份有限公司
KANG YANG HARDWARE ENTERPRISE CO., LTD.
康揚塑膠(東莞)有限公司
KANG YANG PLASTIC(DONG GUAN)CO., LTD.
康哲電腦配件(吳江)有限公司
KANG CHE COMPUTER COMPONENTS(WUJIANG)CO., LTD.

PROPRIETARY AND CONFIDENTIAL THE INFORMATION CONTAINED IN THIS DRAWING IS THE SOLE PROPERTY OF KANG YANG HARDWARE ENTERPRISE CO. ANY REPRODUCTION IN PART OR AS A WHOLE WITHOUT THE WRITTEN PERMISSION OF KANG YANG HARDWARE ENTERPRISE CO. IS PROHIBITED. DO NOT SCALE DRAWING	DATE	TITLE		DWG. NO.	PART NO.	
	2021.10.13	LATCH		ULCOF-17VGF	ULCOF-17VGF	
	DRAWN	MATERIAL		SIZE	SPEC. DWG	REV
	Y.C.P	SEE ABOVE				
CHECKED	COLOR	FINISH	SCALE: 3:1	UNIT	mm	SHEET 1 OF 1
林漢強	SEE ABOVE	SEE ABOVE				
APPROVED	UNLESS OTHERWISE SPECIFIED TOLERANCE:		SEE ABOVE			
Kang						