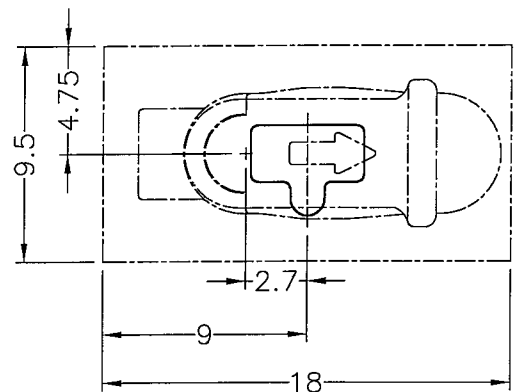
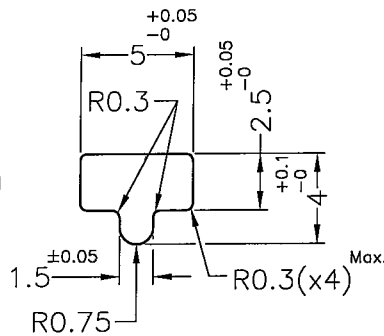
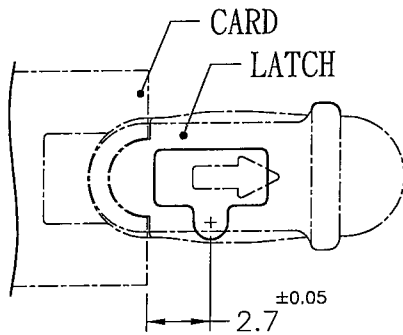
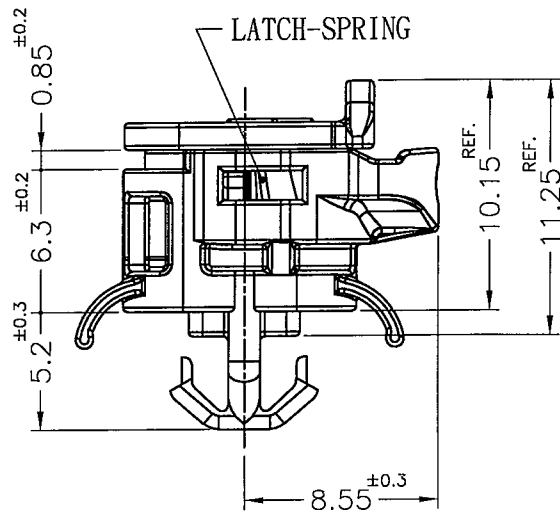
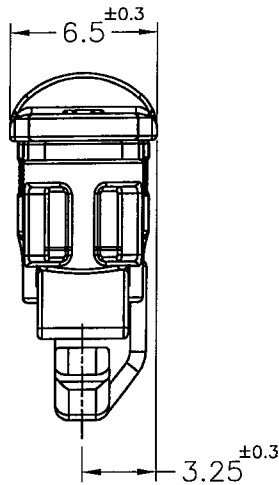
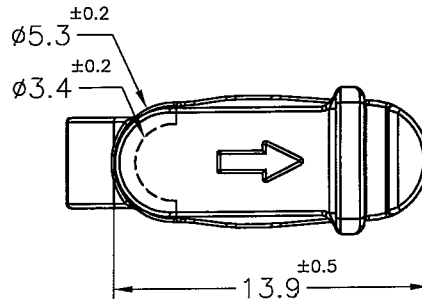
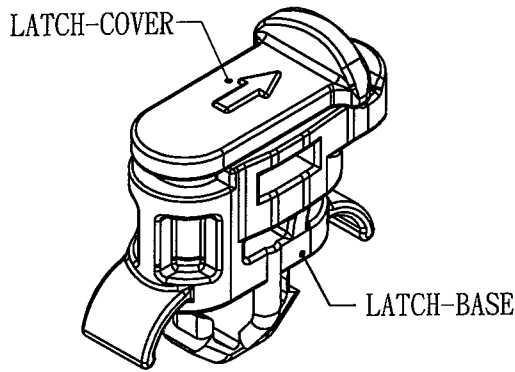


Patented Product
專利產品



RECOMMEND MOUNTING HOLE
RECOMMEND THICKNESS: 1.93~2.4 mm

Limited flexibility
extending area.
(18x9.5為彈性擴張限制區域)

- NOTE: 1. THE COLOR BATCH TEST REPORT IS ONLY FOR FIRST LOT TEST.
色母環保檢測報告, 僅提供原始測試報告.
2. MADE OF EQUIVALENT MATERIAL.
均可使用同等材質.
3. SLIGHT DEFORMED IS NORMAL STATUS.
輕微變形為正常現象.



康揚企業股份有限公司
KANG YANG HARDWARE ENTERPRISE CO., LTD.
康揚塑膠(東莞)有限公司
KANG YANG PLASTIC(DONG GUAN)CO.,LTD.
康哲電腦配件(吳江)有限公司
KANG CHE COMPUTER COMPONENTS(WUJIANG)CO.,LTD.

PROPRIETARY AND CONFIDENTIAL THE INFORMATION CONTAINED IN THIS DRAWING IS THE SOLE PROPERTY OF KANG YANG HARDWARE ENTERPRISE CO., ANY REPRODUCTION IN PART OR AS A WHOLE WITHOUT THE WRITTEN PERMISSION OF KANG YANG HARDWARE ENTERPRISE CO. IS PROHIBITED. DO NOT SCALE DRAWING	DATE	TITLE	DWG. NO.	PART NO.	
	2022.12.20	LATCH	ULCOF-21L	ULCOF-21LV0F	
	DRAWN	LATCH BASE MATERIAL / COLOR	SIZE A4	SPEC. DWG.	REV A
	L.K.J.	NYLON 66 UL94V-0 /BLACK			
CHECKED	LATCH COVER MATER / COLOR	SCALE: 3:1		UNIT	SHEET 1 OF 1
林祺翔	NYLON 66 UL94V-0+GF / BLUE	mm			
APPROVED	LATCH SPRING MATERIAL / FINISH				
Kang	SWP / NICKLE PLATED				