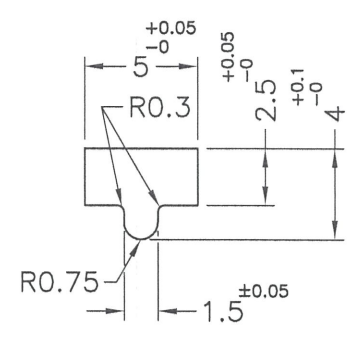
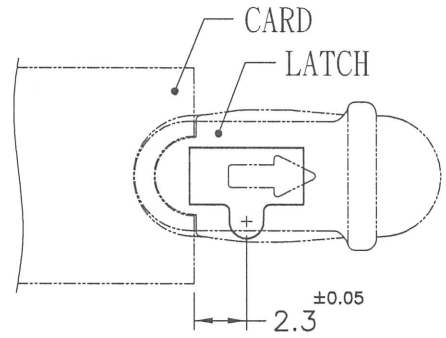
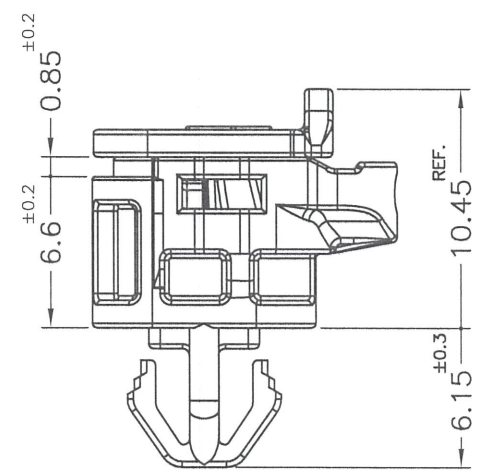
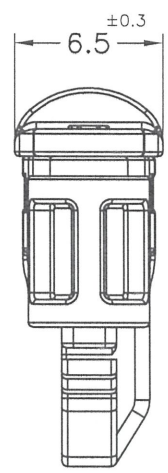
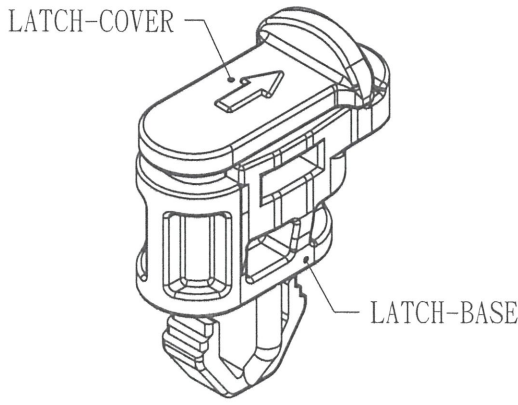
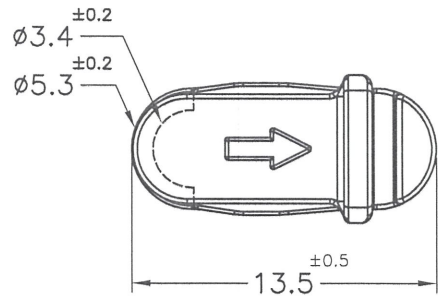


Patented Product  
專利產品



RECOMMEND MOUNTING HOLE  
RECOMMEND THICKNESS: 1.8, 2.2mm

NOTE: 1. THE COLOR BATCH TEST REPORT IS ONLY FOR TEST PURPOSE.  
色母環保檢測報告, 僅提供原始測試報告。  
2. SLIGHT DEFORMED IS NORMAL STATUS.  
輕微變形為正常現象。  
3. MADE OF EQUIVALENT MATERIAL.  
均可使用同等材質。

符合歐盟ROHS規範 (RoHS Compliant)	
★ 鉛Pb	<1000PPM
★ 鎘Cd	< 100PPM
★ 汞Hg	<1000PPM
★ 六價鉻Cr6+	<1000PPM
★ 多溴聯苯類PBBs	<1000PPM
★ 多溴聯苯醚類PBDEs	<1000PPM



康揚企業股份有限公司  
KANG YANG HARDWARE ENTERPRISE CO., LTD.  
康揚塑膠(東莞)有限公司  
KANG YANG PLASTIC(DONG GUAN)CO., LTD.  
康哲電腦配件(吳江)有限公司  
KANG CHE COMPUTER COMPONENTS(WUJIANG)CO., LTD.

PROPRIETARY AND CONFIDENTIAL THE INFORMATION CONTAINED IN THIS DRAWING IS THE SOLE PROPERTY OF KANG YANG HARDWARE ENTERPRISE CO. ANY REPRODUCTION IN PART OR AS A WHOLE WITHOUT THE WRITTEN PERMISSION OF KANG YANG HARDWARE ENTERPRISE CO. IS PROHIBITED.  DO NOT SCALE DRAWING	DATE	2019.03.25	TITLE	SPACER SUPPORT		DWG. NO.	PART NO.	
	DRAWN	K.W	LATCH BASE MATERIAL / COLOR	NYLON66 UL94V-0 / BLACK		ULCOF-6		ULCOF-6V0F
	CHECKED		LATCH COVER MATERIAL / COLOR	NYLON66 UL94V-0+GF / BLUE		SIZE	SPEC. DWG	REV
	APPROVED		SPRING MATERIAL / FINISH	SWP / NICKLE PLATED		A4		A
			SCALE: 3:1	UNIT	mm	SHEET 1 OF 1		