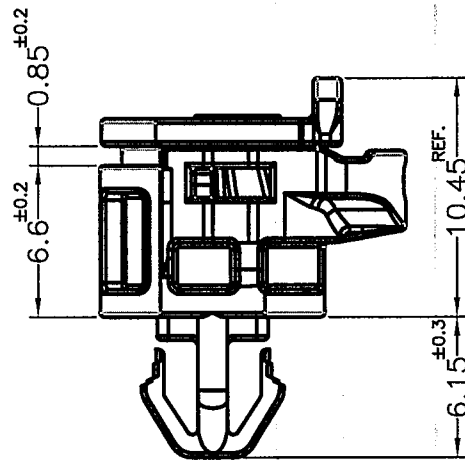
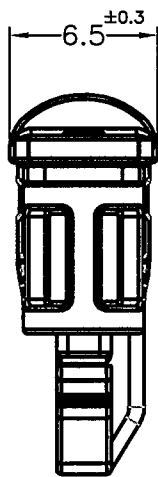
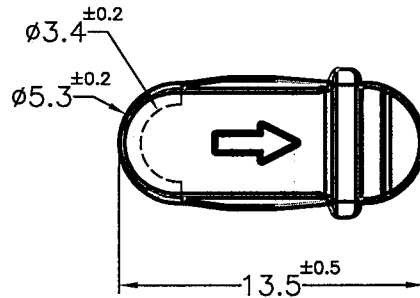
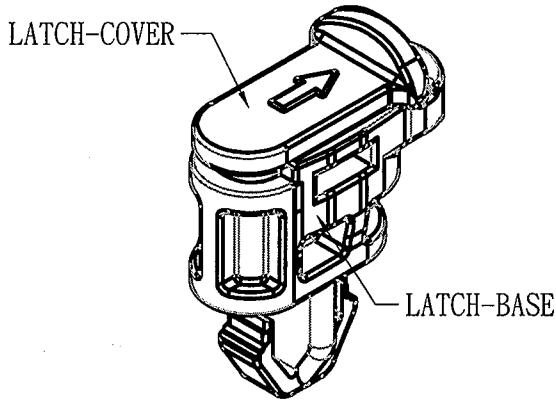
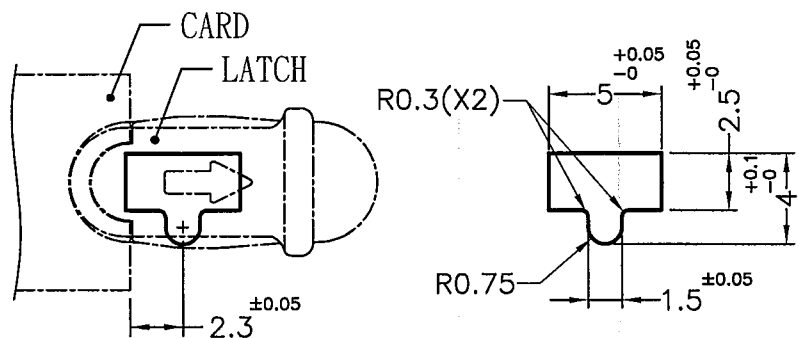


Patented Product
專利產品



- NOTE: 1. THE COLOR BATCH TEST REPORT IS ONLY FOR FIRST LOT TEST.
色母環保檢測報告, 僅提供原始測試報告.
2. SHRINKING IS NORMAL STATUS.
內縮屬正常現象.
3. MADE OF EQUIVALENT MATERIAL.
可使用同等材質.



RECOMMEND MOUNTING HOLE
RECOMMEND THICKNESS 2.36~2.55mm



康揚企業股份有限公司
KANG YANG HARDWARE ENTERPRISE CO., LTD.
康揚塑膠(東莞)有限公司
KANG YANG PLASTIC(DONG GUAN)CO.,LTD.
康哲電腦配件(吳江)有限公司
KANG CHE COMPUTER COMPONENTS(WUJIANG)CO.,LTD.

PROPRIETARY AND CONFIDENTIAL THE INFORMATION CONTAINED IN THIS DRAWING IS THE SOLE PROPERTY OF KANG YANG HARDWARE ENTERPRISE CO. ANY REPRODUCTION IN PART OR AS A WHOLE WITHOUT THE WRITTEN PERMISSION OF KANG YANG HARDWARE ENTERPRISE CO. IS PROHIBITED. DO NOT SCALE DRAWING	DATE	2020.07.21	TITLE	LATCH	DWG. NO.	PART NO.		
	DRAWN	Louis	LATCH BASE MATERIAL / COLOR	NYLON66 UL94V-0 / BLACK	ULCOF-6L	ULCOF-6LV0F		
	CHECKED	林祺翔	LATCH COVER MATERIAL / COLOR	NYLON66 UL94V-0+GF / BLUE	SIZE	SPEC.	DWG.	REV
	APPROVED	Kang	SPRING MATERIAL / FINISH	SWP / NICKLE PLATED	A4			A
					SCALE: 3:1	UNIT	mm	SHEET 1 OF 1