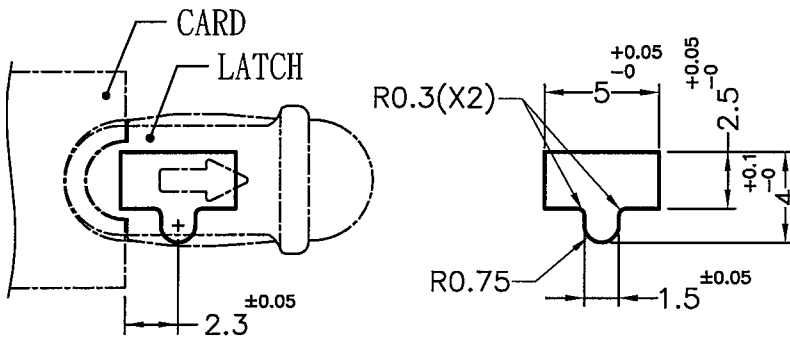
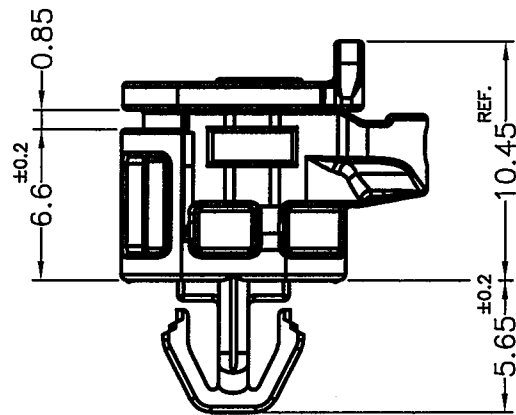
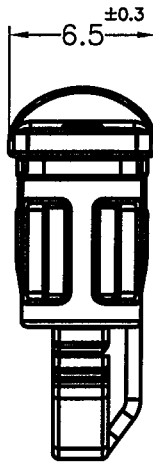
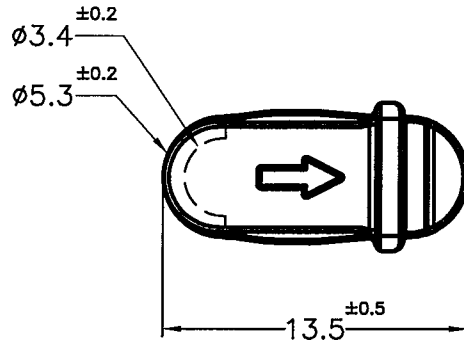
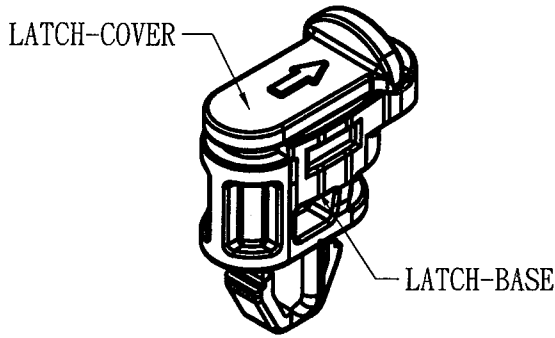


Patented Product
專利產品



RECOMMEND MOUNTING HOLE
RECOMMEND THICKNESS 1.6mm

NOTE: 1. SHRINKING IS NORMAL STATUS.

內縮為正常現象。

2. MADE OF EQUIVALENT MATERIAL.

均可使用同等材質。

3. THE COLOR BATCH TEST REPORT IS ONLY FOR TEST PURPOSE.

色母環保檢測報告, 僅提供原始測試報告。



康揚企業股份有限公司
KANG YANG HARDWARE ENTERPRISE CO., LTD.
康揚塑膠(東莞)有限公司
KANG YANG PLASTIC(DONG GUAN)CO., LTD.
康哲電腦配件(吳江)有限公司
KANG CHE COMPUTER COMPONENTS(WUJIANG)CO., LTD.

| | | | | | | | | |
|---|----------|------------|------------------------------|----------------------------|----|--------------|--------------|-----|
| PROPRIETARY AND CONFIDENTIAL THE INFORMATION CONTAINED IN THIS DRAWING IS THE SOLE PROPERTY OF KANG YANG HARDWARE ENTERPRISE CO. ANY REPRODUCTION IN PART OR AS A WHOLE WITHOUT THE WRITTEN PERMISSION OF KANG YANG HARDWARE ENTERPRISE CO. IS PROHIBITED. DO NOT SCALE DRAWING | DATE | 2020.08.21 | TITLE | LATCH | | DWG. NO. | PART NO. | |
| | DRAWN | Y.C.P | LATCH BASE MATERIAL / COLOR | NYLON66 UL94V-0 / BLACK | | ULCOF-6S | ULCOF-6SV0BF | |
| | CHECKED | 林祺翔 | LATCH COVER MATERIAL / COLOR | NYLON66 UL94V-0+GF / BLACK | | SIZE | SPEC. DWG | REV |
| | APPROVED | Kang | SPRING MATERIAL / FINISH | SWP / NICKLE PLATED | | A4 | | B |
| | | | SCALE: 3:1 | UNIT | mm | SHEET 1 OF 1 | | |