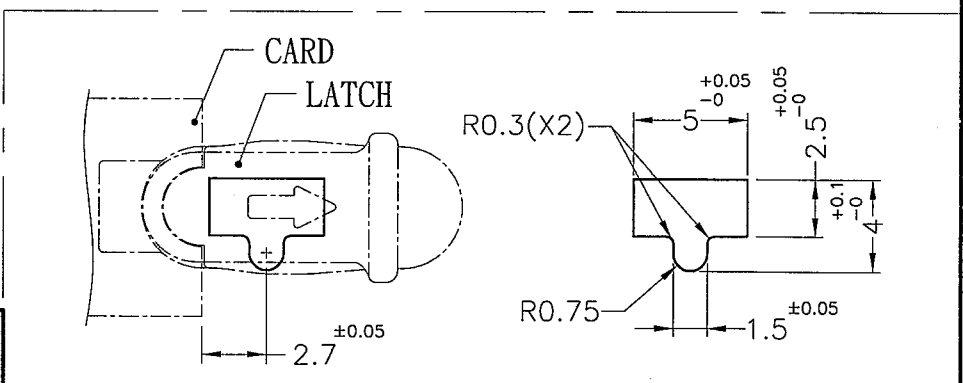


NOTE: 1. THE COLOR BATCH TEST REPORT IS ONLY FOR FIRST LOT TEST.  
 色母環保檢測報告, 僅提供原始測試報告.  
 2. SHRINKING IS NORMAL STATUS.  
 內縮屬正常現象.  
 3. MADE OF EQUIVALENT MATERIAL.  
 可使用同等材質.



RECOMMEND MOUNTING HOLE  
 RECOMMEND THICKNESS 1.93mm

**K**  
 康揚企業股份有限公司  
 KANG YANG HARDWARE ENTERPRISE CO., LTD.  
 康揚塑膠(東莞)有限公司  
 KANG YANG PLASTIC(DONG GUAN)CO., LTD.  
 康哲電腦配件(吳江)有限公司  
 KANG CHE COMPUTER COMPONENTS(WUJIANG)CO., LTD.  
 ISO 9001  
 ISO 14001  
 QC 080000  
 IATF 16949

PROPRIETARY AND CONFIDENTIAL THE INFORMATION CONTAINED IN THIS DRAWING IS THE SOLE PROPERTY OF KANG YANG HARDWARE ENTERPRISE CO. ANY REPRODUCTION IN PART OR AS A WHOLE WITHOUT THE WRITTEN PERMISSION OF KANG YANG HARDWARE ENTERPRISE CO. IS PROHIBITED. DO NOT SCALE DRAWING	DATE	2021.08.31	TITLE	LATCH	DWG. NO.	ULCOF-7	PART NO.	ULCOF-7V0F
	DRAWN	Howl	LATCH BASE MATERIAL / COLOR	NYLON66 UL94V-0 / BLACK	SIZE	A4	SPEC. DWG	REV A
	CHECKED	李柏青	LATCH COVER MATERIAL / COLOR	NYLON66 UL94V-0+GF / BLUE	SCALE: 3:1	UNIT		
	APPROVED	Kang	SPRING MATERIAL / FINISH	SWP / NICKLE PLATED			SHEET 1 OF 1	