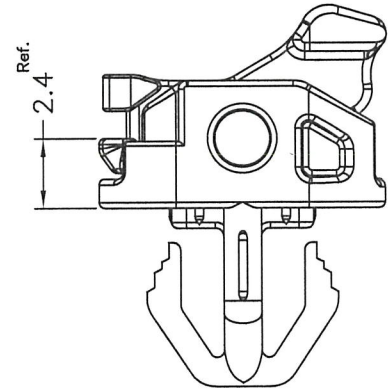
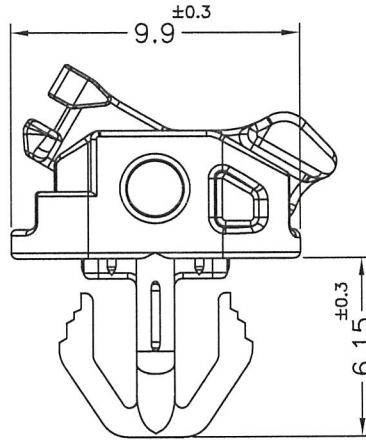
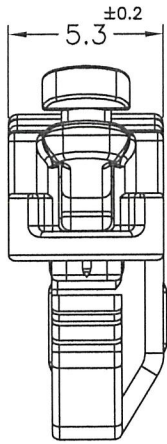
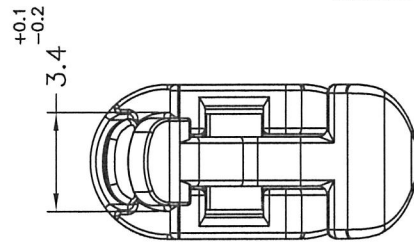
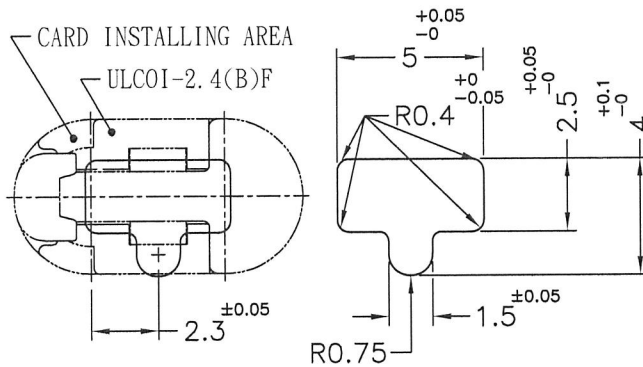


Patented Product
專利產品

REVISIONS			
REV	DESCRIPTION	DATE	BY



CLOSE



RECOMMEND MOUNTING HOLE
RECOMMEND THICKNESS: 1.8~2.2mm

NOTE: 1. MADE OF EQUIVALENT MATERIAL.

均可使用同等材質.

2. SLIGHT DEFORMED IS NORMAL STATUS.

輕微變形為正常現象.



康揚企業股份有限公司
KANG YANG HARDWARE ENTERPRISE CO., LTD.
康揚塑膠(東莞)有限公司
KANG YANG PLASTIC(DONG GUAN) CO., LTD.
康哲電腦配件(吳江)有限公司
KANG CHE COMPUTER COMPONENTS(WUJIANG) CO., LTD.

PART NUMBER ULCOI-2.4F		DRAWING NUMBER ULCOI-2.4		TITLE SPACER SUPPORT	SPEC. DWG.
SIZE A4	SCALE 4:1	UNIT mm	REV A	BODY MATERIAL NYLON 66 UL94V-2	DATE 2018.11.15
				LATCH MATERIAL NYLON 66 UL94V-0+GF	DRAWN K.W
				BODY COLOR / LATCH COLOR BLACK / BLUE	CHECK Kenny
				UNLESS OTHERWISE SPECIFIED TOLERANCE SEE ABOVE	APPROVED <i>Kang</i>