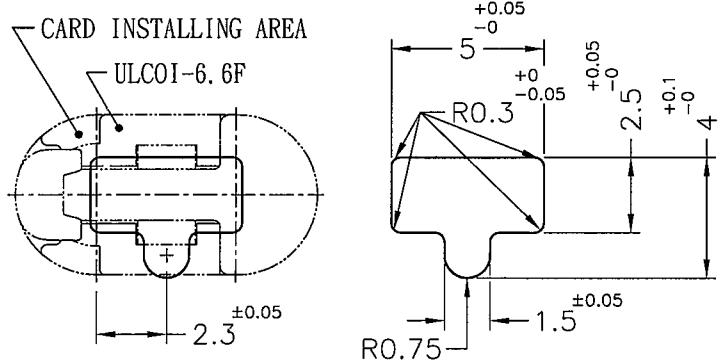
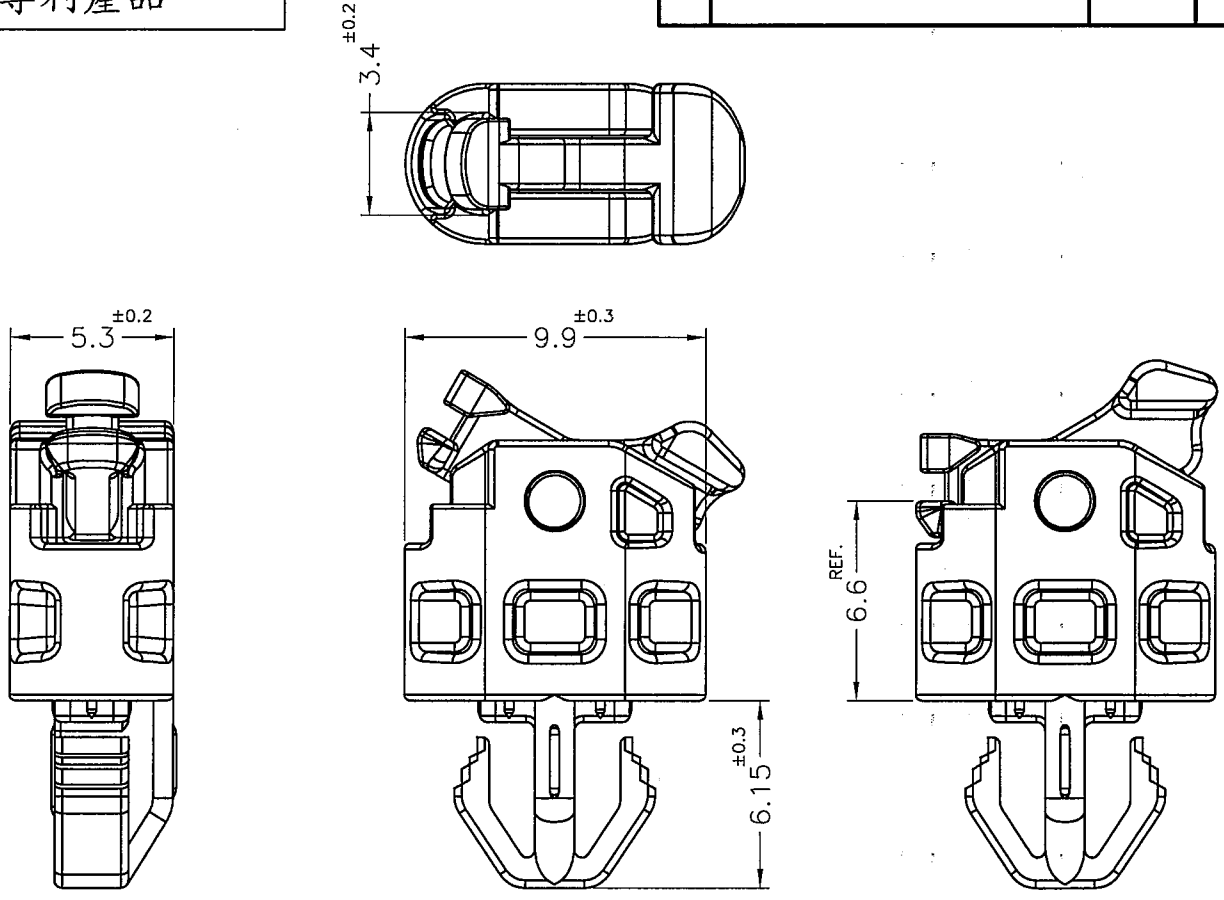



Patented Product
專利產品

REVISIONS			
REV	DESCRIPTION	DATE	BY



RECOMMEND MOUNTING HOLE
RECOMMEND THICKNESS:1.8~2.2mm

- NOTE:1. MADE OF EQUIVALENT MATERIAL.
均可使用同等材質。
2. SLIGHT DEFORMED IS NORMAL STATUS.
輕微變形為正常現象。
3. THE COLOR BATCH TEST REPORT IS ONLY FOR FIRST LOT TEST.
色母環保檢測報告, 僅提供原始測試報告。

 <p>康揚企業股份有限公司 KANG YANG HARDWARE ENTERPRISE CO., LTD. 康揚塑膠(東莞)有限公司 KANG YANG PLASTIC(DONG GUAN) CO., LTD. 康哲電腦配件(吳江)有限公司 KANG CHE COMPUTER COMPONENTS(WUJIANG) CO., LTD.</p>		TITLE SPACER SUPPORT	SPEC. DWG.
		BODY MATERIAL NYLON 66 UL94V-2	DATE 2018.11.21
PART NUMBER ULCOI-6.6F		LATCH MATERIAL NYLON 66 UL94V-0+GF	DRAWN K.W
DRAWING NUMBER ULCOI-6.6		BODY COLOR / LATCH COLOR BLACK / BLUE	CHECK 林祺翔
SIZE A4	SCALE 4:1	UNLESS OTHERWISE SPECIFIED TOLERANCE SEE ABOVE	APPROVED Kang
UNIT mm	REV A		