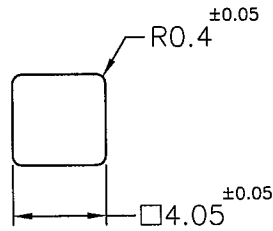
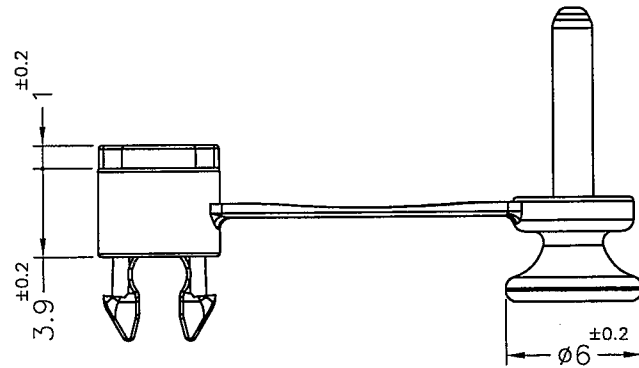
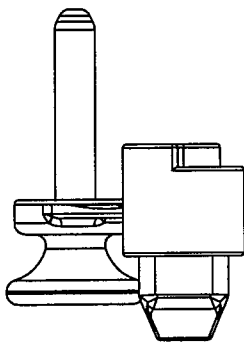
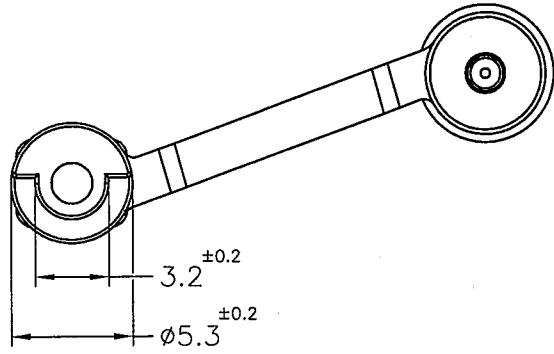


Patented Product
專利產品



RECOMMEND MOUNTING HOLE $\begin{matrix} +0 \\ -0.1 \end{matrix}$
RECOMMEND THICKNESS: 1.6mm

PART NO.	COLOR
ULCY-1	NATURAL
ULCY-1(BU)	BLUE(PANTONE CODE 285C)
ULCY-1(GR)	GREEN(PANTONE CODE 375C)

NOTE: 1. MADE OF EQUIVALENT MATERIAL.

均可使用同等材質。

2. SLIGHT DEFORMED IS NORMAL STATUS.

輕微變形為正常現象。

3. THE COLOR BATCH TEST REPORT IS ONLY FOR FIRST LOT TEST.

色母環保檢測報告, 僅提供原始測試報告。



康揚企業股份有限公司
KANG YANG HARDWARE ENTERPRISE CO., LTD.
康揚塑膠(東莞)有限公司
KANG YANG PLASTIC(DONG GUAN)CO., LTD.
康哲電腦配件(吳江)有限公司
KANG CHE COMPUTER COMPONENTS(WUJIANG)CO., LTD.

PROPRIETARY AND CONFIDENTIAL
THE INFORMATION CONTAINED IN THIS DRAWING IS THE SOLE PROPERTY OF KANG YANG HARDWARE ENTERPRISE CO. ANY REPRODUCTION IN PART OR AS A WHOLE WITHOUT THE WRITTEN PERMISSION OF KANG YANG HARDWARE ENTERPRISE CO. IS PROHIBITED.

DATE
2016.09.01

DRAWN
K.W

CHECKED
Kenny

APPROVED
Kang

TITLE
SPACER SUPPORT

MATERIAL
NYLON66 UL94V-2

COLOR
SEE ABOVE

FINISH
UNLESS OTHERWISE SPECIFIED
TOLERANCE: SEE ABOVE

DWG. NO.

ULCY-1

SIZE
A4

SCALE: 3:1

PART NO.

SEE ABOVE

SPEC. DWG

UNIT
mm

REV
A

SHEET 1 OF 1

DO NOT SCALE DRAWING