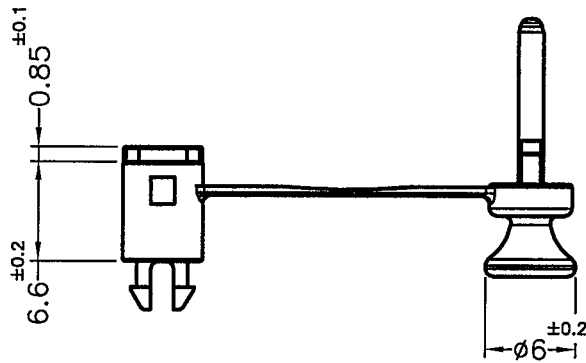
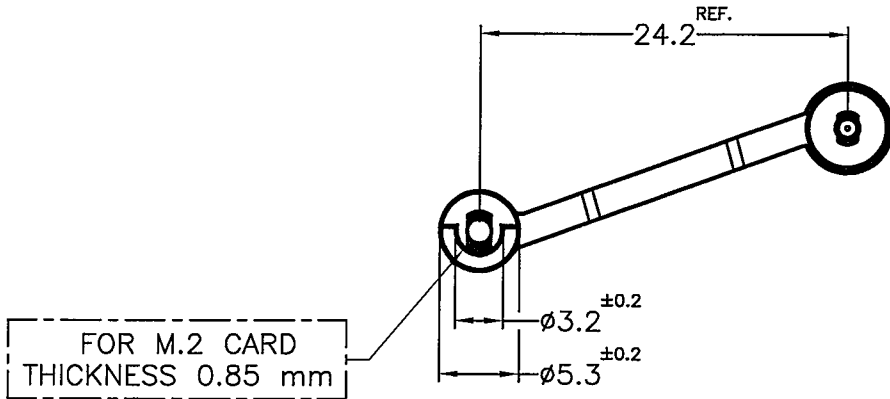


Patented Product

專利產品



MOUNTING HOLE $\phi 3.4$
THICKNESS $1.6^{\pm 0.15}$ mm

NOTE: 1. SHRINKING IS NORMAL STATUS.

內縮為正常現象。

2. MADE OF EQUIVALENT MATERIAL.

均可使用同等材質。

3. THE COLOR BATCH TEST REPORT IS ONLY FOR FIRST LOT TEST.

色母環保檢測報告，僅提供原始測試報告。



康揚企業股份有限公司
KANG YANG HARDWARE ENTERPRISE CO., LTD.
康揚塑膠(東莞)有限公司
KANG YANG PLASTIC(DONG GUAN)CO.,LTD.
康哲電腦配件(吳江)有限公司
KANG CHE COMPUTER COMPONENTS(WUJIANG)CO.,LTD.

PROPRIETARY AND CONFIDENTIAL THE INFORMATION CONTAINED IN THIS DRAWING IS THE SOLE PROPERTY OF KANG YANG HARDWARE ENTERPRISE CO. ANY REPRODUCTION IN PART OR AS A WHOLE WITHOUT THE WRITTEN PERMISSION OF KANG YANG HARDWARE ENTERPRISE CO. IS PROHIBITED. DO NOT SCALE DRAWING	DATE	TITLE		DWG. NO.	PART NO.	
	2022.05.30	SPACER SUPPORT		ULCY-2	ULCY-2VB	
	DRAWN	MATERIAL			SIZE	SPEC. DWG
	Y.C.P	NYLON 66 UL94V-0		A4		
CHECKED	COLOR	FINISH	UNLESS OTHERWISE SPECIFIED TOLERANCE:	SCALE: 2:1	UNIT	SHEET 1 OF 1
許洪洲	BLACK					
APPROVED						
Kang						