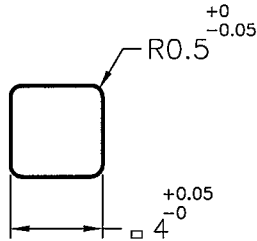
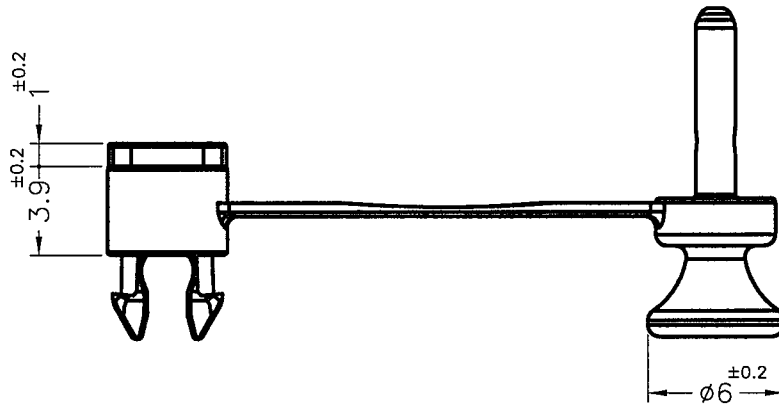
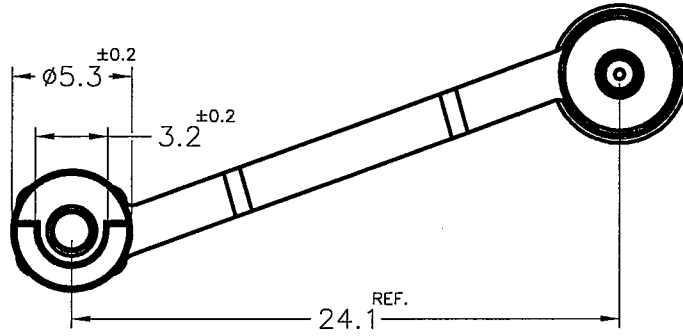


Patented Product
專利產品

| REVISIONS | | | |
|-----------|-------------|------|----|
| REV | DESCRIPTION | DATE | BY |
| | | | |
| | | | |

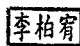
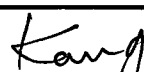


MOUNTING HOLE
THICKNESS: 1.6mm

| PART NO. | COLOR |
|-----------------|---------------------|
| ULCY3.9-1.6 | NATURAL |
| ULCY3.9-1.6(BU) | BLUE(PANTONE 285C) |
| ULCY3.9-1.6(GR) | GREEN(PANTONE 376C) |

- NOTE: 1. SHRINKING IS NORMAL STATUS.
內縮為正常現象。
2. MADE OF EQUIVALENT MATERIAL.
均可使用同等材質。
3. THE COLOR BATCH TEST REPORT IS ONLY FOR FIRST LOT TEST.
色母環保檢測報告, 僅提供原始測試報告。


 康揚企業股份有限公司
 KANG YANG HARDWARE ENTERPRISE CO., LTD.
 康揚塑膠(東莞)有限公司
 KANG YANG PLASTIC(DONG GUAN) CO., LTD.
 康哲電腦配件(吳江)有限公司
 KANG CHEE COMPUTER COMPONENTS(WUJIANG) CO., LTD.

| | | |
|-------------|---|---|
| TITLE | SPACER SUPPORT | SPEC. DWG. |
| MATERIAL | NYLON 66 UL94V-2 | DATE 2015.07.01 |
| FINISH | | DRAWN K.W |
| COLOR | SEE ABOVE | CHECK  |
| PART NUMBER | SEE ABOVE | DRAWING NUMBER ULCY3.9-1.6 |
| SIZE A4 | SCALE 3:1 | UNIT mm |
| REV A | UNLESS OTHERWISE SPECIFIED TOLERANCE SEE ABOVE | APPROVED  |