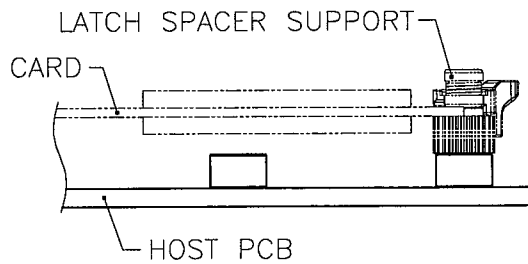
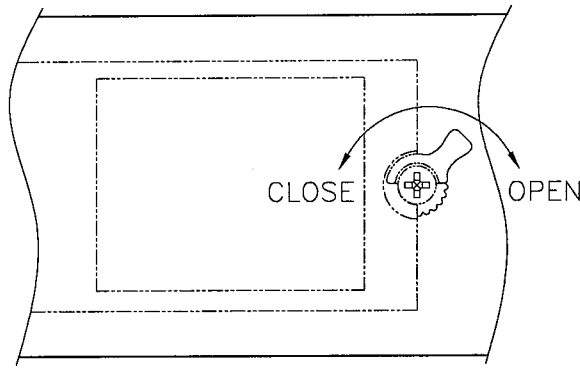
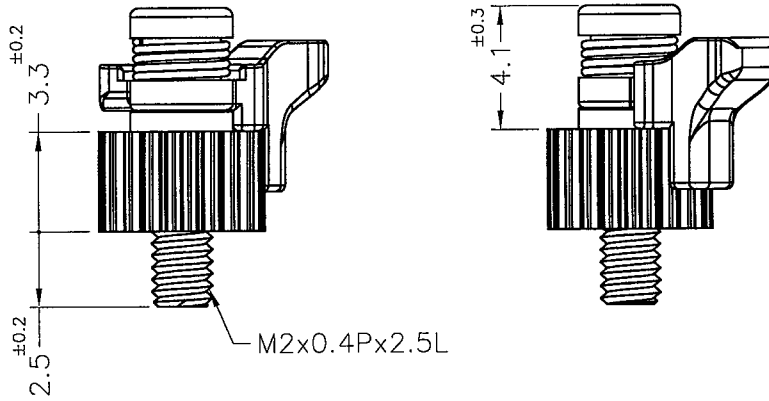
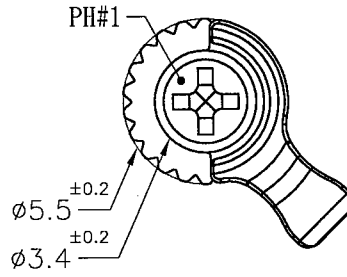


Patented Product
專利產品



Assembly Diagram

NOTE: 1. MADE OF EQUIVALENT MATERIAL.

- 均可使用同等材質。
- 2. SLIGHT DEFORMED IS NORMAL STATUS.
輕微變形為正常現象。
- 3. THE COLOR BATCH TEST REPORT IS ONLY FOR FIRST LOT TEST.
色母環保檢測報告，僅提供原始測試報告。


 康揚企業股份有限公司
 KANG YANG HARDWARE ENTERPRISE CO., LTD.
 康揚塑膠(東莞)有限公司
 KANG YANG PLASTIC(DONG GUAN)CO.,LTD.
 康哲電腦配件(吳江)有限公司
 KANG CHE COMPUTER COMPONENTS(WUJIANG)CO.,LTD.

| | | | | | | | | |
|---|----------|------------|---------------------------------------|----------------------|------------|----------|------------|--------------|
| PROPRIETARY AND CONFIDENTIAL THE INFORMATION CONTAINED IN THIS DRAWING IS THE SOLE PROPERTY OF KANG YANG HARDWARE ENTERPRISE CO. ANY REPRODUCTION IN PART OR AS A WHOLE WITHOUT THE WRITTEN PERMISSION OF KANG YANG HARDWARE ENTERPRISE CO. IS PROHIBITED. DO NOT SCALE DRAWING | DATE | 2023.02.24 | TITLE | LATCH SPACER SUPPORT | DWG. NO. | PART NO. | | |
| | DRAWN | K.W | INSULATOR MATERIAL / COLOR | POM / BLUE | ULF-1F | | ULF-1(BU)F | |
| | CHECKED | Kenny | METAL MATERIAL | STEEL | SIZE | A4 | SPEC. DWG | REV A |
| | APPROVED | Kang | UNLESS OTHERWISE SPECIFIED TOLERANCE: | SEE ABOVE | SCALE: 4:1 | UNIT | mm | SHEET 1 OF 1 |