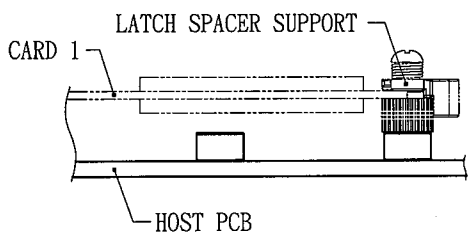
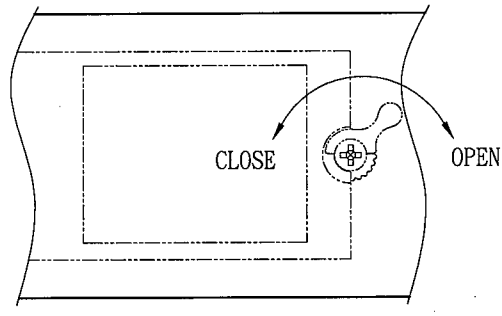
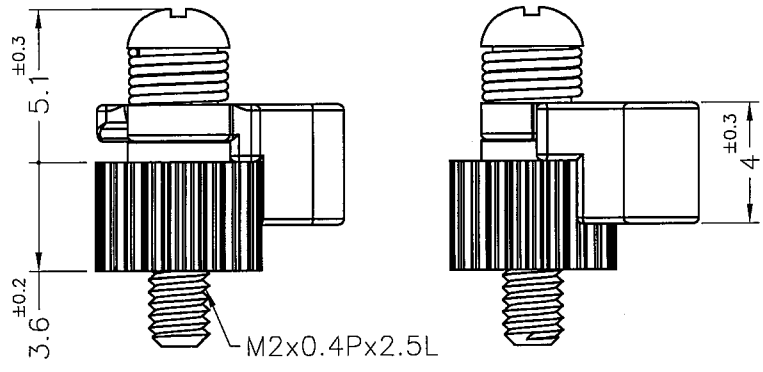
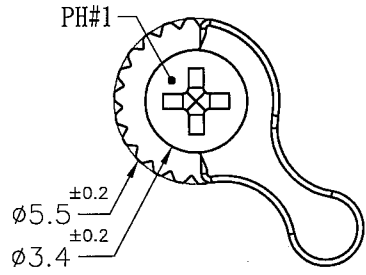


Patented Product  
專利產品



Assembly Diagram

- NOTE: 1. MADE OF EQUIVALENT MATERIAL.  
均可使用同等材質。  
2. SLIGHT DEFORMED IS NORMAL STATUS.  
輕微變形為正常現象。  
3. THE COLOR BATCH TEST REPORT IS ONLY FOR FIRST LOT TEST.  
色母環保檢測報告, 僅提供原始測試報告。



康揚企業股份有限公司  
KANG YANG HARDWARE ENTERPRISE CO., LTD.  
康揚塑膠(東莞)有限公司  
KANG YANG PLASTIC(DONG GUAN)CO.,LTD.  
康哲電腦配件(吳江)有限公司  
KANG CHE COMPUTER COMPONENTS(WUJIANG)CO.,LTD.

PROPRIETARY AND CONFIDENTIAL THE INFORMATION CONTAINED IN THIS DRAWING IS THE SOLE PROPERTY OF KANG YANG HARDWARE ENTERPRISE CO. ANY REPRODUCTION IN PART OR AS A WHOLE WITHOUT THE WRITTEN PERMISSION OF KANG YANG HARDWARE ENTERPRISE CO. IS PROHIBITED.  DO NOT SCALE DRAWING	DATE	2022.11.28	TITLE	LATCH SPACER SUPPORT	DWG. NO.	ULF-3.6(BU)F		PART NO.	ULF-3.6(BU)F	
	DRAWN	K.W	INSULATOR MATERIAL / COLOR	NYLON66 UL94V-0+GF / BLUE	SIZE A4		SPEC. DWG		REV A	
	CHECKED	Kenny	METAL MATERIAL	STEEL						
	APPROVED	Kang		UNLESS OTHERWISE SPECIFIED TOLERANCE	SEE ABOVE	SCALE: 4:1	UNIT	mm	SHEET 1 OF 1	