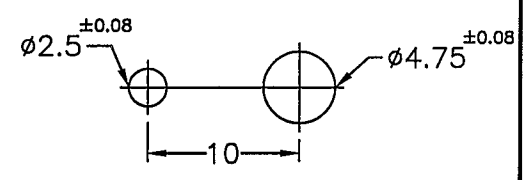
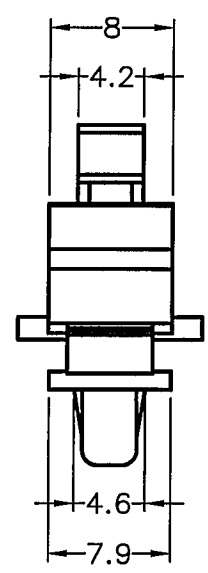
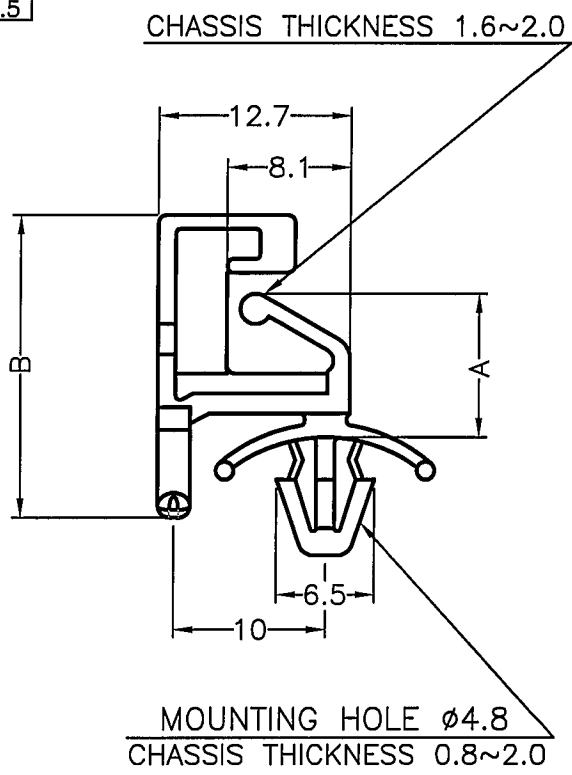


成型尺寸	公差
L≤10	±0.2
10<L≤30	±0.3
30<L≤50	±0.5
50<L≤100	±0.7
100<L≤250	±1.2
ABOVE 250	±1.5

REVISIONS			
REV	DESCRIPTION	DATE	BY



Component - Plastics E41938
 E I DUPONT DE NEMOURS & CO INC.
 ENGINEERING POLYMERS, CHESTNUT RUN PLAZA, PO BOX 80713, WILMINGTON DE 19880
 101(r9)(f1), 101F(r9)(f1), 101L(r9)(f1), E101(r9)(f1), E101L(r9)(f1)
 Polyamide 66 (PA66), "Zytel", furnished as pellets.

Color	Min Thk (mm)	Flame Class	HWI	HAI	RTI Elec	RTI Imp	RTI Str.
ALL	0.71	V-2	4	0	130	75	85
	1.5	V-2	3	0	130	75	85
	3.0	V-2	2	0	130	75	85
	6.0	V-2	2	0	130	75	85

Comparative Tracking Index (CTI): 0
 Dielectric Strength (kV/mm): 13
 High-Voltage Arc Tracking Rate (HVTR): 0
 Dimensional Stability (%): -
 (f1) - Suitable for outdoor use with respect to exposure to Ultraviolet Light, Water Exposure and Immersion in accordance with UL 746C.
 NOTE - (1) Material designations that are color pigmented may be followed by suffix letters and numbers. (2) Material designations may be prefixed by "ZYT" for Zytel or "MIN" for Minton or "DEL" for Delrin or "CRA" for Crastin or "RYN" for Rynite or "ETPV" for ETPV grades.
 r9 - Virgin and regrind up to 50% by weight inclusive, have the same basic material characteristics for ALL colors down to 0.71mm. For thickness 0.40mm to 0.70mm the same basic material characteristics exist with the exception of generic RTIs for all properties and Regrind exceeding 25% is limited to V-2 Flammability for WT, RD, BK.
 ANSILUL 84 small-scale test data does not pertain to building materials; furnishings and related contents. ANSILUL 84 small-scale test data is intended solely for determining the flammability of plastic materials used in the components and parts of end-product devices and appliances, where the acceptability of the combination is determined by UL.

RECOMMEND MOUNTING HOLE

PART NO	A	B
WLCF-6	6.3	16.8
WLCF-8	8.0	18.5
WLCF-9	9.5	20
WLCF-12	12.7	23.2
WLCF-16	15.9	26.4

Report Date: 1996-07-28
 Last Revised: 2010-07-27
 © 2011 Underwriters Laboratories Inc.

 康揚企業股份有限公司 KANG YANG HARDWARE ENTERPRISE CO., LTD. 康揚塑膠(東莞)有限公司 KANG YANG PLASTIC(DONG GUAN) CO., LTD. 康哲電腦配件(吳江)有限公司 KANG CHEE COMPUTER COMPONENTS(WUJIANG) CO., LTD.	TITLE PC板間隔柱		產品規格圖面	
	MATERIAL NYLON 66 UL94V-2		DATE 2012.07.31	
	HARDNESS		DRAWN Lyu	
	COLOR NATURAL		CHECK 	
PART NUMBER SEE ABOVE	DRAWING NUMBER WLCF-H		UNLESS OTHERWISE SPECIFIED TOLERANCE SEE ABOVE	
SIZE A4	SCALE 2:1	UNIT mm	REV A	APPROVED