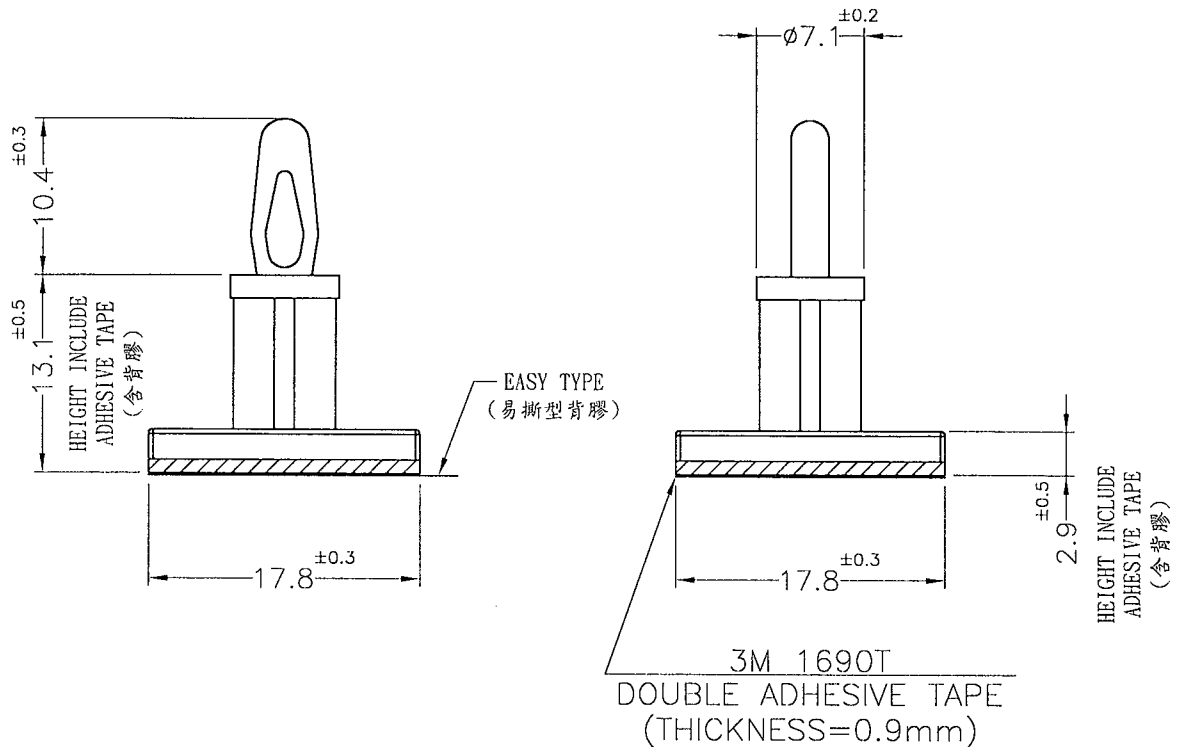


MOUNTING HOLE: $\phi 4\text{mm}$
 THICKNESS: 1.6mm
 (RECOMMEND FOR REFERENCE ONLY)



NOTE: 1. HEIGHT INCLUDE ADHESIVE TAPE, NOT INCLUDE RELEASE PAPER.

高度含背膠但不含離型紙厚度。

2. IT IS HAND-CUT ADHESIVE TAPE, SO CAN NOT PERFECTLY STICK EVENLY. IT IS POSSIBLE TO HAVE SOME PORTION EXPOSED OR SHRINKING INWARD. THIS IS A NORMAL PHENOMENON.

此為手工背膠, 貼附無法非常平整, 會有外露或內縮屬正常現象。

3. DIRECTION FOR EASY RELEASE LINER TAPE IS FOR REFERENCE ONLY.

易撕型膠帶方向性僅供參考。

4. MADE OF PLASTIC OR EQUIVALENT MATERIALS.

塑膠製品或同等材質。

5. 膠帶使用建議(依美商3M公司台灣子公司建議):

① 依3M建議欲達最佳黏著, 黏貼表面必須清潔與乾燥

② 依3M建議以平均施以約15psi(1.05kg/cm²)之壓力

③ 依3M建議使用溫度在15°C至38°C之間, 勿低於10°C

④ 依3M建議儲存環境為21°C和50%相對濕度,

可避免因未確實密封及存放, 會有背膠黃化現象



ISO 9001
 ISO 14001
 QC 080000
 IATF 16949

康揚企業股份有限公司
 KANG YANG HARDWARE ENTERPRISE CO., LTD.
 康揚塑膠(東莞)有限公司
 KANG YANG PLASTIC(DONG GUAN)CO.,LTD.
 康哲電腦配件(吳江)有限公司
 KANG CHE COMPUTER COMPONENTS(WUJIANG)CO.,LTD.

康揚塑膠五金(泰國)有限公司
 บริษัท สังกะยา ฮาร์ดแวร์ (ไทยแลนด์) จำกัด
 KANG YANG HARDWARE (THAILAND) CO., LTD.
 康揚越南有限公司
 CÔNG TY TNHH KANG YANG VIỆT NAM
 KANG YANG VIETNAM CO., LTD.

PROPRIETARY AND CONFIDENTIAL THE INFORMATION CONTAINED IN THIS DRAWING IS THE SOLE PROPERTY OF KANG YANG HARDWARE ENTERPRISE CO. ANY REPRODUCTION IN PART OR AS A WHOLE WITHOUT THE WRITTEN PERMISSION OF KANG YANG HARDWARE ENTERPRISE CO. IS PROHIBITED. DO NOT SCALE DRAWING	DATE	TITLE		DWG. NO.		PART NO.	
	2025.04.18	PCB SPACER		ASSC-H		ASSC-13(3M)AD	
	DRAWN	MATERIAL		SIZE	SPEC. DWG.	REV	A
	FORSEN	NYLON 66(PA66) UL94V-2					
CHECKED	COLOR	FINISH	A4	SCALE: 2:1	UNIT	mm	SHEET 1 OF 1
林祺翔	NATURAL						
APPROVED	UNLESS OTHERWISE SPECIFIED TOLERANCE:		SEE ABOVE				