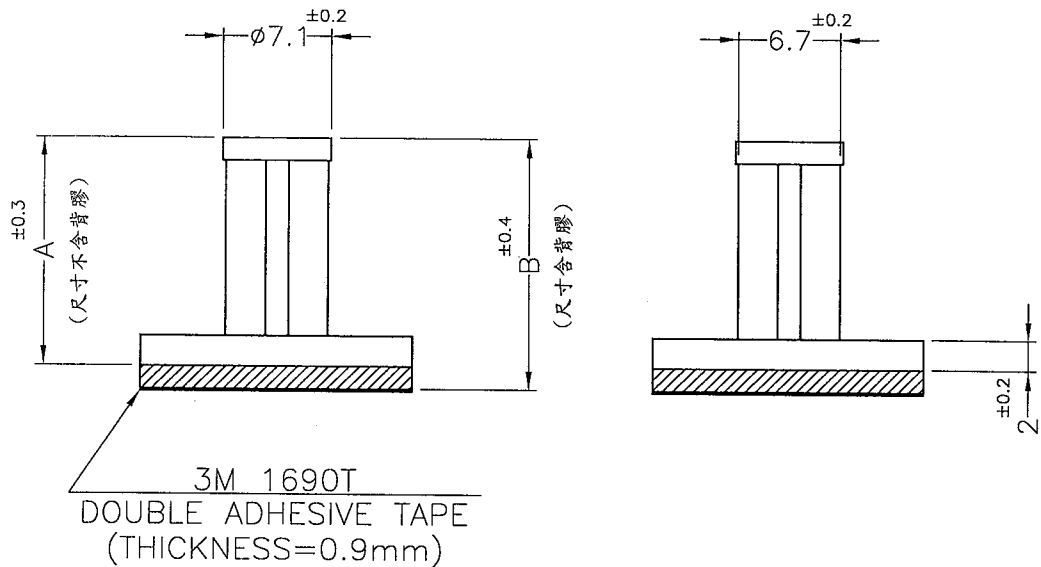


| PART NO. | A | B |
|------------|------|------|
| AST-6(3M) | 5.1 | 6.0 |
| AST-10(3M) | 9.1 | 10.0 |
| AST-12(3M) | 11.1 | 12.0 |
| AST-14(3M) | 13.1 | 14.0 |
| AST-16(3M) | 15.1 | 16.0 |



NOTE: 1. HEIGHT INCLUDE ADHESIVE TAPE, NOT INCLUDE RELEASE PAPER.
 高度含背膠但不含離型紙厚度。

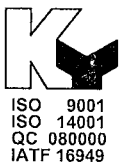
2. IT IS HAND-CUT ADHESIVE TAPE, SO CAN NOT PERFECTLY STICK EVENLY. IT IS POSSIBLE TO HAVE SOME PORTION EXPOSED OR SHRINKING INWARD. THIS IS A NORMAL PHENOMENON.
 此為手工背膠, 貼附無法非常平整, 會有外露或內縮屬正常現象。

3. THE COLOR BATCH TEST REPORT IS ONLY FOR FIRST LOT TEST.
 色母環保檢測報告, 僅提供原始測試報告。

4. MADE OF EQUIVALENT MATERIAL.
 可使用同等材質。

5. 膠帶使用建議(依美商3M公司台灣子公司建議):

- ① 依3M建議欲達最佳黏著, 黏貼表面必須清潔與乾燥
- ② 依3M建議以平均施以約15psi(1.05kg/cm²)之壓力
- ③ 依3M建議使用溫度在15°C至38°C之間, 勿低於10°C
- ④ 依3M建議儲存環境為21°C和50%相對濕度, 可避免因未確實密封及存放, 會有背膠黃化現象



康揚企業股份有限公司
 KANG YANG HARDWARE ENTERPRISE CO., LTD.
 康揚塑膠(東莞)有限公司
 KANG YANG PLASTIC(DONG GUAN)CO.,LTD.
 康哲電腦配件(吳江)有限公司
 KANG CHE COMPUTER COMPONENTS(WUJIANG)CO.,LTD.

康揚塑膠五金(泰國)有限公司
 บริษัท คัง ยาง ฮาร์ดแวร์ (ไทยแลนด์) จำกัด
 KANG YANG HARDWARE (THAILAND) CO., LTD.
 康揚越南有限公司
 CÔNG TY TNHH KANG YANG VIỆT NAM
 KANG YANG VIETNAM CO., LTD.

| | | | | | | | | | | |
|---|----------|--------------------|---------------------------------------|------------------------|----------|------------|------|------------|--------------|--|
| PROPRIETARY AND CONFIDENTIAL THE INFORMATION CONTAINED IN THIS DRAWING IS THE SOLE PROPERTY OF KANG YANG HARDWARE ENTERPRISE CO. ANY REPRODUCTION IN PART OR AS A WHOLE WITHOUT THE WRITTEN PERMISSION OF KANG YANG HARDWARE ENTERPRISE CO. IS PROHIBITED. DO NOT SCALE DRAWING | DATE | 2025.03.07 | TITLE | PCB SPACER | DWG. NO. | AST-H | | PART NO. | SEE ABOVE | |
| | DRAWN | FORSEN | MATERIAL | NYLON 66(PA66) UL94V-2 | SIZE | A4 | | SPEC. DWG. | REV A | |
| | CHECKED | <i>[Signature]</i> | COLOR | NATURAL | FINISH | | | | | |
| | APPROVED | <i>[Signature]</i> | UNLESS OTHERWISE SPECIFIED TOLERANCE: | SEE ABOVE | | SCALE: 2:1 | UNIT | mm | SHEET 1 OF 1 | |