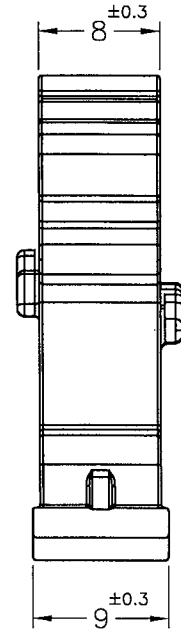
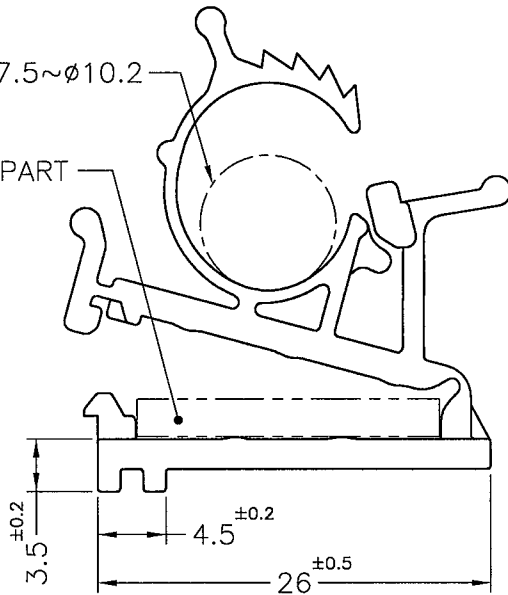


RECOMMEND FITTING_PART
2.5x20

CLOSE: $\phi 7.5 \sim \phi 10.2$



PART NO.	MATERIAL
AWB-1(B)	NYLON 66(PA66) UL94V-2
AWB-1VB	NYLON 66(PA66) UL94V-0

NOTE: 1. MADE OF PLASTIC OR EQUIVALENT MATERIALS.

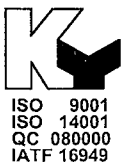
塑膠製品或同等材質。

2. THE COLOR BATCH TEST REPORT IS ONLY FOR FIRST LOT TEST.

色母環保檢測報告, 僅提供原始測試報告。

3. SLIGHT DEFORMED IS NORMAL STATUS.

輕微變形為正常現象。



康揚企業股份有限公司
KANG YANG HARDWARE ENTERPRISE CO., LTD.

康揚塑膠(東莞)有限公司
KANG YANG PLASTIC(DONG GUAN)CO.,LTD.

康哲電腦配件(吳江)有限公司
KANG CHE COMPUTER COMPONENTS(WUJIANG)CO.,LTD.

康揚塑膠五金(泰國)有限公司

บริษัท ห้าง ยาง ยาร์ดแวร์ (ไทยแลนด์) จำกัด
KANG YANG HARDWARE (THAILAND) CO., LTD.

康揚越南有限公司

CÔNG TY TNHH KANG YANG VIỆT NAM
KANG YANG VIETNAM CO., LTD.

PROPRIETARY AND CONFIDENTIAL THE INFORMATION CONTAINED IN THIS DRAWING IS THE SOLE PROPERTY OF KANG YANG HARDWARE ENTERPRISE CO. ANY REPRODUCTION IN PART OR AS A WHOLE WITHOUT THE WRITTEN PERMISSION OF KANG YANG HARDWARE ENTERPRISE CO. IS PROHIBITED. DO NOT SCALE DRAWING	DATE 2024.02.22	TITLE WIRE MOUNT	DWG. NO. AWB-1		PART NO. SEE ABOVE	
	DRAWN K.W	MATERIAL SEE ABOVE	SIZE A4		SPEC. DWG.	
	CHECKED [Signature]	COLOR BLACK	FINISH	REV C		
	APPROVED [Signature]	UNLESS OTHERWISE SPECIFIED TOLERANCE: SEE ABOVE		SCALE: 2:1	UNIT mm	SHEET 1 OF 1