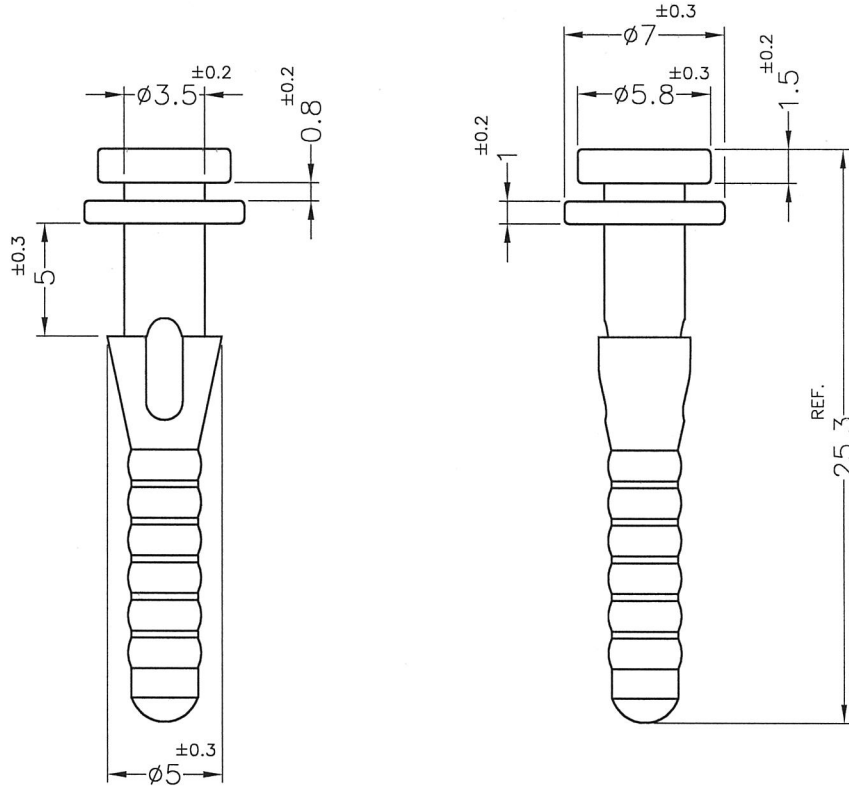


HOLE IN CHASSIS:  $\phi 3.5\text{mm}$   
 THICKNESS: 0.8mm  
 (RECOMMEND FOR REFERENCE ONLY)



HOLE IN FAN:  $\phi 3.5\text{mm}$   
 THICKNESS: 5.0~6.4mm  
 (RECOMMEND FOR REFERENCE ONLY)

- NOTE: 1. SHRINKING IS NORMAL STATUS.  
 內縮為正常現象。  
 2. MADE OF EQUIVALENT MATERIAL.  
 均可使用同等材質。  
 3. THE COLOR BATCH TEST REPORT IS ONLY FOR FIRST LOT TEST.  
 色母環保檢測報告, 僅提供原始測試報告。



康揚企業股份有限公司  
 KANG YANG HARDWARE ENTERPRISE CO., LTD.  
 康揚塑膠(東莞)有限公司  
 KANG YANG PLASTIC(DONG GUAN)CO.,LTD.  
 康哲電腦配件(吳江)有限公司  
 KANG CHE COMPUTER COMPONENTS(WUJIANG)CO.,LTD.

康揚塑膠五金(泰國)有限公司  
 บริษัท กัง หยาง ฮาร์ดแวร์ (ไทยแลนด์) จำกัด  
 KANG YANG HARDWARE (THAILAND) CO., LTD.  
 康揚越南有限公司  
 CÔNG TY TNHH KANG YANG VIỆT NAM  
 KANG YANG VIETNAM CO., LTD.

PROPRIETARY AND CONFIDENTIAL THE INFORMATION CONTAINED IN THIS DRAWING IS THE SOLE PROPERTY OF KANG YANG HARDWARE ENTERPRISE CO. ANY REPRODUCTION IN PART OR AS A WHOLE WITHOUT THE WRITTEN PERMISSION OF KANG YANG HARDWARE ENTERPRISE CO. IS PROHIBITED. DO NOT SCALE DRAWING	DATE	TITLE	DWG. NO.		PART NO.	
	2024.09.04	FAN MOUNT RIVET	BUB-253VB		BUB-253VB	
	DRAWN	MATERIAL	SIZE	SPEC. DWG.	REV	A
	Terry	TPE UL94V-0				
CHECKED	COLOR	FINISH	SCALE: 3:1	UNIT	mm	SHEET 1 OF 1
<i>Luyiping</i>	BLACK					
APPROVED	UNLESS OTHERWISE SPECIFIED TOLERANCE: SEE ABOVE					
<i>Kang</i>						