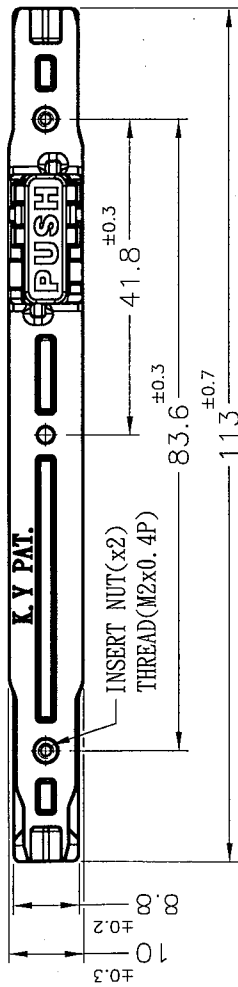
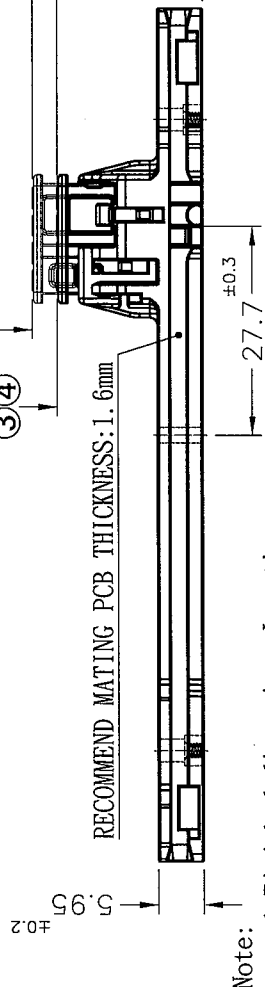


Patented Under Process
專利申請中



19.05 Ref. (CLOSE)
22.3 Ref. (OPEN)



RECOMMEND MATING PCB THICKNESS: 1.6mm

Note:

1. Finished dimensions Location.

成品尺寸位置。

① Minimum press-in distance to lock: 4.3 Ref.

扣合所需的最小距離位置

② Maximum press-in distance to lock: 4.5 Ref.

扣合時最大壓入位置

③ Minimum press-in distance to unlock: 1.1 Ref.

打開所需的最小距離位置

④ Maximum press-in distance to unlock: 1.3 Ref.

打開時最大壓入位置

2. Made of equivalent material.

均可使用同等材質。

3. Slight deformed is normal status.

輕微變形為正常現象。

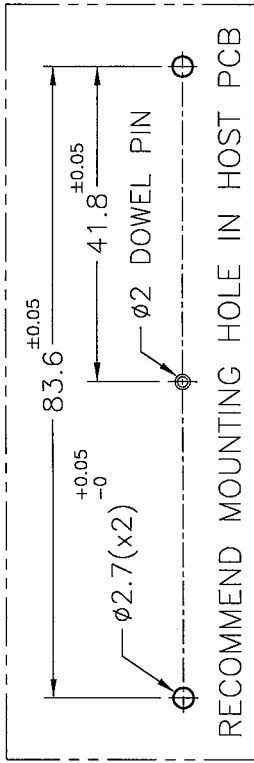
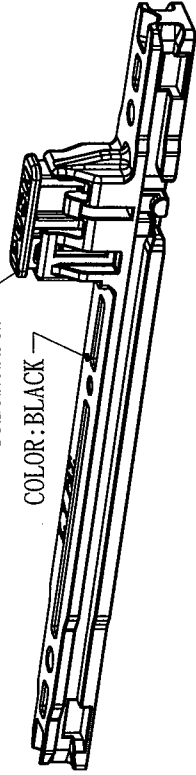
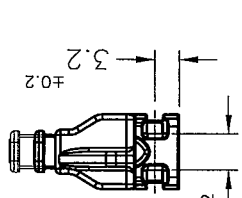
4. The color batch test report is only

for first lot test.

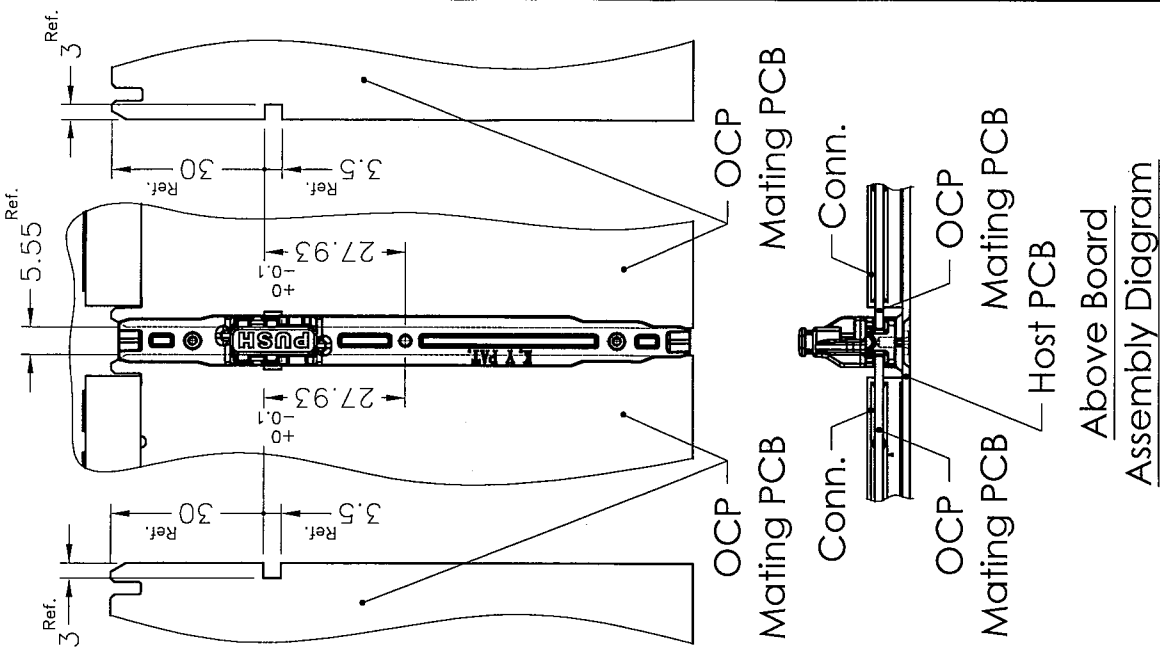
色母環保檢測報告, 僅提供原始測試報告。

COLOR: BLUE

COLOR: BLACK



RECOMMEND MOUNTING HOLE IN HOST PCB



<p>9001 ISO 14001 CC 080000 IATF-16949</p>	<p>康揚企業股份有限公司 KANG YANG HARDWARE ENTERPRISE CO., LTD.</p> <p>康揚塑膠五金(東莞)有限公司 KANG YANG PLASTIC(DONG GUAN)CO., LTD.</p> <p>康哲電腦配件(吳江)有限公司 KANG CHE COMPUTER COMPONENT(SUJIANG)CO., LTD.</p>	<p>康揚五金(泰國)有限公司 KANG YANG HARDWARE (THAILAND) CO., LTD.</p> <p>康揚越南有限公司 CÔNG TY TNHH KANG YANG VIỆT NAM KANG YANG VIETNAM CO., LTD.</p>	<p>DATE 2025.04.16</p> <p>DRAWN <i>K.Y.</i></p> <p>CHECKED <i>Kenny</i></p> <p>APPROVED <i>Kenny</i></p>	<p>TITLE CARD GUIDE</p> <p>MATERIAL PC+ABS UL94V-0</p> <p>COLOR SEE ABOVE</p> <p>INSERT NUT MATERIAL BRASS</p> <p>UNLESS OTHERWISE SPECIFIED TOLERANCE SEE ABOVE</p>	<p>DWG. NO. CGLP-12F</p> <p>SIZE A4</p> <p>SCALE: 1:1</p>	<p>PART NO. CGLP-12V0F-M2</p> <p>SPEC. DWG</p> <p>UNIT mm</p>	<p>REV A</p> <p>SHEET 1 OF 1</p>
	<p>PROPRIETARY AND CONFIDENTIAL: THE INFORMATION CONTAINED IN THIS DRAWING IS THE SOLE PROPERTY OF KANG YANG HARDWARE ENTERPRISE CO. ANY REPRODUCTION IN PART OR AS A WHOLE WITHOUT THE WRITTEN PERMISSION OF KANG YANG HARDWARE ENTERPRISE IS PROHIBITED.</p>						