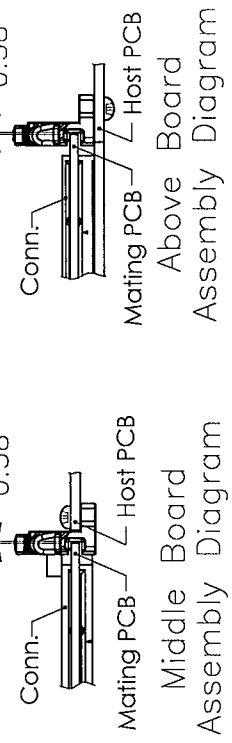
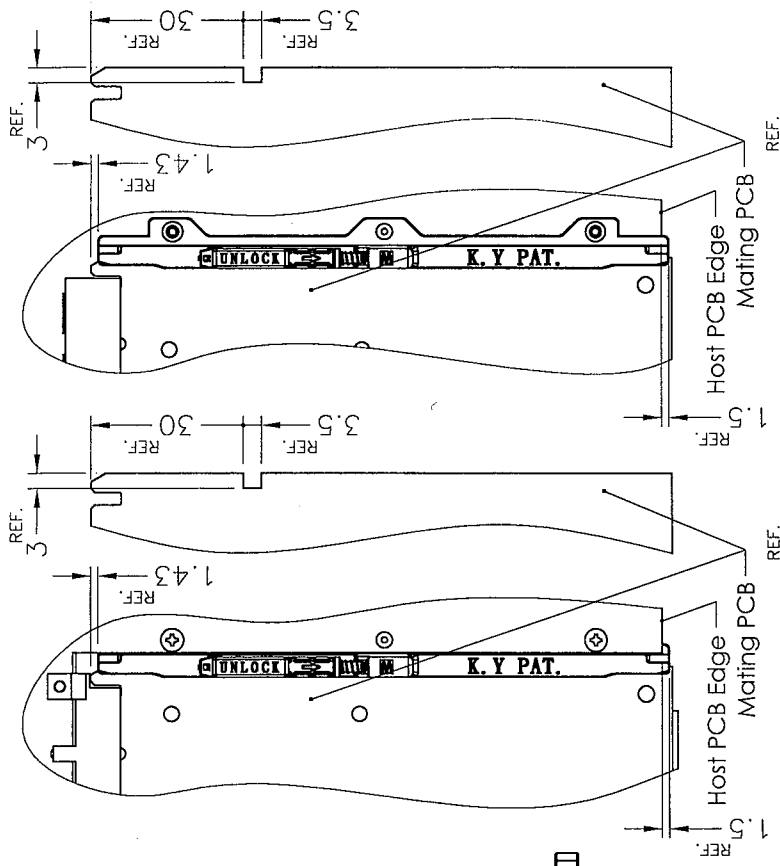
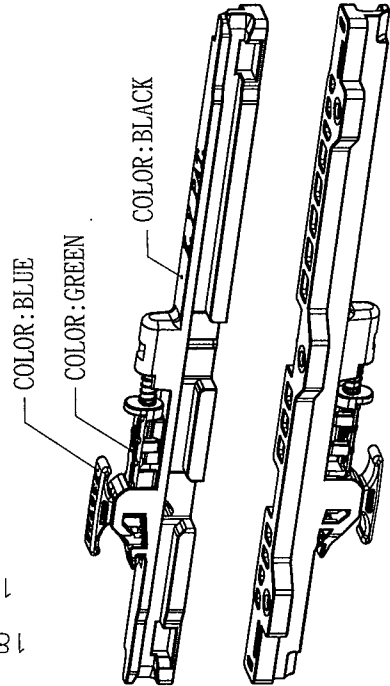
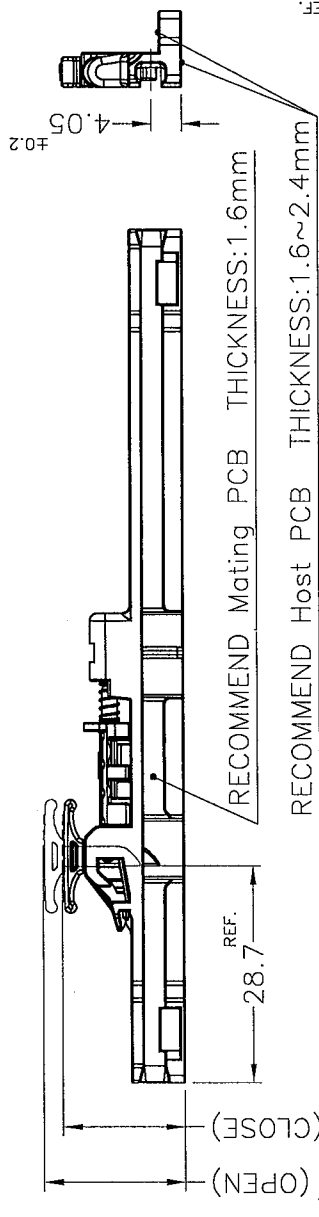
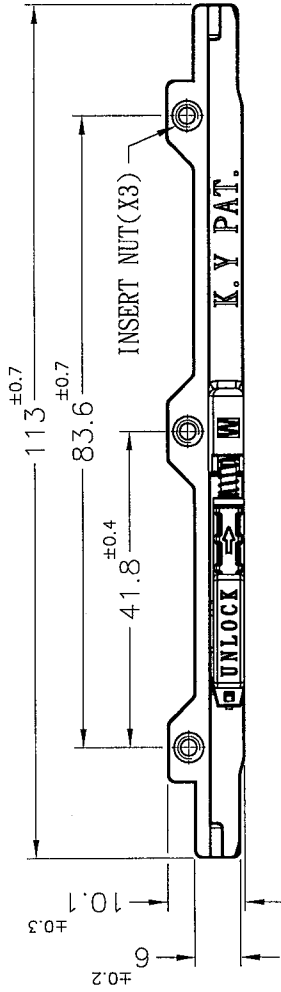


Patented Product
專利產品



NOTE: 1. MADE OF EQUIVALENT MATERIAL. 均可使用同等材質。
2. SLIGHT DEFORMED IS NORMAL STATUS. 輕微變形為正常現象。
3. THE COLOR BATCH TEST REPORT IS ONLY FOR TEST PURPOSE. 色母環保檢測報告, 僅提供原始測試報告。

PART NO.	THREAD
CGLP-5V0F	M3x0.5P
CGLP-5V0F-M2	M2x0.4P

 ISO 9001 SC 080000 IATF 16949	康揚企業股份有限公司 KANG YANG HARDWARE ENTERPRISE CO., LTD. 康揚塑膠(東莞)有限公司 KANG YANG PLASTIC(DONG GUAN)CO.,LTD. 康哲電腦配件(吳江)有限公司 KANG CHE COMPUTER COMPONENTS(WUJIANG)CO.,LTD.	DATE: 2020.04.21 DRAWN: M.W CHECKED: Kenny APPROVED: Kang	TITLE: CARD GUIDE BODY MATERIAL: PC+ABS UL94V-0 SPRING MATERIAL: SUS UNLESS OTHERWISE SPECIFIED TOLERANCE: SEE ABOVE	DWG. NO.: CGLP-5F SIZE: A4 SCALE: 1:1 UNIT: mm	PART NO.: SEE ABOVE SPEC. DWG: REV E SHEET 1 OF 1
	康揚塑膠五金(泰國)有限公司 บริษัท ฟ้า พลาสติก (ประเทศไทย) จำกัด KANG YANG HARDWARE (THAILAND) CO., LTD. 康揚越南有限公司 CÔNG TY TNHH KANG YANG VIỆT NAM KANG YANG VIETNAM CO., LTD.	PROPRIETARY AND CONFIDENTIAL: THE INFORMATION CONTAINED IN THIS DRAWING IS THE SOLE PROPERTY OF KANG YANG HARDWARE ENTERPRISE CO. ANY REPRODUCTION IN PART OR AS A WHOLE WITHOUT THE WRITTEN PERMISSION OF KANG YANG HARDWARE ENTERPRISE IS PROHIBITED.	DO NOT SCALE DRAWING		