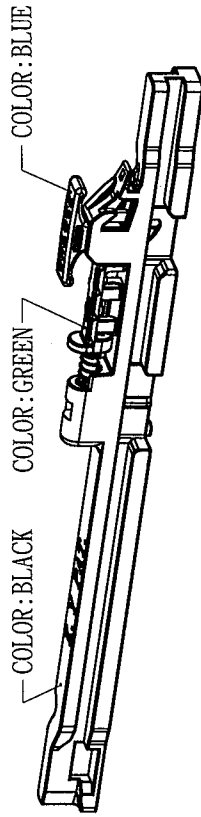
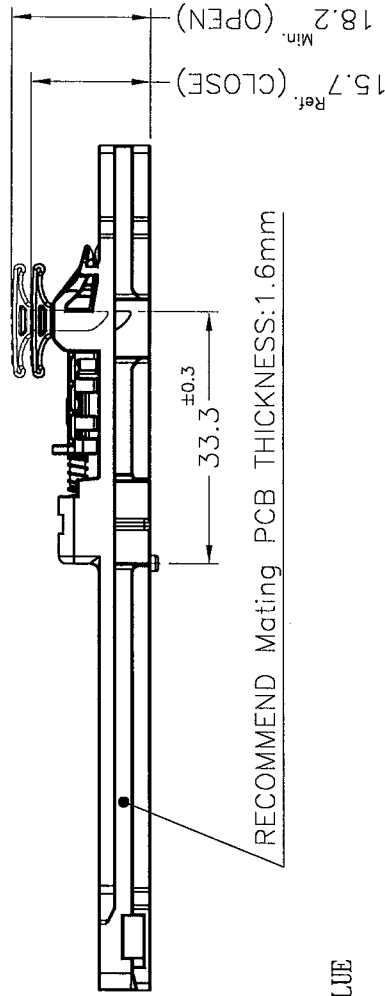
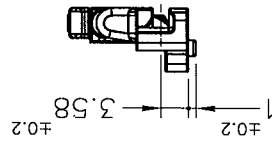
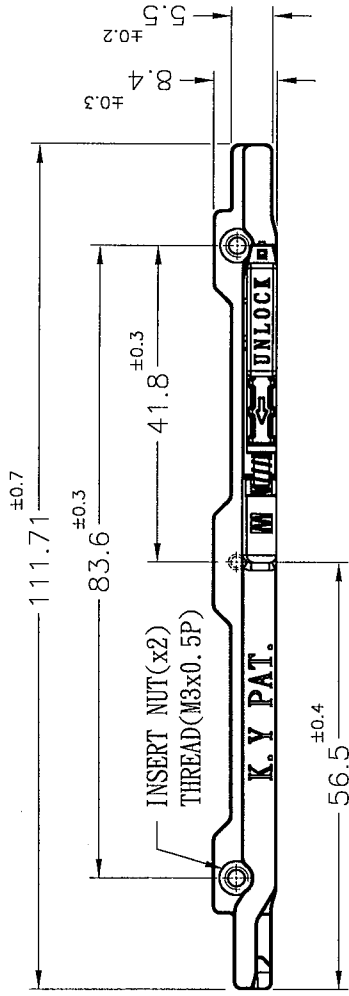


Patented Product  
專利產品



NOTE: 1. MADE OF EQUIVALENT MATERIAL.

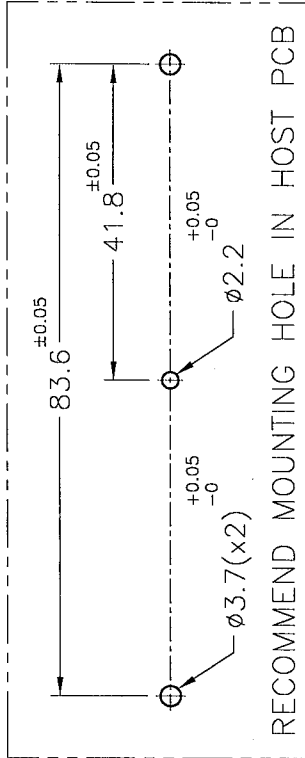
均可使用同等材質。

2. SLIGHT DEFORMED IS NORMAL STATUS.

輕微變形為正常現象。

3. THE COLOR BATCH TEST REPORT IS ONLY FOR TEST PURPOSE.

色母環保檢測報告, 僅提供原始測試報告。



PROPRIETARY AND CONFIDENTIAL  
THE INFORMATION CONTAINED IN THIS  
DRAWING IS THE SOLE PROPERTY OF  
KANG YANG HARDWARE ENTERPRISE  
CO. ANY REPRODUCTION IN PART OR  
AS A WHOLE WITHOUT THE WRITTEN  
PERMISSION OF  
KANG YANG HARDWARE ENTERPRISE  
CO. IS PROHIBITED.

DATE 2024.06.26  
DRAWN K.W  
CHECKED Kenny  
APPROVED/ Kenny  
TITLE CARD GUIDE  
BODY MATERIAL PC+ABS UL94V-0  
NUT MATERIAL BRASS COLOR SEE ABOVE  
UNLESS OTHERWISE SPECIFIED  
TOLERANCE: SEE ABOVE

DWG. NO. CGLP-7V0F  
PART NO. CGLP-7V0F  
SIZE A4  
SPEC. DWG  
SCALE: 1:1  
UNIT mm

康揚企業股份有限公司  
KANG YANG HARDWARE ENTERPRISE CO., LTD.  
康揚塑膠(東莞)有限公司  
KANG YANG PLASTIC(DONG GUAN)CO., LTD.  
康哲電腦配件(吳江)有限公司  
KANG CHE COMPUTER COMPONENTS(WUJIANG)CO.,LTD.

9001  
ISO 14001  
QC 080000  
IATF 16949