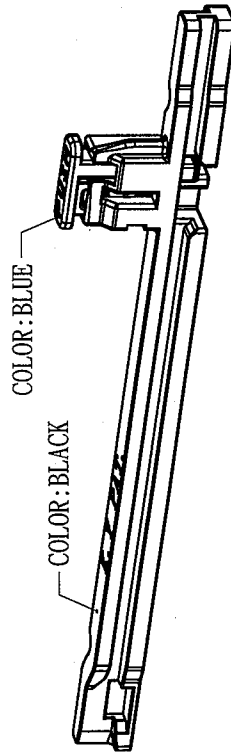
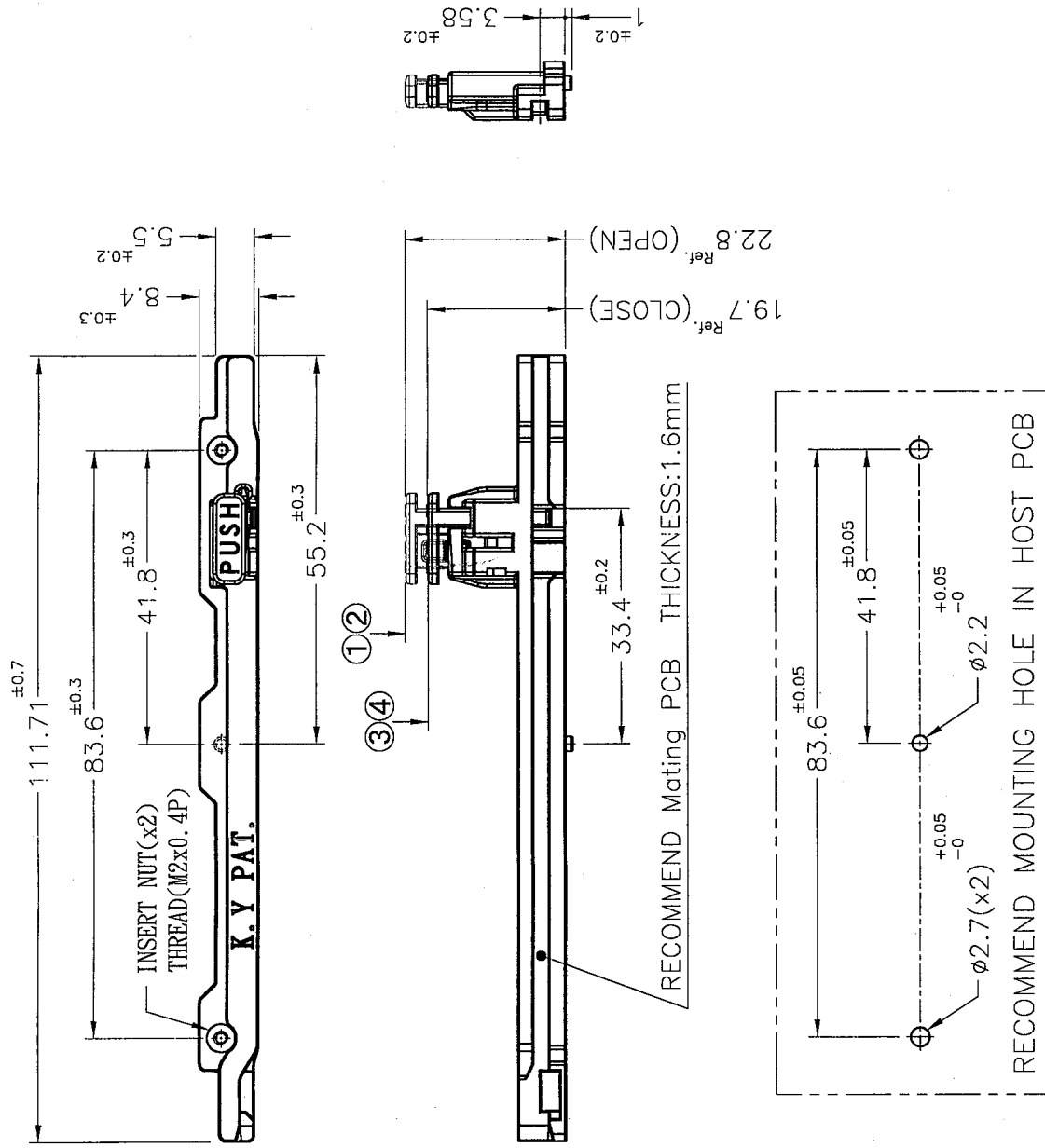


Patented Under Process 專利申請中

Note:

1. Finished dimensions Location.
成品尺寸位置。
① Minimum press-in distance to lock: 4.3^{Ref.}
扣合所需的最小距離位置
 - ② Maximum press-in distance to lock: 4.5^{Ref.}
扣合時最大壓入位置
 - ③ Minimum press-in distance to unlock: 1.1^{Ref.}
打開所需的最小距離位置
 - ④ Maximum press-in distance to unlock: 1.3^{Ref.}
打開時最大壓入位置
2. Made of equivalent material.
均可使用同等材質。
3. SLIGHT DEFORMED IS NORMAL STATUS.
輕微變形為正常現象。
4. The color batch test report is only for first lot test.
色母環保檢測報告, 僅提供原始測試報告。



| | | | | | | | | | |
|--|--|---|--|---|--|--|--|---|--|
| PROPRIETARY AND CONFIDENTIAL THE INFORMATION CONTAINED IN THIS DRAWING IS THE SOLE PROPERTY OF KANG YANG HARDWARE ENTERPRISE CO. ANY REPRODUCTION IN PART OR AS A WHOLE WITHOUT THE WRITTEN PERMISSION OF KANG YANG HARDWARE ENTERPRISE CO. IS PROHIBITED. | | DATE 2024.03.26 DRAWN K.W CHECKED Kenny APPROVED Kenny | | TITLE CARD GUIDE BODY MATERIAL PC+ABS UL94V-0 NUT MATERIAL BRASS COLOR SEE ABOVE <small>UNLESS OTHERWISE SPECIFIED TOLERANCE: SEE ABOVE</small> | | DWG. NO. CGLP-8V0F SIZE A4 SCALE: 1:1 | | PART NO. CGLP-8V0F-M2 SPEC. DWG REV A UNIT mm SHEET 1 OF 1 | |
| 康揚企業股份有限公司 KANG YANG HARDWARE ENTERPRISE CO., LTD. 康揚塑膠(東莞)有限公司 KANG YANG PLASTIC(DONG GUAN)CO.,LTD. 康哲電腦配件(吳江)有限公司 KANG CHE COMPUTER COMPONENTS(WUJIANG)CO.,LTD. | | ISO 9001 ISO 14001 QC 080000 IATF 16949 | | DO NOT SCALE DRAWING | | | | | |