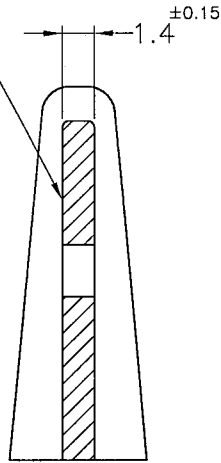
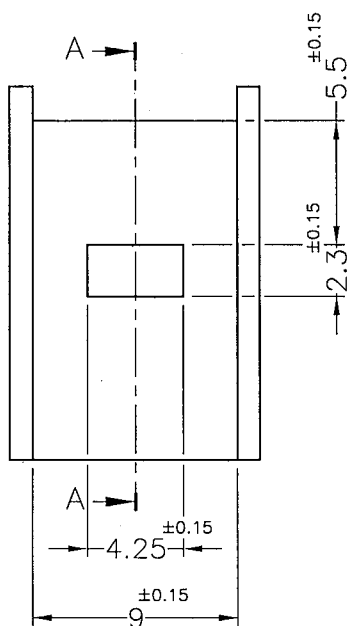


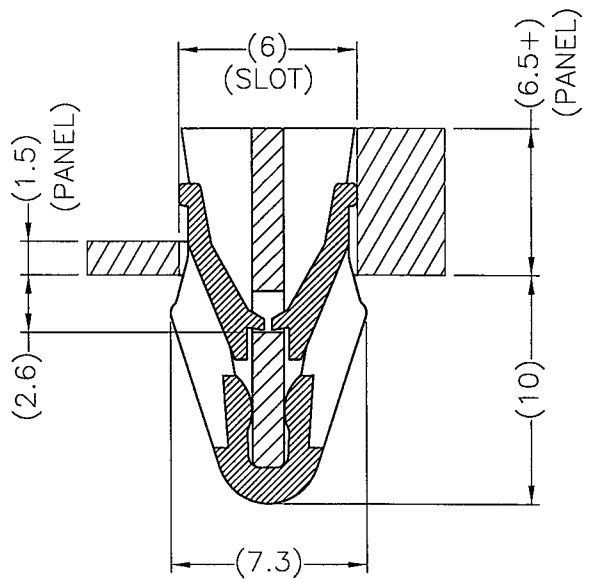
MAX ALLOWABLE  
DRAFT: 1° PER SIDE



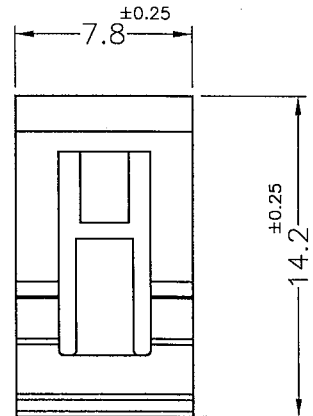
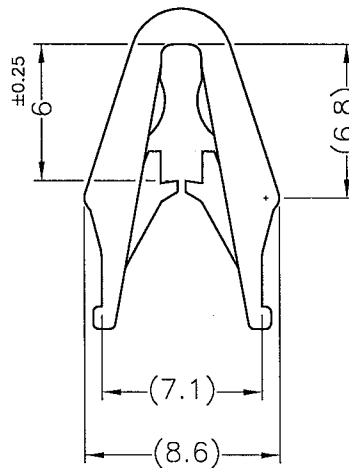
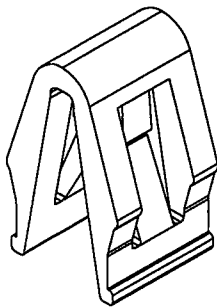
SECTION A-A



RECOMMEND RIB DETAIL  
FOR REFERENCE ONLY



ASSEMBLY VIEW  
FOR REFERENCE ONLY



NOTE: SHRINKING IS NORMAL STATUS.  
內縮為正常現象。



ISO 9001  
ISO 14001  
QC 080000  
IATF 16949

康揚企業股份有限公司  
KANG YANG HARDWARE ENTERPRISE CO., LTD.  
康揚塑膠(東莞)有限公司  
KANG YANG PLASTIC(DONG GUAN)CO.,LTD.  
康哲電腦配件(吳江)有限公司  
KANG CHE COMPUTER COMPONENTS(WUJIANG)CO.,LTD.

康揚塑膠五金(泰國)有限公司  
บริษัท ตั้ง พยาง ฮาร์ดแวร์ (ไทยแลนด์) จำกัด  
KANG YANG HARDWARE (THAILAND) CO., LTD.  
康揚越南有限公司  
CÔNG TY TNHH KANG YANG VIỆT NAM  
KANG YANG VIETNAM CO., LTD.

<b>PROPRIETARY AND CONFIDENTIAL</b> THE INFORMATION CONTAINED IN THIS DRAWING IS THE SOLE PROPERTY OF KANG YANG HARDWARE ENTERPRISE CO. ANY REPRODUCTION IN PART OR AS A WHOLE WITHOUT THE WRITTEN PERMISSION OF KANG YANG HARDWARE ENTERPRISE CO. IS PROHIBITED.  DO NOT SCALE DRAWING	<b>DATE</b> 2023.08.07	<b>TITLE</b> CLIP	<b>DWG. NO.</b> CLIP-1-C	<b>PART NO.</b> CLIP-1-C	
	<b>DRAWN</b> C.S.L	<b>MATERIAL</b> POM UL94HB	<b>SIZE</b> A4		
	<b>CHECKED</b> [Signature]	<b>COLOR</b> NATURAL	<b>FINISH</b> 	<b>SPEC. DWG.</b>	<b>REV</b> A
	<b>APPROVED</b> [Signature]	<b>UNLESS OTHERWISE SPECIFIED TOLERANCE:</b> SEE ABOVE		<b>SCALE:</b> 3:1	<b>UNIT</b> mm
			<b>SHEET 1 OF 1</b>		