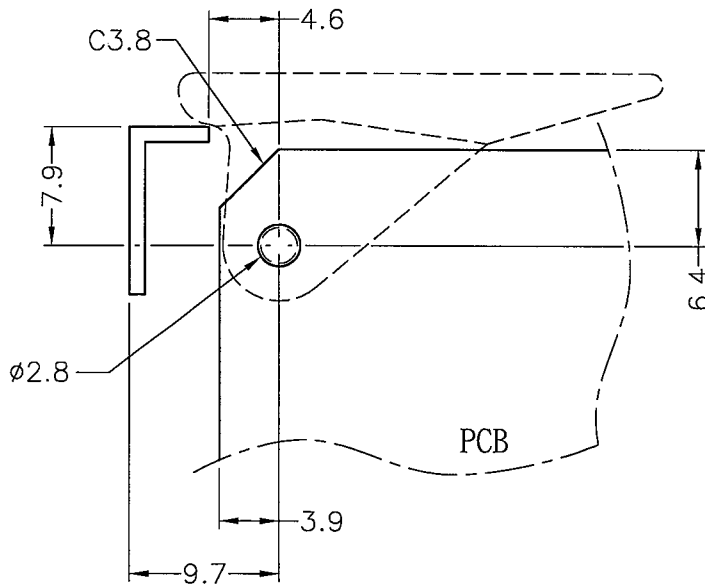
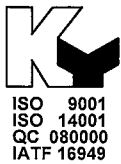


FOR CARD THICKNESS: 1.6mm



NOTE: 1. SHRINKING IS NORMAL STATUS.
 內縮為正常現象。
 2. MADE OF EQUIVALENT MATERIAL.
 可使用同等材質。

APPLICATION LAYOUT
 (RECOMMEND FOR REFERENCE ONLY)



康揚企業股份有限公司
 KANG YANG HARDWARE ENTERPRISE CO., LTD.
 康揚塑膠(東莞)有限公司
 KANG YANG PLASTIC(DONG GUAN)CO.,LTD.
 康哲電腦配件(吳江)有限公司
 KANG CHE COMPUTER COMPONENTS(WUJIANG)CO.,LTD.

康揚塑膠五金(泰國)有限公司
 บริษัท คัง หยาง ฮาร์ดแวร์ (ไทยแลนด์) จำกัด
 KANG YANG HARDWARE (THAILAND) CO., LTD.
 康揚越南有限公司
 CÔNG TY TNHH KANG YANG VIỆT NAM
 KANG YANG VIETNAM CO., LTD.

PROPRIETARY AND CONFIDENTIAL THE INFORMATION CONTAINED IN THIS DRAWING IS THE SOLE PROPERTY OF KANG YANG HARDWARE ENTERPRISE CO. ANY REPRODUCTION IN PART OR AS A WHOLE WITHOUT THE WRITTEN PERMISSION OF KANG YANG HARDWARE ENTERPRISE CO. IS PROHIBITED. DO NOT SCALE DRAWING	DATE	2024.08.30	TITLE	CARD PULLER		DWG. NO.	CP-94A		PART NO.	CP-94A
	DRAWN	C.S.L	MATERIAL	NYLON 66 UL94V-2		SIZE	SPEC. DWG.		REV	A
	CHECKED		COLOR	NATURAL	FINISH			SCALE: 2:1	UNIT	mm
	APPROVED		UNLESS OTHERWISE SPECIFIED TOLERANCE:	SEE ABOVE				SHEET 1 OF 1		