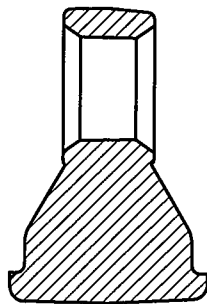
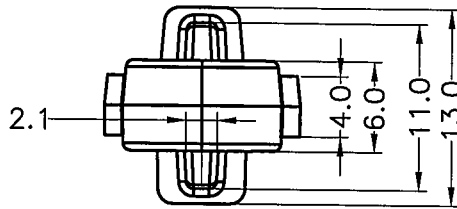
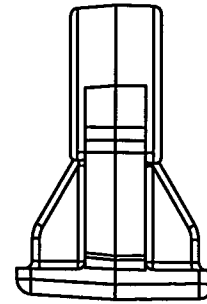
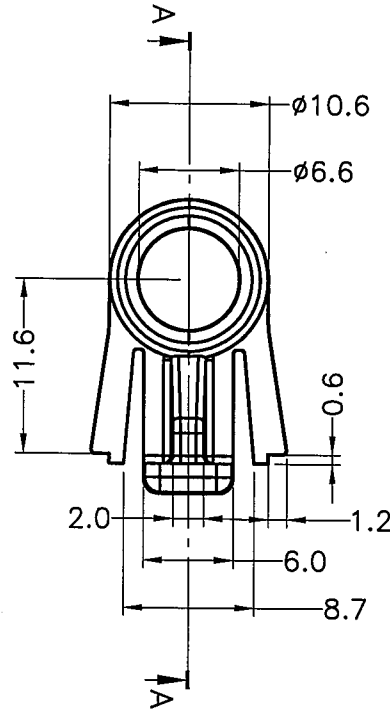


成型尺寸	公差
X.X	±0.5
X.XX	±0.13

REVISIONS			
REV	DESCRIPTION	DATE	BY



SECTION A-A



QMFZ2 Component - Plastics Friday, October 24, 2003 E56071

CHI MEI CORPORATION
59-1 SAN CHIA JEN TE TAINAN HSIEN TAIWAN

Material Designation: PH-88

Product Description: Polystyrene (PS), designated "Polystyrene" furnished as pellets or powder.

Color	Min. Thick. (mm)	Flame Class	HWI	HAI	RTI Elec	RTI Imp	RTI Str	IEC GWIT	IEC GWF
ALL	1.0	HB	-	-	50	50	50	-	-
	1.5	HB	3	3	50	50	50	-	-
	3.0	HB	3	0	50	50	50	-	-

CTI: - IEC CTI: - HVFR: 0 D495: 6 IEC Ball Pressure (°C)

Dielectric Strength (kV/mm) -
ISO Tensile Strength (MPa) -
ISO Tensile Impact (kJ/m²) -

Volume Resistance (10³ohm-cm) -
ISO Flexural Strength (MPa) -
ISO Izod Impact (kJ/m²) -

Dimensional Stability (%): -
ISO Heat Deflection (°C) -
ISO Charpy Impact (kJ/m²) -

Report Date: 9/7/1983

Underwriters Laboratories Inc.®

UL94 small-scale test data does not pertain to building materials, furnishings and related contents. UL 94 small-scale test data is intended solely for determining the flammability of plastic materials used in components and parts of end-product devices and appliances, where the acceptability of the combination is determined by

K 康揚企業股份有限公司
KANG YANG HARDWARE ENTERPRISE CO., LTD.
康揚塑膠(東莞)有限公司
KANG YANG PLASTIC(DONG GUAN) CO., LTD.
ISO 9001
ISO 14001
QC 080000
康哲電腦配件(吳江)有限公司
KANG CHE COMPUTER COMPONENTS(WUJIANG) CO., LTD.

TITLE	零件座	產品規格圖面
MATERIAL	PS PH-88	DATE 2009.09.07
FINISH		DRAWN JIM
COLOR	BLACK	CHECK
PART NUMBER EMU-5	DRAWING NUMBER EMU-5	APPROVED
SIZE A4	SCALE 2:1	UNIT mm
REV A	UNLESS OTHERWISE SPECIFIED TOLERANCE SEE ABOVE	