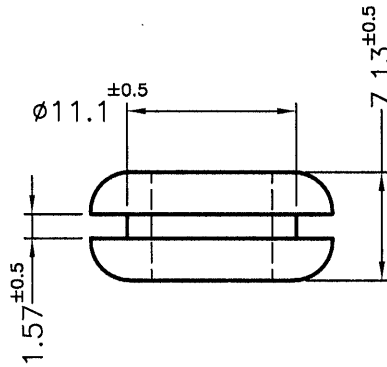
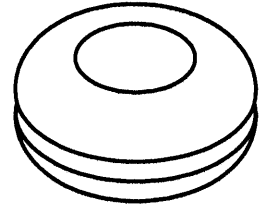
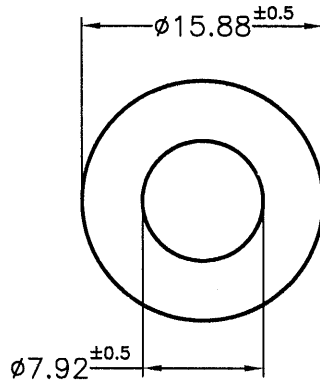




REVISIONS			
REV	DESCRIPTION	DATE	BY



 <p> 康揚企業股份有限公司 KANG YANG HARDWARE ENTERPRISE CO., LTD. 康揚塑膠(東莞)有限公司 KANG YANG PLASTIC(DONG GUAN) CO., LTD. 康哲電腦配件(吳江)有限公司 KANG CHE COMPUTER COMPONENTS(WUJIANG) CO., LTD. </p>		TITLE	GROMMET	SPEC. DWG.	
		MATERIAL	SILICON RUBBER	DATE	2014.07.26
		FINISH		DRAWN	Y.C.P
		COLOR	BLACK	CHECK	
PART NUMBER	GM-138I	DRAWING NUMBER	GM-138I	UNLESS OTHERWISE SPECIFIED TOLERANCE	SEE ABOVE
SIZE	A4	SCALE	2:1	UNIT	mm
		REV	A	APPROVED	