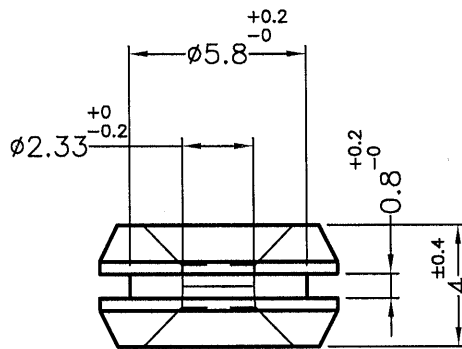
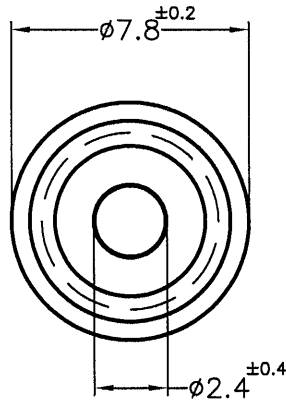


WITH HALOGEN
有鹵料件



符合歐盟ROHS規範 (RoHS Compliant)

★鉛Pb	<1000PPM
★鎘Cd	< 100PPM
★汞Hg	<1000PPM
★六價鉻Cr6+	<1000PPM
★多溴聯苯類PBBs	<1000PPM
★多溴聯苯醚類PBDEs	<1000PPM
★有鹵料件 Halogen-containing Product	



康揚企業股份有限公司
KANG YANG HARDWARE ENTERPRISE CO., LTD.
康揚塑膠(東莞)有限公司
KANG YANG PLASTIC(DONG GUAN)CO.,LTD.
康哲電腦配件(吳江)有限公司
KANG CHE COMPUTER COMPONENTS(WUJIANG)CO.,LTD.

PROPRIETARY AND CONFIDENTIAL THE INFORMATION CONTAINED IN THIS DRAWING IS THE SOLE PROPERTY OF KANG YANG HARDWARE ENTERPRISE CO. ANY REPRODUCTION IN PART OR AS A WHOLE WITHOUT THE WRITTEN PERMISSION OF KANG YANG HARDWARE ENTERPRISE CO. IS PROHIBITED. DO NOT SCALE DRAWING	DATE	2007.07.05	TITLE	GROMMET		DWG. NO.	GM-49		PART NO.	GM-49		
	DRAWN	BUNNY		MATERIAL	RUBBER(NBR)		SIZE	A4		SPEC. DWG	REV	
	CHECKED	<i>Den</i>		COLOR	BLACK	HARDNESS	50°±10°		SCALE: 4:1		UNIT	mm
	APPROVED	<i>Kang</i>		UNLESS OTHERWISE SPECIFIED TOLERANCE:	SEE ABOVE		SHEET 1 OF 1					