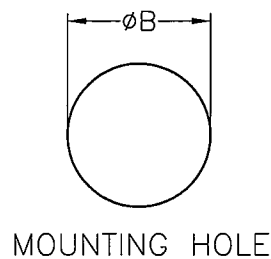
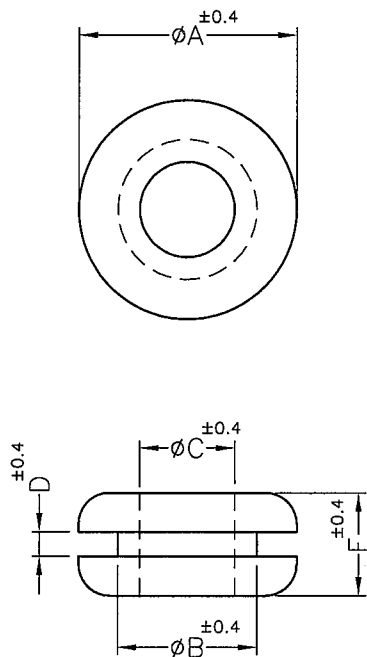


WITH HALOGEN
有鹵料件



PART NO	A	B	C	D	E
GM-2	10.8	8.0	4.5	1.6	4.5
GM-3	14.4	9.5	6.3	1.6	7.0
GM-3A	14.2	11.0	8.0	1.6	4.8
GM-4	17.5	12.7	9.5	1.6	6.8
GM-5	22.0	17.5	14.2	1.6	4.8
GM-6	22.0	19.0	16.0	1.6	5.5
GM-6A	25.0	19.5	18.0	1.6	6.0
GM-7	31.4	25.2	18.5	1.6	8.0
GM-8	19.5	14.0	6.0	1.0	7.0
GM-9	15.9	12.7	9.5	1.6	6.4
GM-15	10.8	8.0	5.0	1.6	4.5



康揚企業股份有限公司
KANG YANG HARDWARE ENTERPRISE CO., LTD.
康揚塑膠(東莞)有限公司
KANG YANG PLASTIC(DONG GUAN)CO.,LTD.
康哲電腦配件(吳江)有限公司
KANG CHE COMPUTER COMPONENTS(WUJIANG)CO.,LTD.

PROPRIETARY AND CONFIDENTIAL THE INFORMATION CONTAINED IN THIS DRAWING IS THE SOLE PROPERTY OF KANG YANG HARDWARE ENTERPRISE CO. ANY REPRODUCTION IN PART OR AS A WHOLE WITHOUT THE WRITTEN PERMISSION OF KANG YANG HARDWARE ENTERPRISE CO. IS PROHIBITED. DO NOT SCALE DRAWING	DATE	2005.08.23	TITLE	GROMMET		GM-H	SEE ABOVE				
	DRAWN	Eric	MATERIAL	RUBBER(NBR)							
	CHECKED	林祺翔	COLOR	BLACK	FINISH		SIZE	A4	SPEC. DWG	REV	C
	APPROVED	Kang	UNLESS OTHERWISE SPECIFIED TOLERANCE: SEE ABOVE		SCALE: NONE	UNIT	mm	SHEET 1 OF 1			