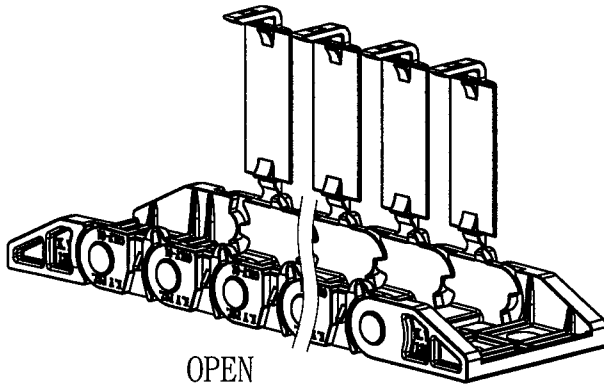
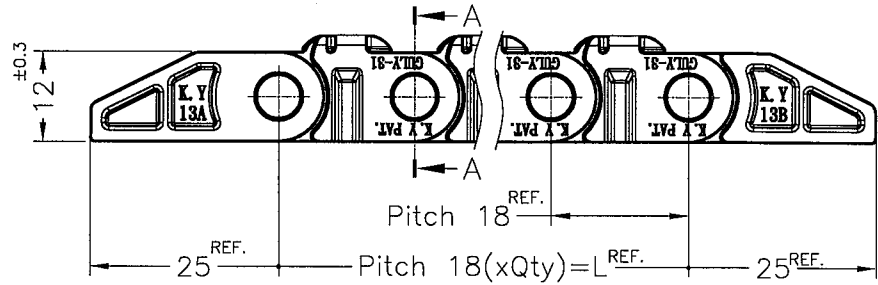
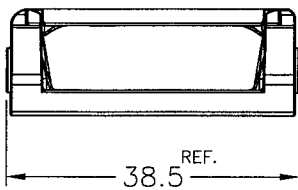
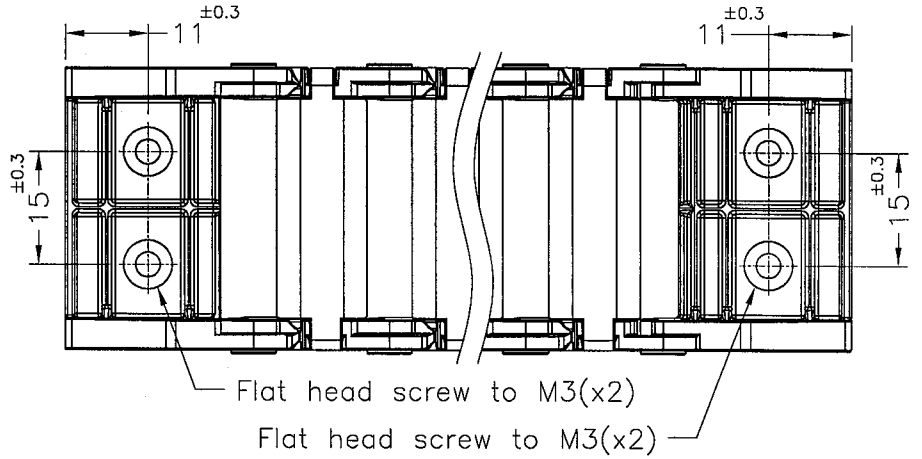
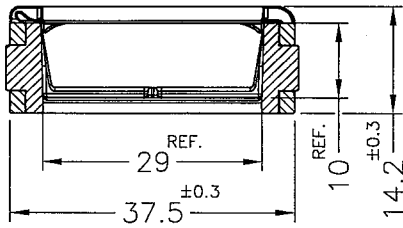
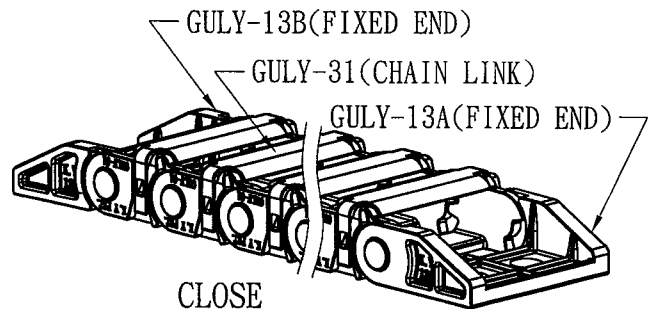


Patented Product
專利產品



OPEN



CLOSE

- NOTE: 1. GULY-31AB-□F: THE BLANK MEANS QUANTITY, THE P/N WILL BE CHANGED ACCORDING TO REQUEST.
FOR EXAMPLE, 20 PCS OF GULY-31 NEEDED, THEN THE P/N WILL BE GULY-31AB-20F.
GULY-31AB-□F: 空白處代表GULY-31數量, 組合碼依數量不同而變動, 假設GULY-31數量需求20顆, 組合料號為GULY-31AB-20F, 以此類推.
2. GULY-31AB-□F: NEED TO USE GULY-13A AND GULY-13B TO ASSEMBLE AT THE SAME TIME.
FIXED PORTION'S 2 SIDES WIRES EXIT GAP MUST BE UPWARD.
GULY-31AB-□F: 需與GULY-13A及GULY-13B搭配使用, 兩側固定端出線缺口一致向上.
3. WIRE PLEASE DONT FILL MORE THAN 70% OF THE CROSS-SECTION!
線材請勿裝超過橫切面的70%!
4. MADE OF EQUIVALENT MATERIAL.
均可使用同等材質.
5. SLIGHT DEFORMED IS NORMAL STATUS.
輕微變形為正常現象.



康揚企業股份有限公司
KANG YANG HARDWARE ENTERPRISE CO., LTD.
康揚塑膠(東莞)有限公司
KANG YANG PLASTIC(DONG GUAN)CO.,LTD.
康哲電腦配件(吳江)有限公司
KANG CHE COMPUTER COMPONENTS(WUJIANG)CO.,LTD.

康揚塑膠五金(泰國)有限公司
บริษัท คัง หยาง ฮาร์ดแวร์ (ไทยแลนด์) จำกัด
KANG YANG HARDWARE (THAILAND) CO., LTD.
康揚越南有限公司
CÔNG TY TNHH KANG YANG VIỆT NAM
KANG YANG VIETNAM CO., LTD.

PROPRIETARY AND CONFIDENTIAL THE INFORMATION CONTAINED IN THIS DRAWING IS THE SOLE PROPERTY OF KANG YANG HARDWARE ENTERPRISE CO. ANY REPRODUCTION IN PART OR AS A WHOLE WITHOUT THE WRITTEN PERMISSION OF KANG YANG HARDWARE ENTERPRISE CO. IS PROHIBITED. DO NOT SCALE DRAWING	DATE	2024.04.12	TITLE	CABLE CHAIN		DWG. NO.	PART NO.	
	DRAWN	<i>H.W</i>	CHAIN LINK MATERIAL / COLOR	NYLON66 UL94V-2/BLACK		GULY-31AB-F		GULY-31AB- F
	CHECKED	<i>Kenny</i>	FIXED END MATERIAL / COLOR	NYLON66 UL94V-0+GF/BLACK		SIZE	SPEC. DWG	REV
	APPROVED	<i>Kang</i>	UNLESS OTHERWISE SPECIFIED TOLERANCE:	SEE ABOVE		A4		B
			SCALE: 1:1	UNIT	mm	SHEET 1 OF 1		