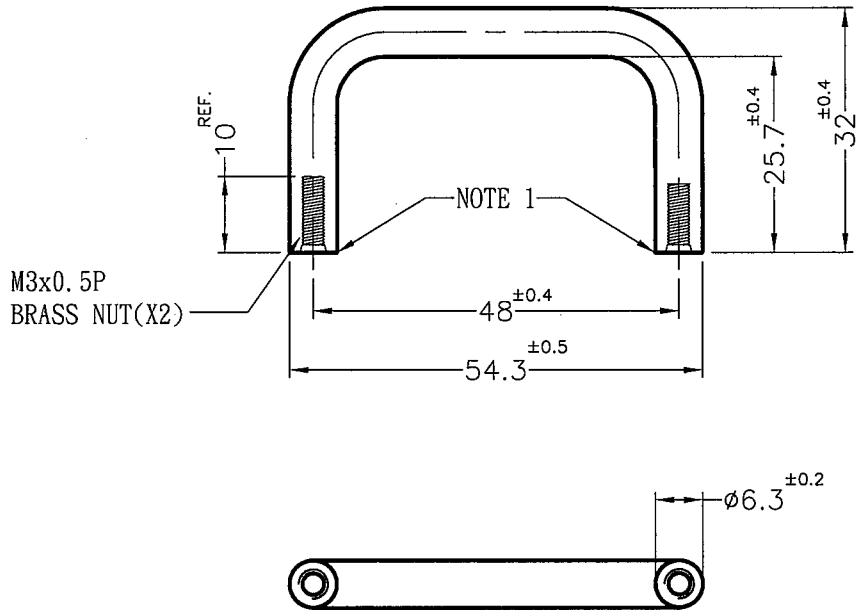

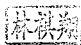



REVISIONS			
REV	DESCRIPTION	DATE	BY



NOTE:1. SHRINKING IS NORMAL STATUS.
 內縮屬正常現象。
 2. MADE OF EQUIVALENT MATERIAL.
 可使用同等材質。

符合歐盟ROHS規範 (RoHS Compliant)	
★鉛Pb	<1000PPM
★鎘Cd	< 100PPM
★汞Hg	<1000PPM
★六價鉻Cr6+	<1000PPM
★多溴聯苯類PBBs	<1000PPM
★多溴聯苯醚類PBDEs	<1000PPM

 康揚企業股份有限公司 KANG YANG HARDWARE ENTERPRISE CO., LTD. 康揚塑膠(東莞)有限公司 KANG YANG PLASTIC(DONG GUAN)CO.,LTD. 康哲電腦配件(吳江)有限公司 KANG CHE COMPUTER COMPONENTS(WUJIANG) CO.,LTD.		TITLE	HANDLE	SPEC. DWG.			
		MATERIAL	NYLON 66 UL94V-0	DATE	2009.06.11		
		NUT MATERIAL	BRASS	DRAWN	SAI		
		COLOR	BLACK	CHECK			
PART NUMBER	HANU-48NV0B	DRAWING NUMBER	HANU-48NV0	UNLESS OTHERWISE SPECIFIED TOLERANCE	SEE ABOVE	APPROVED	
SIZE	A4	SCALE	1:1	UNIT	mm	REV	A