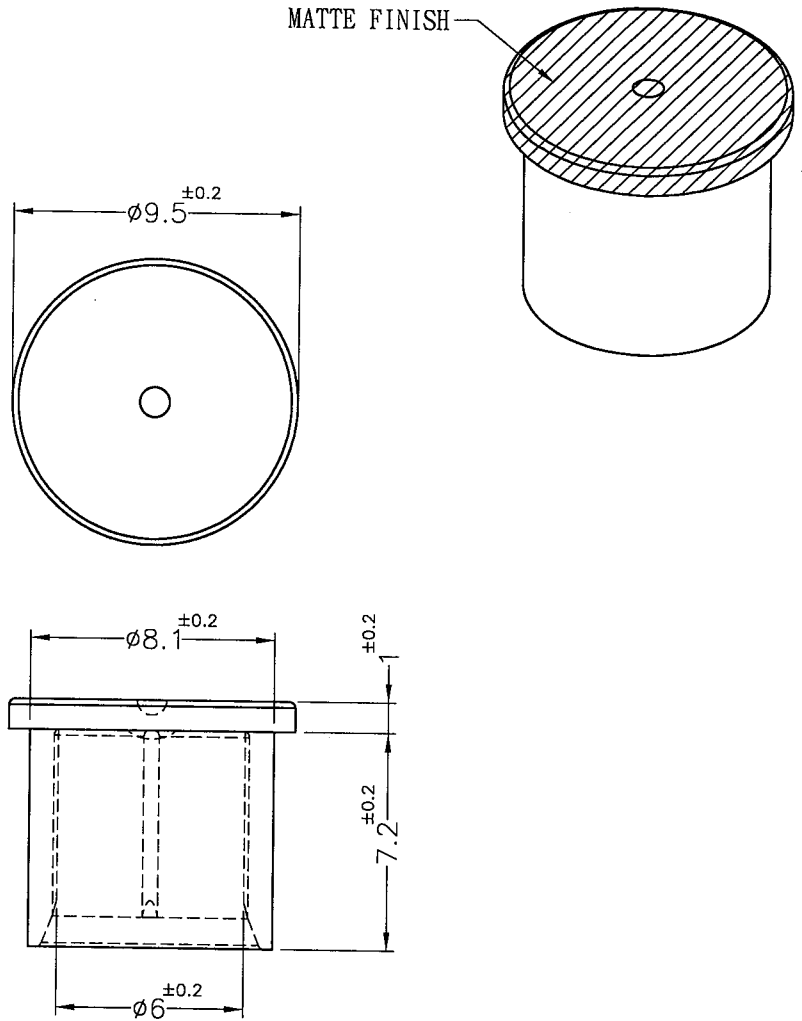


MATTE FINISH



- NOTE: 1. MADE OF PLASTIC OR EQUIVALENT MATERIALS.
 塑膠製品或同等材質。
 2. THE COLOR BATCH TEST REPORT IS ONLY FOR FIRST LOT TEST.
 色母環保檢測報告, 僅提供原始測試報告。
 3. SHRINKING IS NORMAL STATUS.
 內縮為正常現象。



ISO 9001
 ISO 14001
 QC 080000
 IATF 16949

康揚企業股份有限公司
 KANG YANG HARDWARE ENTERPRISE CO., LTD.
 康揚塑膠(東莞)有限公司
 KANG YANG PLASTIC(DONG GUAN)CO.,LTD.
 康哲電腦配件(吳江)有限公司
 KANG CHE COMPUTER COMPONENTS(WUJIANG)CO.,LTD.

康揚塑膠五金(泰國)有限公司
 บริษัท สี่ พยางค์ ฮาร์ดแวร์ (ไทยแลนด์) จำกัด
 KANG YANG HARDWARE (THAILAND) CO., LTD.
 康揚越南有限公司
 CÔNG TY TNHH KANG YANG VIỆT NAM
 KANG YANG VIETNAM CO., LTD.

PROPRIETARY AND CONFIDENTIAL THE INFORMATION CONTAINED IN THIS DRAWING IS THE SOLE PROPERTY OF KANG YANG HARDWARE ENTERPRISE CO. ANY REPRODUCTION IN PART OR AS A WHOLE WITHOUT THE WRITTEN PERMISSION OF KANG YANG HARDWARE ENTERPRISE CO. IS PROHIBITED. DO NOT SCALE DRAWING	DATE	2025.06.09	TITLE	CONNECTOR COVER	DWG. NO.	PART NO.	
	DRAWN	Howl	MATERIAL	NYLON 66(PA66) UL94V-0	KPS-50NV1B	KPS-50NV1B	
	CHECKED		COLOR	BLACK	FINISH	SIZE	REV
	APPROVED		UNLESS OTHERWISE SPECIFIED TOLERANCE:	SEE ABOVE	SCALE: 4:1	UNIT	mm
						SPEC. DWG.	A
							SHEET 1 OF 1