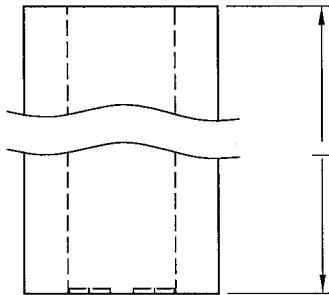
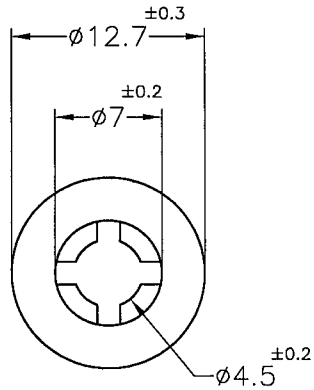


DIM.	TOL
L≤10	±0.2
10<L≤30	±0.3
30<L≤50	±0.5
50<L≤100	±0.7
100<L≤250	±1.2
ABOVE 250	±1.5



PART NO.	L
KWH6-6.4	6.4
KWH6-9.5	9.5
KWH6-12.7	12.7
KWH6-15.9	15.9
KWH6-19.1	19.1
KWH6-22.2	22.2
KWH6-25.4	25.4

NOTE:MADE OF EQUIVALENT MATERIAL.  
均可使用同等材質。



ISO 9001  
ISO 14001  
QC 080000  
IATF 16949

康揚企業股份有限公司  
KANG YANG HARDWARE ENTERPRISE CO., LTD.

康揚塑膠(東莞)有限公司  
KANG YANG PLASTIC(DONG GUAN)CO.,LTD.

康哲電腦配件(吳江)有限公司  
KANG CHE COMPUTER COMPONENTS(WUJIANG)CO.,LTD.

康揚塑膠五金(泰國)有限公司

บริษัท ตั้ง ขวาง ฮาร์ดแวร์ (ไทยแลนด์) จำกัด

KANG YANG HARDWARE (THAILAND) CO., LTD.

康揚越南有限公司

CÔNG TY TNHH KANG YANG VIỆT NAM

KANG YANG VIETNAM CO., LTD.

PROPRIETARY AND CONFIDENTIAL THE INFORMATION CONTAINED IN THIS DRAWING IS THE SOLE PROPERTY OF KANG YANG HARDWARE ENTERPRISE CO. ANY REPRODUCTION IN PART OR AS A WHOLE WITHOUT THE WRITTEN PERMISSION OF KANG YANG HARDWARE ENTERPRISE CO. IS PROHIBITED.  DO NOT SCALE DRAWING	DATE	2024.11.08	TITLE	PCB SPACER	DWG. NO.	KWH6-H	PART NO.	SEE ABOVE
	DRAWN	Terry	MATERIAL	NYLON 66 UL94V-2	SIZE	A4	SPEC. DWG.	REV
	CHECKED	[Yuping]	COLOR	NATURAL	FINISH			A
	APPROVED	[Signature]	UNLESS OTHERWISE SPECIFIED TOLERANCE:	SEE ABOVE	SCALE:	2:1	UNIT	mm