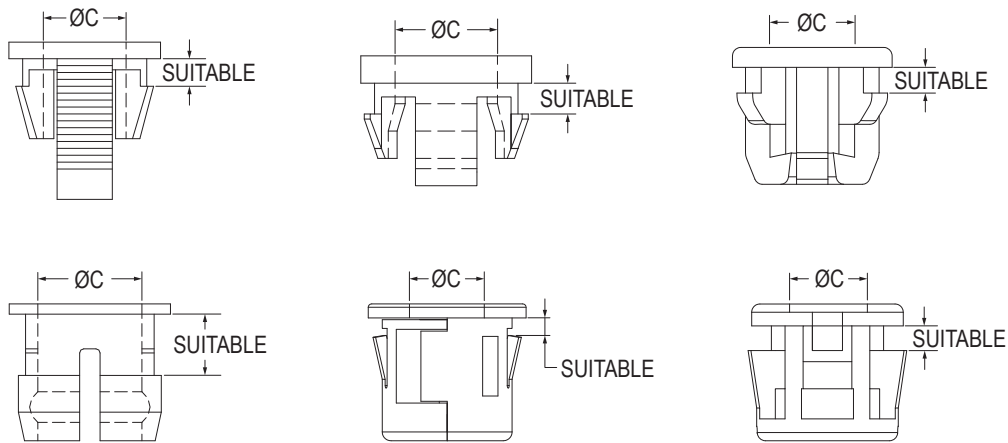


2

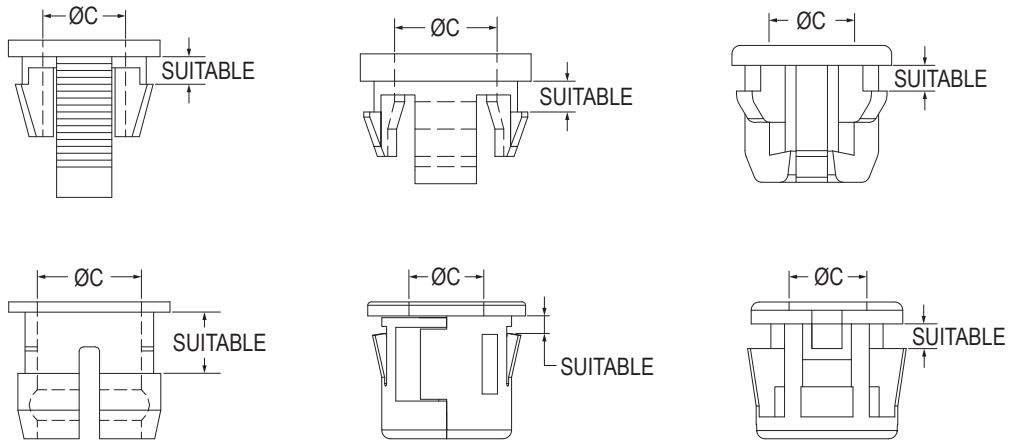


- LED間隔柱
LED Spacers
- LED座/套
LED Mounts & Sleeves
- LED導光罩
LED Lens Caps
- LED導光柱
Light Pipes
- LED遮光罩
Light Pipe Masks
- LED導光座
Light Pipe Mounts
- 光纖座
Optical Fiber Mounts





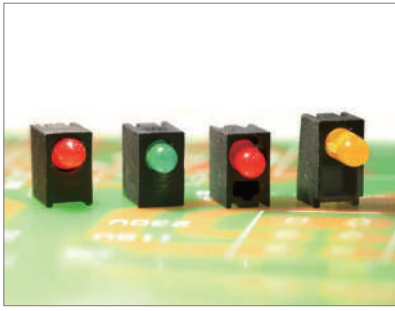
Part No.	Chassis	Suitable	ØC	Page
LED3-53	Ø4.2~Ø4.3	0.8	3.0	2-24
LED3-61	Ø4.3	0.7	3.0	2-23
LED3-29	Ø4.3	0.8	3.0	2-22
LED3-4	Ø4.5	0.8	3.0	2-22
LED3-6	Ø4.5	0.8	3.0	2-22
LED3-45	Ø4.5	0.8	3.0	2-24
LED3-1	Ø4.5	0.8~1.2	3.1	2-22
LED3-8	Ø4.5	0.8~1.2	3.1	2-22
LED3-20	Ø4.5	1.0	3.0	2-22
LED3-7	Ø4.5	1.6	3.0	2-22
LED3-2	Ø4.5	1.7	3.0	2-22
LED3-23	Ø4.8	0.8	3.0	2-23
LED3-38	Ø5.0	0.8	2.8	2-23
LED3-49	Ø5.0	0.8	2.87	2-30
LED3-50	Ø5.0	0.8	2.87	2-30
LED3-22	Ø5.0	0.8	3.0	2-23
LED3-37	Ø5.0	0.8	3.0	2-23
LED3-31	Ø5.0	0.8	3.0	2-29
LED3-44	Ø5.0	0.8	3.0	2-23
LED3-46	Ø5.0	0.8	3.0	2-24
LED3-5	Ø5.0	1.0~1.1	3.0	2-22
LED3-50L	Ø5.0	1.1	2.87	2-30
LED3-17-0.6	Ø5.2	0.6	2.9	2-29
LED3-18	Ø5.2	0.8	2.9	2-29
LED3-40S	Ø5.2	0.8	2.9	2-29
LED3-43	Ø5.2	0.8	2.9	2-29
LED3-55	Ø5.2	0.8	2.9	2-29
LED3-28	Ø5.2	0.8	3.0	2-23
LED3-25	Ø5.2	0.8	3.0	2-28
LED3-64	Ø5.2	0.8	3.0	2-29
LED3-18L	Ø5.2	0.8	3.1	2-29
LED3-40	Ø5.2	0.8~1.0	2.8	2-29
LED3-17	Ø5.2	0.8~1.0	2.9	2-28
LED3-35	Ø5.2	0.8~1.0	2.9	2-28
LED3-42	Ø5.2	0.8~1.0	2.95	2-29
LED3-59	Ø5.2	0.9	2.9	2-29
LED3-30	Ø5.2	1.1	3.0	2-29



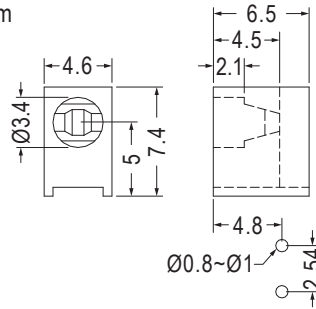
Part No.	Chassis	Suitable	ØC	Page
LED3-41	Ø5.2	1.2	2.8	2-29
LED3-24	Ø5.2	1.2	2.9	2-29
LED3-34	Ø5.3	0.8	3.1	2-23
LEQU3-1	Ø5.9	0.6~0.8	4.1	2-24
LEQU3-2	Ø5.9	0.6~0.8	4.1	2-24
LED5-11	Ø6.0	0.8~1.0	5.1	2-27
LED5-5	Ø6.0	1.8	5.1	2-25
LED5-13	Ø6.2	1.2~1.6	5.1	2-27
LED3-16	Ø6.35	0.6~1.0	3.0	2-28
LED5-8	Ø6.35	0.9	5.0	2-25
LED3-16M	Ø6.35	1.0~1.2	3.0	2-28
LED3-19	Ø6.35	2.0	3.1	2-23
LED3-33	Ø6.35~Ø6.4	0.8	3.0	2-28
LED3-15	Ø6.4	0.6~1.0	3.0	2-28
LED3-15M	Ø6.4	1.0~1.2	3.0	2-28
LED5-1S	Ø6.4	1.2	5.0	2-25
LED5-1	Ø6.4	1.5	5.0	2-25
LED5-2	Ø6.4	3.0	5.1	2-26
LED5-16S	Ø6.5	0.6~1.2	5.0	2-26
LED5-14	Ø6.5	0.8~1.0	5.0	2-27
LED5-28	Ø7.0	0.6~0.8	4.9	2-26
LED5-29	Ø7.0	0.8	5.0	2-26
LED5-9S	Ø7.0	0.8	5.1	2-26
LED5-24	Ø7.0	0.8~1.0	5.0	2-30
LED5-9	Ø7.0	0.8~1.4	5.1	2-26
LED5-28L	Ø7.0	1.0	4.9	2-26
LED5-24M	Ø7.0	1.2	5.0	2-30
LED5-24L	Ø7.0	1.6	5.0	2-30
LED5-6	7.0x6.0	1.0	5.8	2-25
LED5-25	Ø7.2	1.2	5.0	2-27
LED3-14	Ø7.5	0.6~1.0	3.0	2-27
LED5-18	Ø7.5	0.6~1.0	5.0	2-28
LED3-14M	Ø7.5	1.0~1.2	3.0	2-28
LED5-18M	Ø7.5	1.0~1.2	5.0	2-28
LED5-18L	Ø7.5	1.5	5.0	2-28
LED5-17	Ø9.0	0.6~1.0	5.0	2-28
LED5-17M	Ø9.0	1.0~1.2	5.0	2-28

90° LED座 90° LED MOUNT

用途：使 $\varnothing 3$ mm LED成90°焊於PC板上，高度一致，不斷腳。

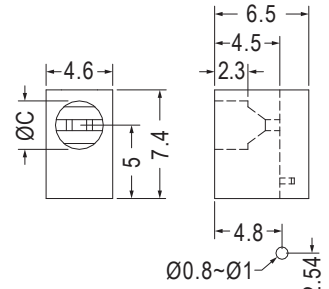


- Material: Nylon 66 (UL)
- Flame Class: 94V-2/94V-0
- Color: Black
- Unit: mm



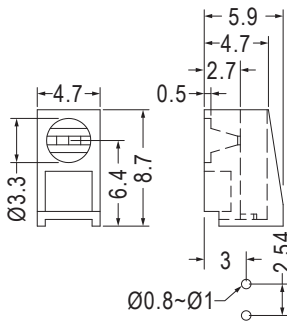
MOUNTING HOLE

Part No.	Package
LED-301	2000



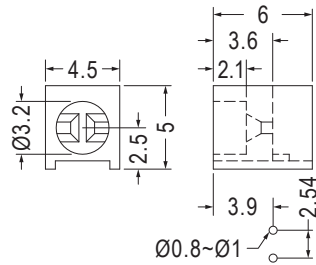
MOUNTING HOLE

Part No.	C	Package
LED-301A	3.4	2000
LED-301(B)	3.3	



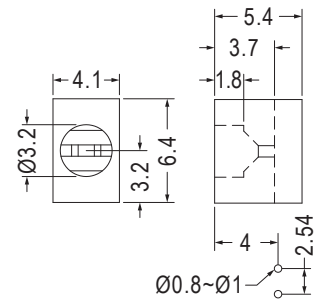
MOUNTING HOLE

Part No.	Package
LED-312	2000



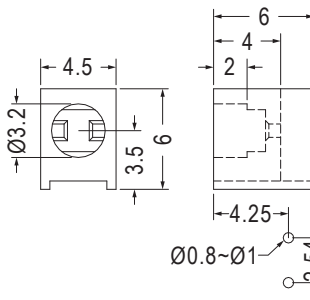
MOUNTING HOLE

Part No.	Package
LED-313	2000



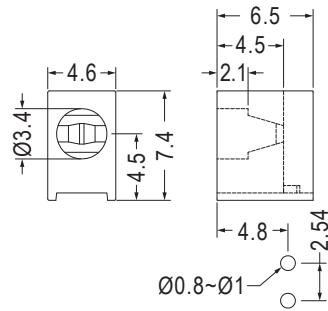
MOUNTING HOLE

Part No.	Package
LED-314	2000



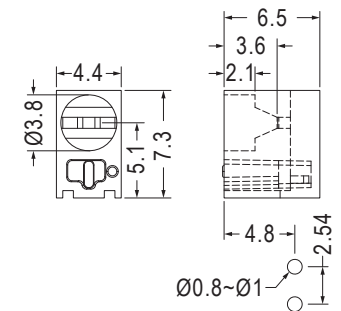
MOUNTING HOLE

Part No.	Package
LED-316	2000



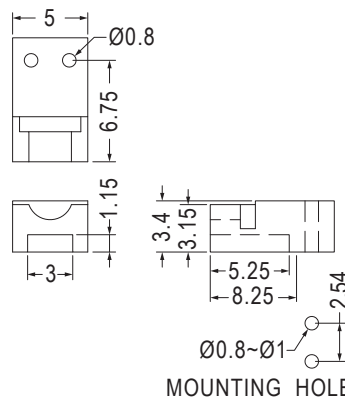
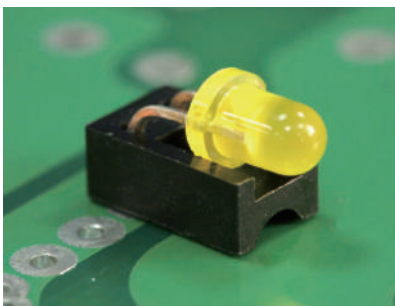
MOUNTING HOLE

Part No.	Package
LED-326	1000



MOUNTING HOLE

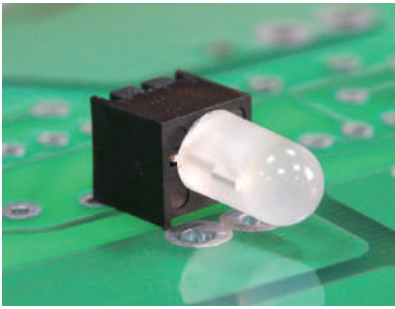
Part No.	Package
LED-328	1000



MOUNTING HOLE

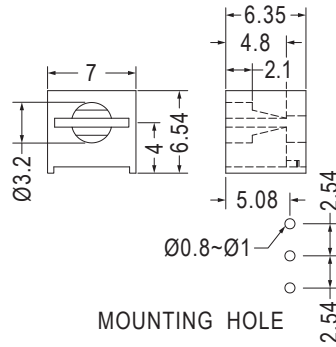
Part No.	Package
LED-325	1000

90° LED座 90° LED MOUNT



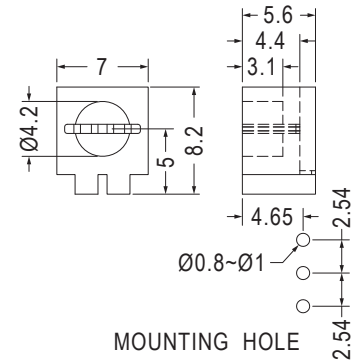
- Material: Nylon 66 (UL)
- Flame Class: 94V-2/94V-0
- Color: Black
- Unit: mm

用途：使 $\varnothing 3$ mm 3 PIN LED成90°焊於PC板上，高度一致，不斷腳。



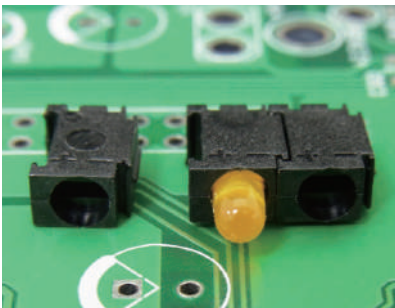
MOUNTING HOLE

Part No.	Package
LED-343	1000



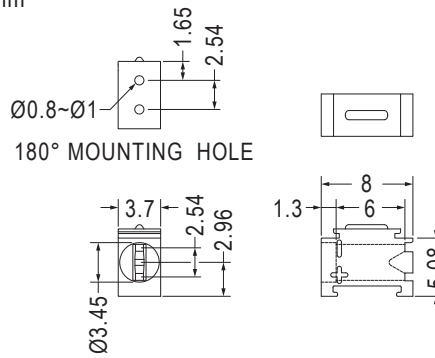
MOUNTING HOLE

Part No.	Package
LED-319	1000

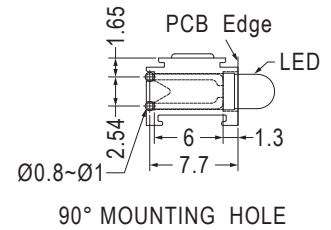


- Material: Nylon 66 (UL)
- Flame Class: 94V-2/94V-0
- Color: Black
- Unit: mm

用途：使 $\varnothing 3$ mm LED成90°焊於PC板上，高度一致，不斷腳，可組合使用。

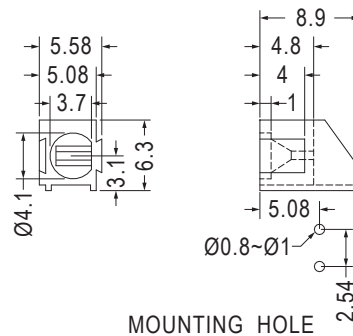
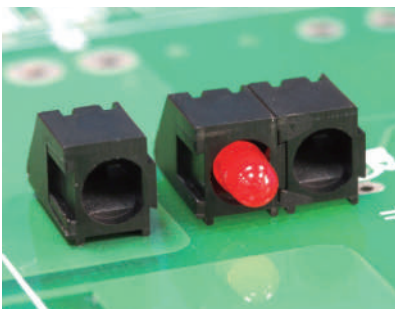


180° MOUNTING HOLE



90° MOUNTING HOLE

Part No.	Package
LED-344	1000



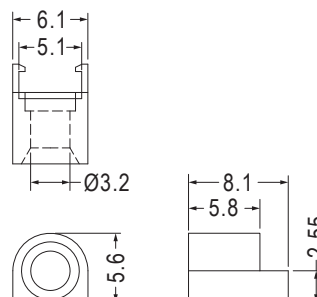
MOUNTING HOLE

Part No.	Package
LED-6301	2000



- Material: ABS
- Color: Black
- Unit: mm

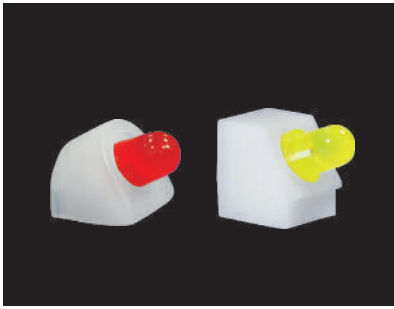
用途：可快速將 $\varnothing 3$ mm LED固定於機器面板上。



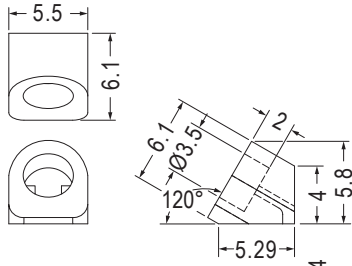
Part No.	Package
LED3-21	2000

45° LED座 45° LED MOUNT

用途：使 $\varnothing 3$ mm LED成斜角焊於PC板上，高度一致，不斷腳。

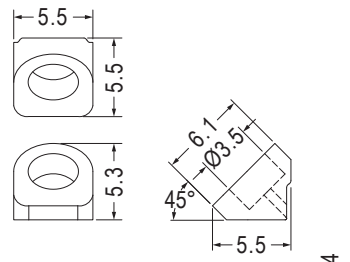


- Material: Nylon 66 (UL)
- Flame Class: 94V-2/94V-0
- Color: Natural/Black
- Unit: mm



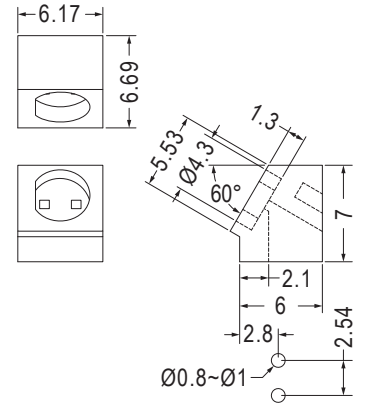
MOUNTING HOLE

Part No.	Package
LEDA-5	1000



MOUNTING HOLE

Part No.	Package
LEDA-6	1000



MOUNTING HOLE

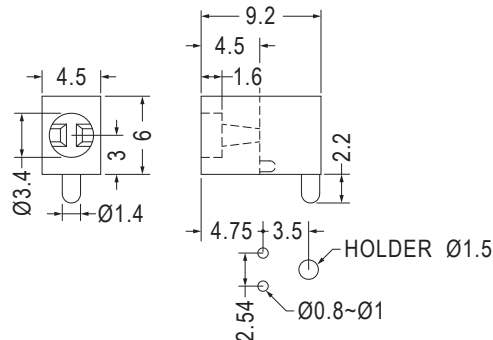
Part No.	Package
LEDA-4	1000

90° LED座 90° LED MOUNT

用途：使 $\varnothing 3$ mm LED成90°焊於PC板上，高度一致，有定位腳，不傾斜。

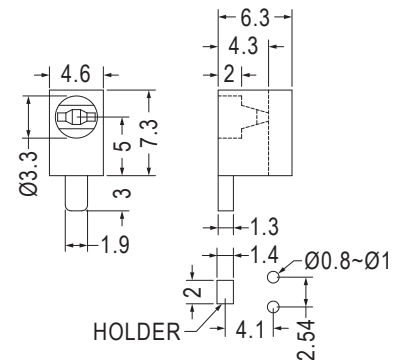


- Material: Nylon 66 (UL)
- Flame Class: 94V-2/94V-0
- Color: Black
- Unit: mm



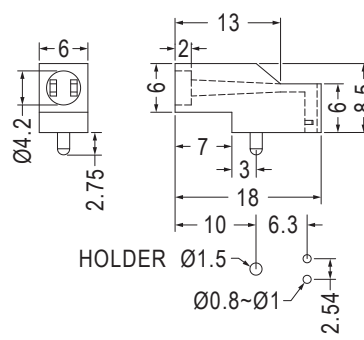
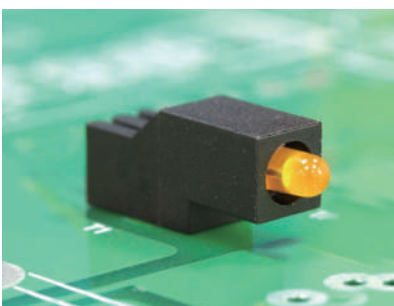
MOUNTING HOLE

Part No.	Package
LEK-301	1000



MOUNTING HOLE

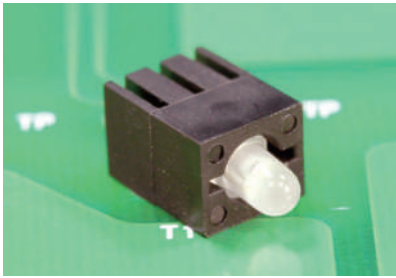
Part No.	Package
LEK-302	1000



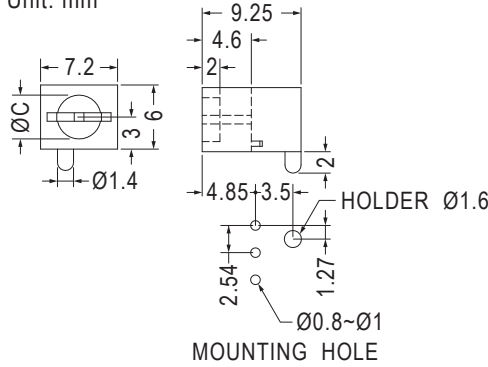
MOUNTING HOLE

Part No.	Package
LEK-311	1000

90° LED座 90° LED MOUNT

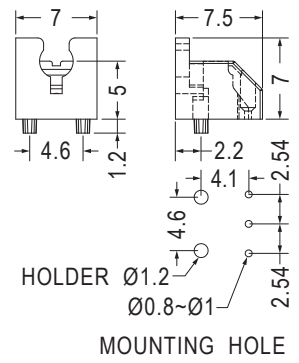


- Material: Nylon 66 (UL)
- Flame Class: 94V-2/94V-0
- Color: Black
- Unit: mm

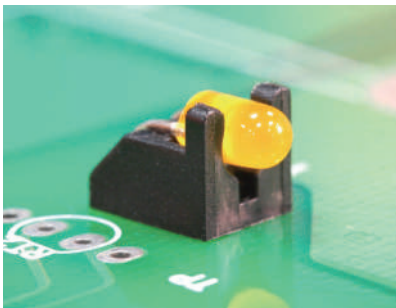


Part No.	C	Package
LEK-303	4.1	1000
LEK-303L	4.25	

用途：使 $\varnothing 3$ mm 3 PIN LED成90°焊於PC板上，高度一致，有定位腳，不傾斜。

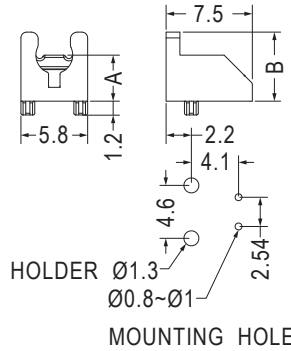


Part No.	Package
LEJ3-5	1000

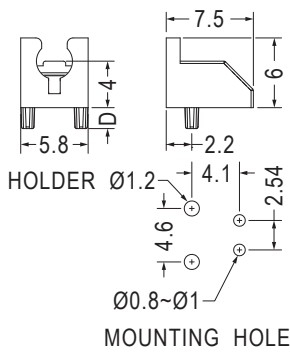


- Material: Nylon 66 (UL)/ABS (UL)
- Flame Class: 94HB/94V-2/94V-0
- Color: Black
- Unit: mm

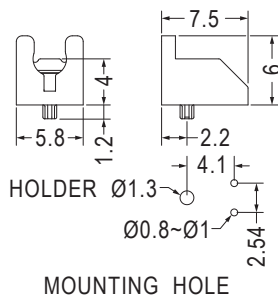
用途：使 $\varnothing 3$ mm LED成90°焊於PC板上，高度一致，有定位腳，不傾斜。



Part No.	A	B	Package
LEJ-4	4.0	6.0	1000
LEJ-5	5.0	7.0	
LEJ-6	6.0	8.0	
LEJ-7	7.0	9.0	
LEJ-8	8.0	10.0	
LEJ-9	9.0	11.0	
LEJ-13	13.0	15.0	

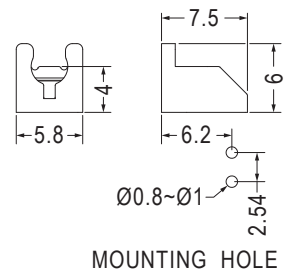


Part No.	D	Package
LEJ-4S	1.8	1000
LEJ-4M	3.0	



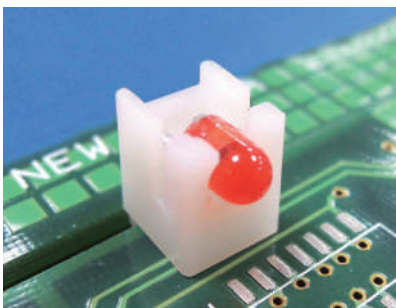
- Material: PC+ABS (UL)
- Flame Class: 94V-2/94V-0

Part No.	Package
LEJT-4	1000

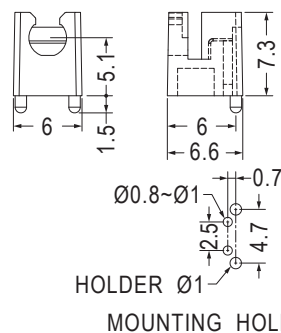


• 底部無定位腳

Part No.	Package
LEJN-4	1000



- Material: ABS (UL)
- Flame Class: 94HB
- Color: Natural
- Unit: mm



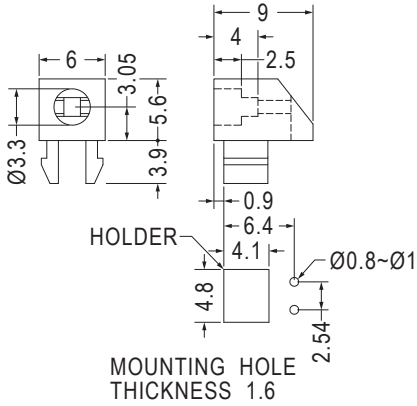
Part No.	Package
LEJA-5	2000

90° LED座 90° LED MOUNT

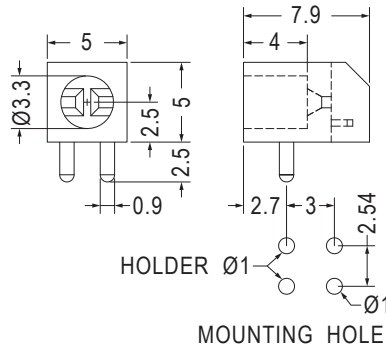
用途：使Ø3 mm LED成90°焊於PC板上，高度一致，有定位腳，不傾斜。



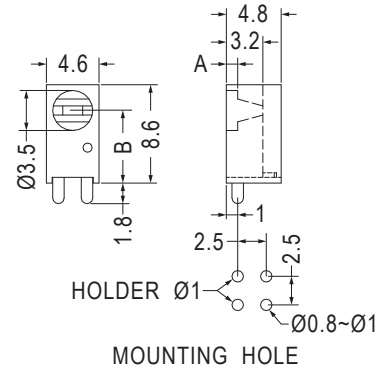
- Material: Nylon 66 (UL)
- Flame Class: 94V-2/94V-0
- Color: Natural/Black
- Unit: mm



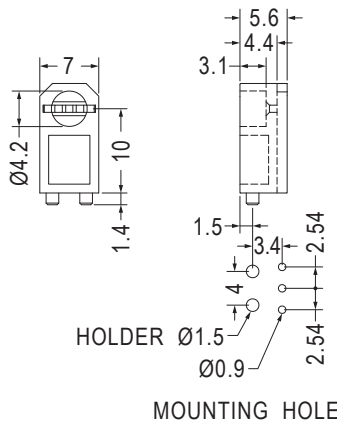
Part No.	Package
LEK-314	1000



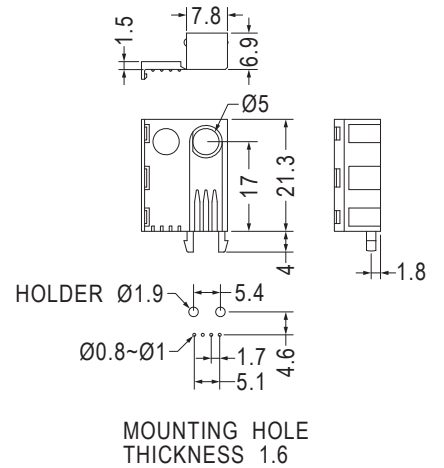
Part No.	Package
LEK-3111	1000



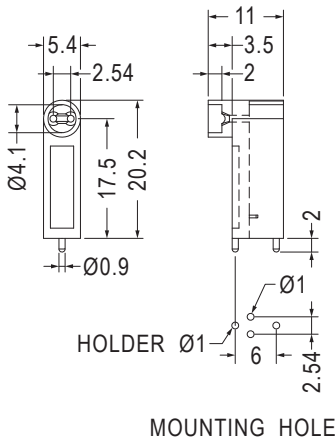
Part No.	A	B	Package
LEK-304	1.0	6.4	1000
LEK-310	2.0	6.35	



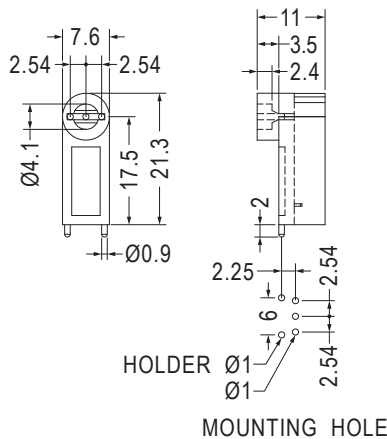
Part No.	Package
LEK-555	1000



Part No.	Package
LEK54-17	1000

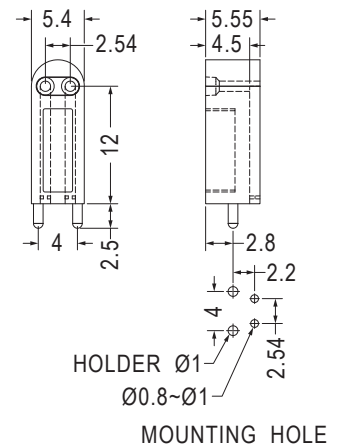


Part No.	Package
LEAK-17.5	1000



Part No.	Package
LEAK3-17.5	1000

• FOR 3 PIN LED

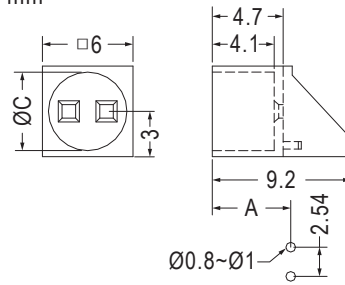
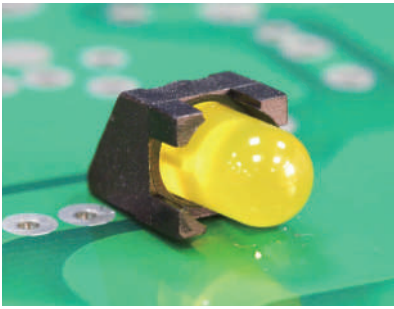


Part No.	Package
LEKH-12	1000

90° LED座 90° LED MOUNT

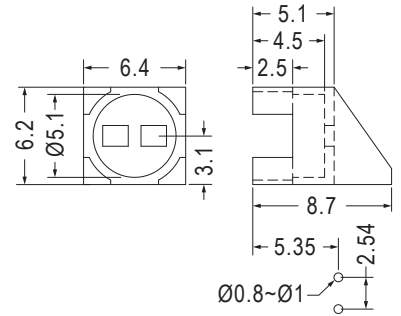
用途：使 $\varnothing 5$ mm LED成90°焊於PC板上，高度一致，不斷腳。

- Material: Nylon 66 (UL)
- Flame Class: 94V-2/94V-0
- Color: Black
- Unit: mm



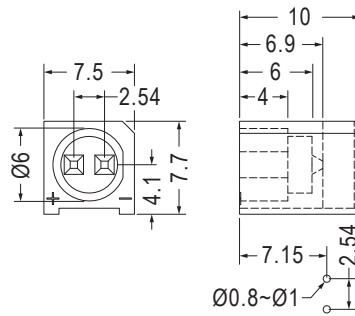
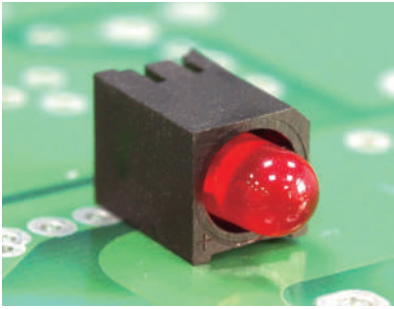
MOUNTING HOLE

Part No.	A	C	Package
LED-502	4.95	5.2	2000
LED-502S	5.0	4.9	



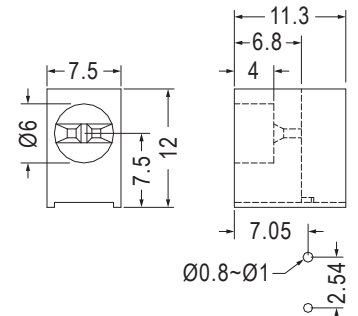
MOUNTING HOLE

Part No.	Package
LED1L-2.5	2000



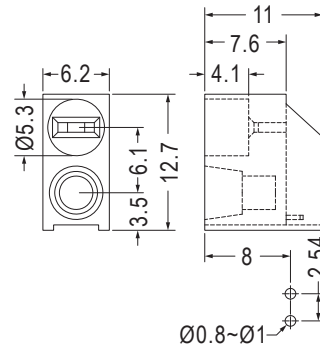
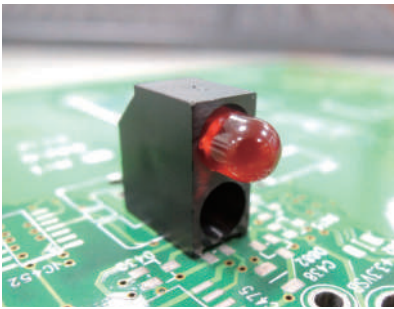
MOUNTING HOLE

Part No.	Package
LED-542	1000



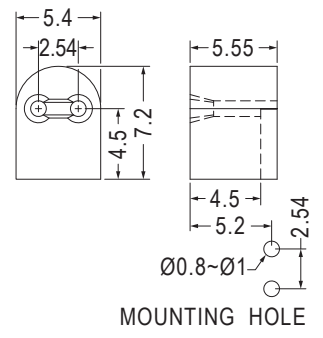
MOUNTING HOLE

Part No.	Package
LED-504	1000



MOUNTING HOLE

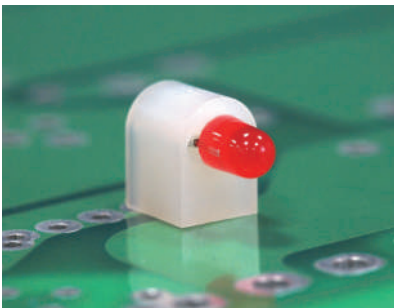
Part No.	Package
LED-528	1000



MOUNTING HOLE

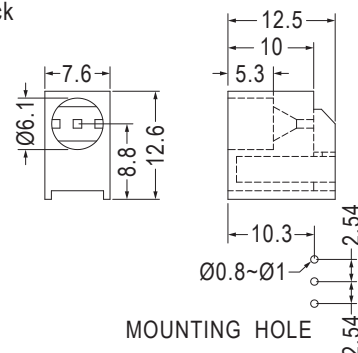
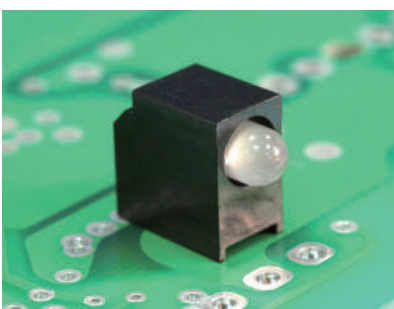
Part No.	Package
LEAH-4.5	2000

- Color: Natural/Black



- Material: PC (UL)
- Flame Class: 94V-2
- Color: Black
- Unit: mm

用途：使 $\varnothing 5$ mm 3 PIN LED成90°焊於PC板上，高度一致，不斷腳。



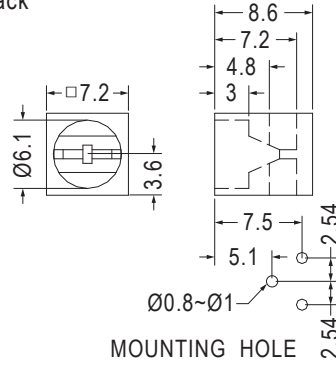
MOUNTING HOLE

Part No.	Package
LED-535	500

90° LED座 90° LED MOUNT

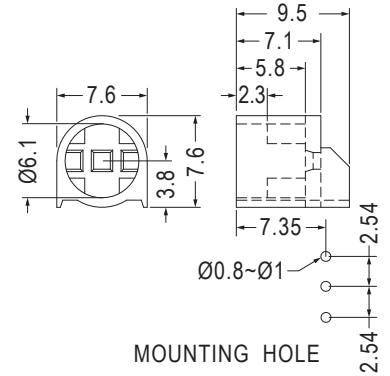


- Material: Nylon 66 (UL)
- Flame Class: 94V-2/94V-0
- Color: Black
- Unit: mm

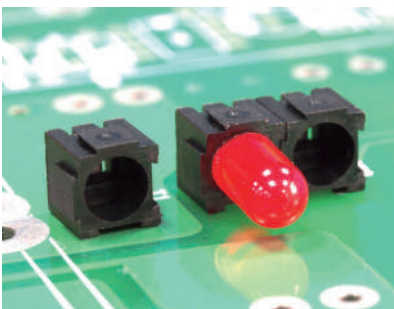


Part No.	Package
LED-503	1000

用途：使 $\varnothing 5$ mm 3 PIN LED成90°焊於PC板上，高度一致，不斷腳。

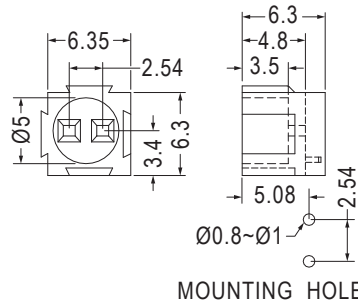


Part No.	Package
LED-501	1000



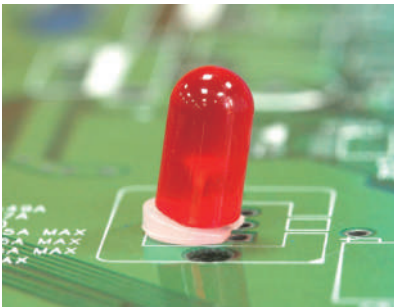
- Material: Nylon 66 (UL)
- Flame Class: 94V-2/94V-0
- Color: Black
- Unit: mm

用途：使 $\varnothing 5$ mm LED成90°焊於PC板上，高度一致，不斷腳，可組合使用。



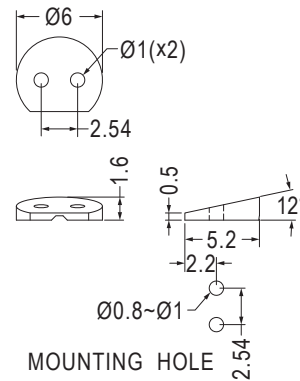
Part No.	Package
LED-6501	2000

LED座 LED MOUNT

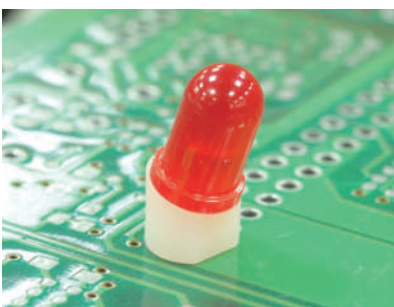


- Material: Nylon 66 (UL)
- Flame Class: 94V-2/94V-0
- Color: Natural/Black
- Unit: mm

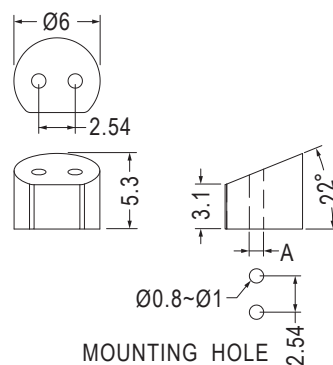
用途：使 $\varnothing 5$ mm LED成斜角焊於PC板上，高度一致，不斷腳。



Part No.	Package
LEDA-7	1000



- Material: Nylon 66 (UL)/ABS (UL)
- Flame Class: 94HB/94V-2/94V-0
- Color: Natural/Black
- Unit: mm



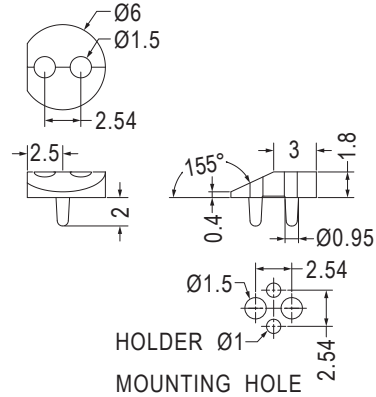
Part No.	A	Package
LEDA-2S	0.9	1000
LEDA-2	1.0	

LED座 LED MOUNT

用途：使 $\varnothing 5$ mm LED成斜角焊於PC板上，高度一致，有定位腳，不傾斜。

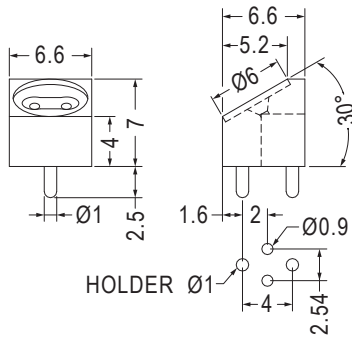


- Material: Nylon 66 (UL)/ABS (UL)
- Flame Class: 94HB/94V-2/94V-0
- Color: Natural/Black
- Unit: mm



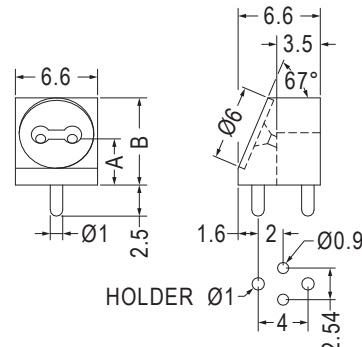
Part No.	Package
LEK-530	1000

- Material: Nylon 66 (UL)
- Flame Class: 94V-2/94V-0
- Color: Natural/Black
- Unit: mm



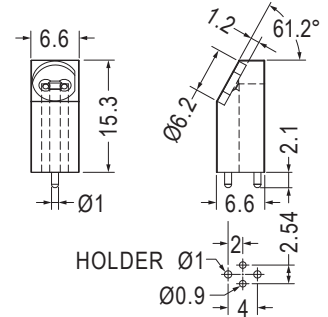
MOUNTING HOLE

Part No.	Package
LEK-513	2000



MOUNTING HOLE

Part No.	A	B	Package
LEK-509	3.3	7.0	1000
LEK-531	7.0	10.3	1000



MOUNTING HOLE

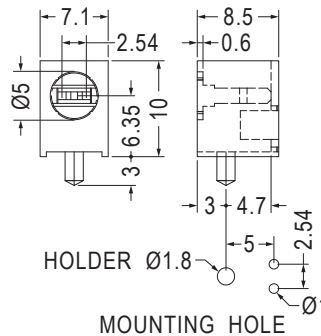
Part No.	Package
LEK-545	1000

90° LED座 90° LED MOUNT

用途：使 $\varnothing 5$ mm LED成90°焊於PC板上，高度一致，有定位腳，不傾斜。

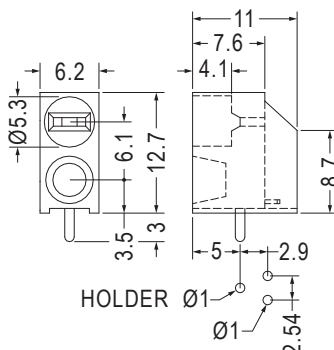


- Material: Nylon 66 (UL)
- Flame Class: 94V-2/94V-0
- Color: Black
- Unit: mm



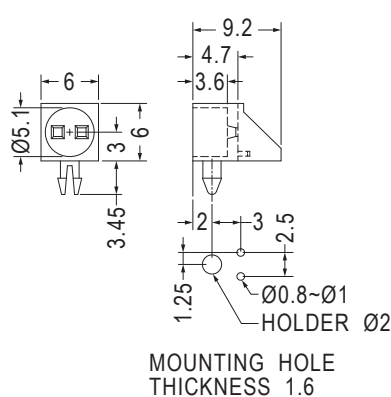
MOUNTING HOLE

Part No.	Package
LEK-541	1000



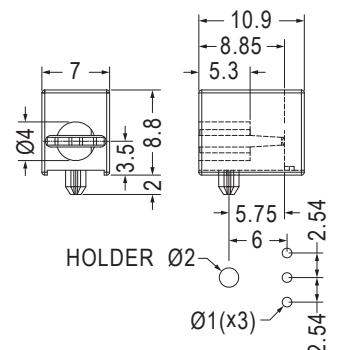
MOUNTING HOLE

Part No.	Package
LEK-525	1000



MOUNTING HOLE THICKNESS 1.6

Part No.	Package
LEK-548	1000



MOUNTING HOLE

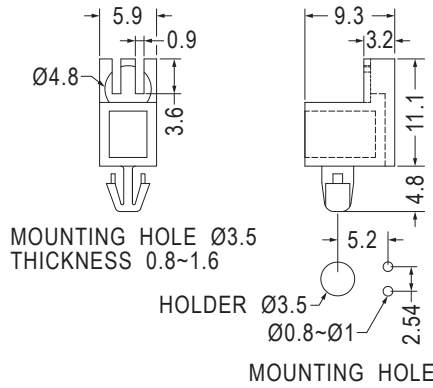
Part No.	Package
LEK-551	1000

90° LED座 90° LED MOUNT

用途：使 $\varnothing 5$ mm LED成90°焊於PC板上，高度一致，有定位腳，不傾斜。



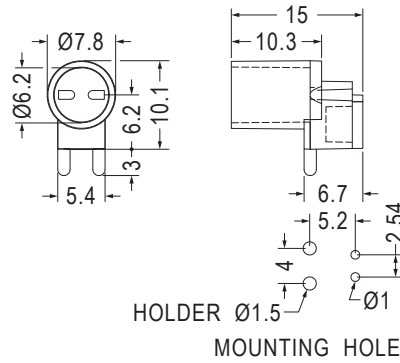
- Material: POM
- Color: Natural/Black
- Unit: mm



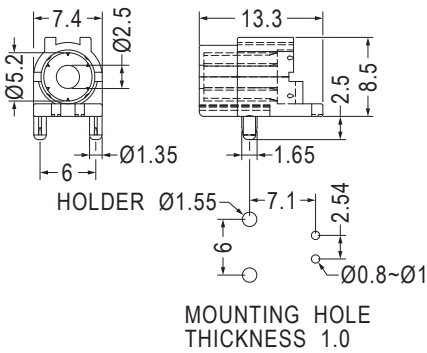
Part No.	Package
LEK-526	1000



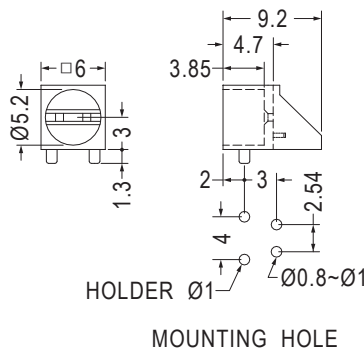
- Material: Nylon 66 (UL)
- Flame Class: 94V-2/94V-0
- Color: Black
- Unit: mm



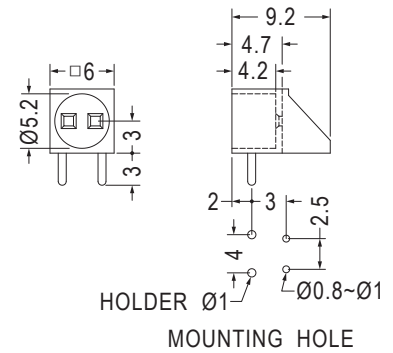
Part No.	Package
LEK-539	1000



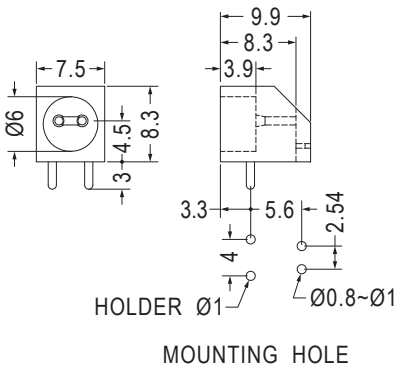
Part No.	Package
LEK-533	1000



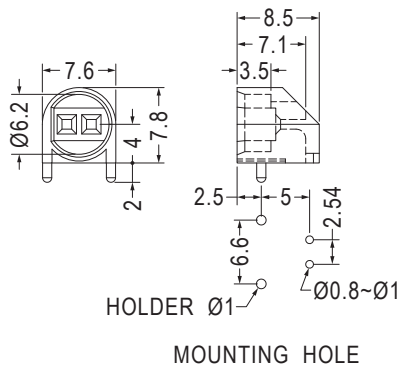
Part No.	Package
LEK-516	1000



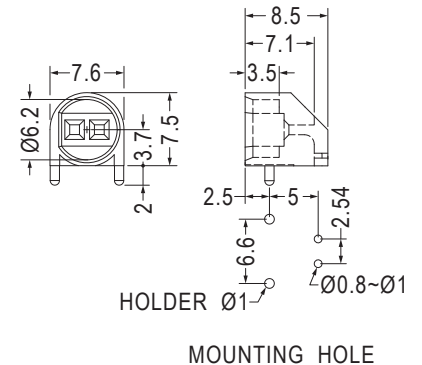
Part No.	Package
LEK-502	1000



Part No.	Package
LEK-535	1000

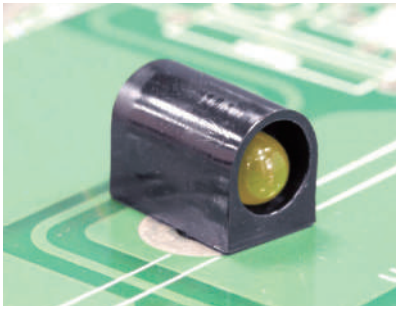


Part No.	Package
LEK-534	1000

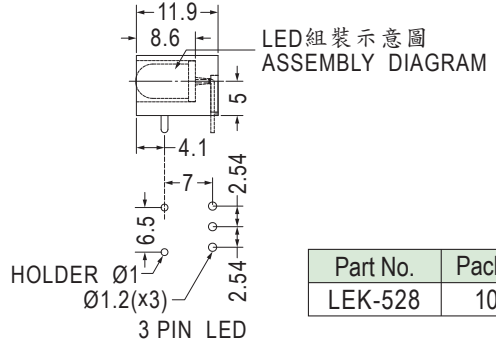
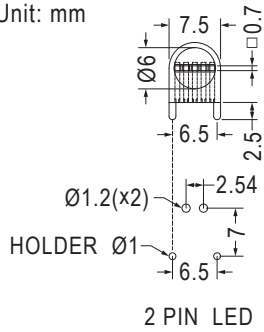


Part No.	Package
LEK-547	1000

90° LED座 90° LED MOUNT



- Material: Nylon 66 (UL)
- Flame Class: 94V-2/94V-0
- Color: Black
- Unit: mm



LED組裝示意圖
ASSEMBLY DIAGRAM

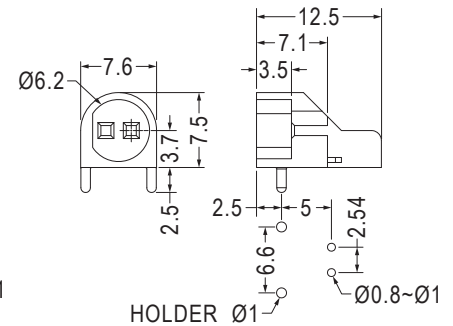
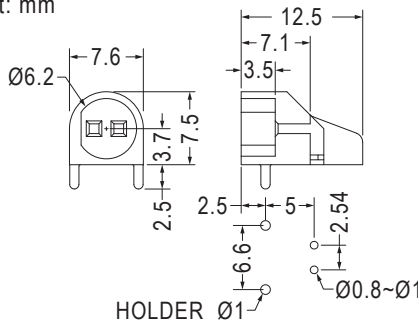
Part No.	Package
LEK-528	1000

MOUNTING HOLE

2



- Material: Nylon 66 (UL)
- Flame Class: 94V-2/94V-0
- Color: Black
- Unit: mm



用途：使Ø5 mm LED成90°焊於PC板上，高度一致，有定位腳，不傾斜。

MOUNTING HOLE

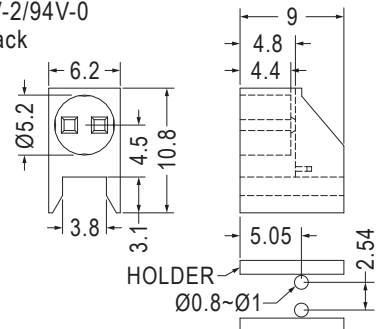
MOUNTING HOLE

Part No.	Package
LEK-560	1000

Part No.	Package
LEK-561	1000

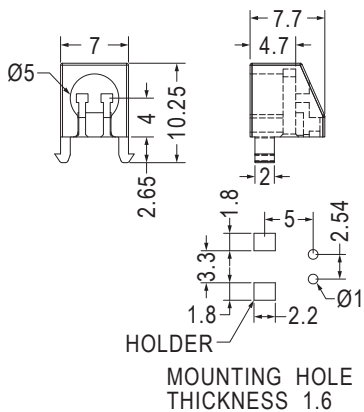


- Material: Nylon 66 (UL)
- Flame Class: 94V-2/94V-0
- Color: Natural/Black
- Unit: mm



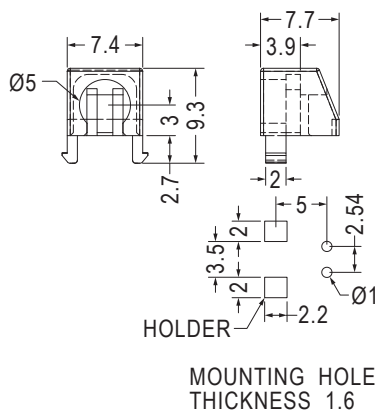
Part No.	Package
LEK-507	1000

MOUNTING HOLE



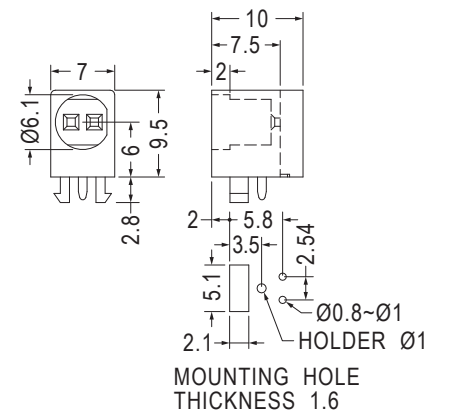
MOUNTING HOLE THICKNESS 1.6

Part No.	Package
LEJB-4	1000



MOUNTING HOLE THICKNESS 1.6

Part No.	Package
LEK-549	1000



MOUNTING HOLE THICKNESS 1.6

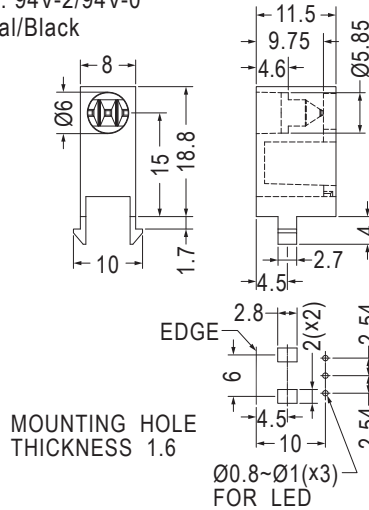
Part No.	Package
LEK-506	1000

90° LED座 90° LED MOUNT

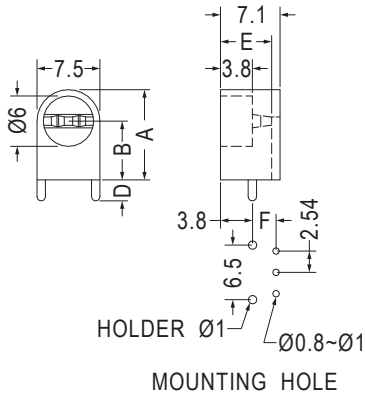
用途：使 $\varnothing 5$ mm 3 PIN LED成90°焊於PC板上，高度一致，有定位腳，不傾斜。



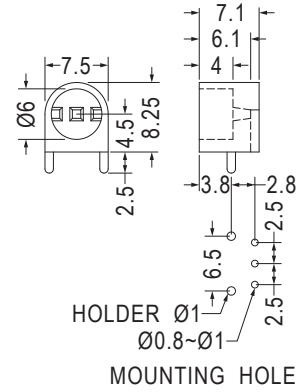
- Material: Nylon 66 (UL)
- Flame Class: 94V-2/94V-0
- Color: Natural/Black
- Unit: mm



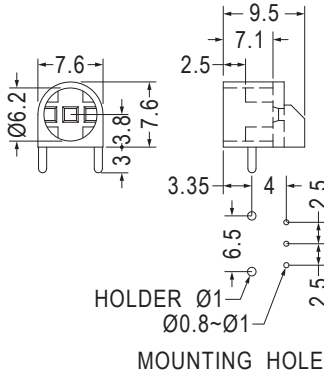
Part No.	Package
LEK-517	1000



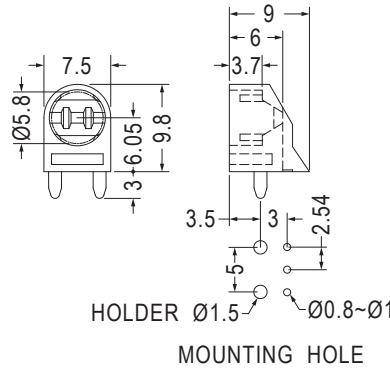
Part No.	A	B	D	E	F	Package
LEK503-7	10.75	7.0	2.5	6.1	2.8	1000
LEK503-18	21.75	18.0	3.1	5.9	2.6	



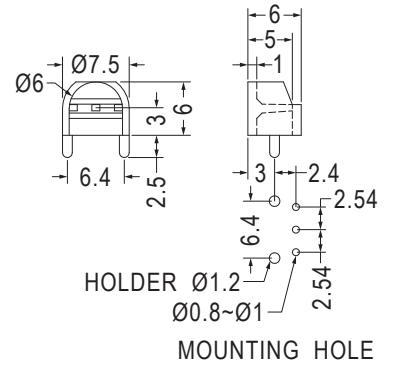
Part No.	Package
LEK-503	1000



Part No.	Package
LEK-501	1000



Part No.	Package
LEK-505	1000

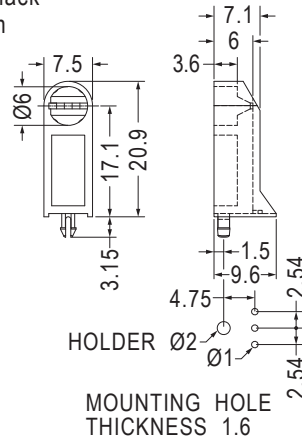


Part No.	Package
LEK-508	1000

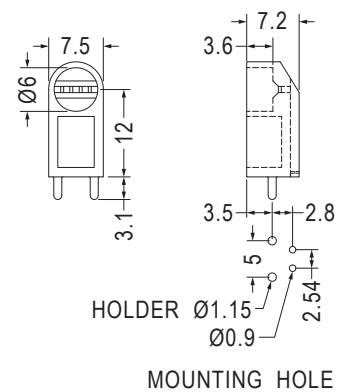


- Material: Nylon 66 (UL)
- Flame Class: 94V-2/94V-0
- Color: Black
- Unit: mm

用途：使 $\varnothing 5$ mm LED成90°焊於PC板上，高度一致，有定位腳，不傾斜。



Part No.	Package
LEK-546	1000

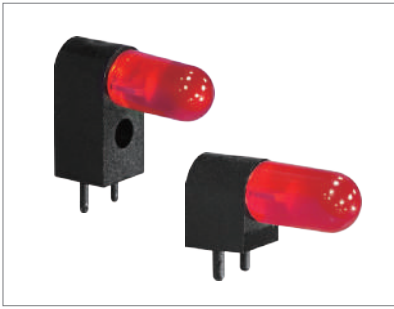


Part No.	Package
LEK-556	1000

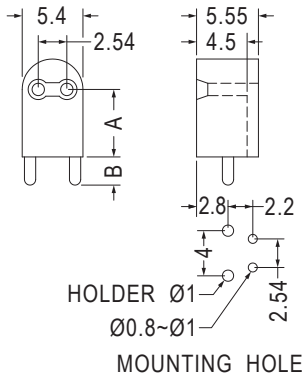
- Color: Natural/Black

90° LED座 90° LED MOUNT

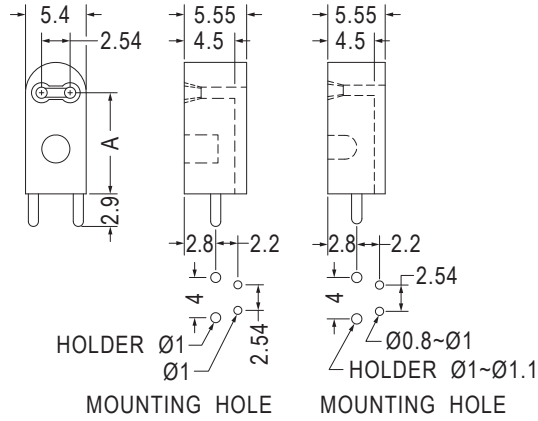
用途：使LED成90°焊於PC板上，高度一致，有定位腳，不傾斜。



- Material: Nylon 66 (UL)
- Flame Class: 94V-2/94V-0
- Color: Natural/Black
- Unit: mm

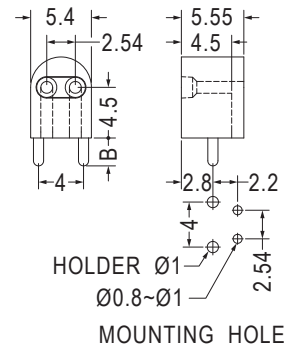


Part No.	A	B	Package
LEKH-3	3.0	2.9	1000
LEKH-6	6.0	2.5	
LEKH-7	7.0	2.5	



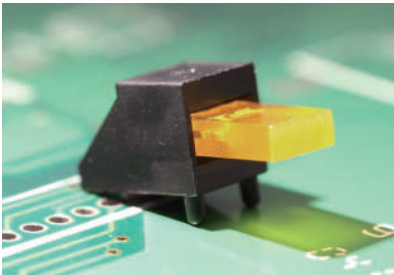
【 LEKH-9 】 【 LEKH-10 】

Part No.	A	Package
LEKH-9	9.0	1000
LEKH-10	10.0	



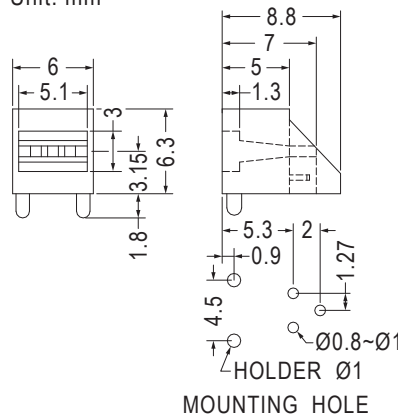
- Material: Nylon 66 (UL)/N6T (UL)

Part No.	B	Package
LEKH-4.5	2.5	1000
LEKH-4.5S	1.2	

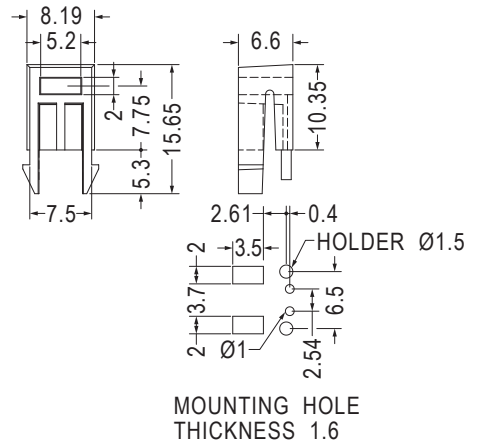


- Material: Nylon 66 (UL)
- Flame Class: 94V-2/94V-0
- Color: Black
- Unit: mm

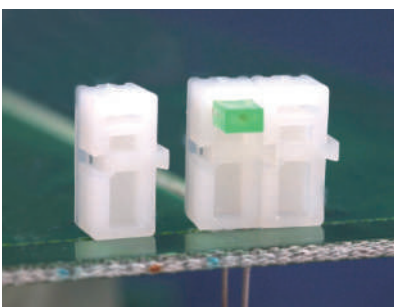
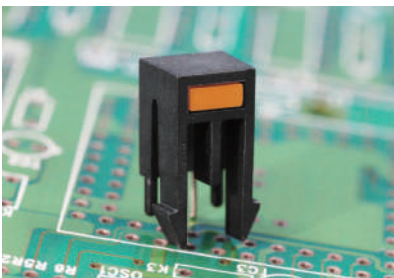
用途：使方形LED成90°焊於PC板上，高度一致，有定位腳，不傾斜。



Part No.	Package
LEK-518	1000

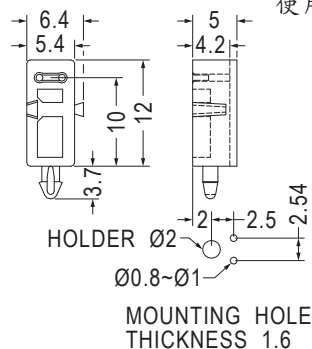


Part No.	Package
LEK-520	1000



- Material: Nylon 66 (UL)
- Flame Class: 94V-2/94V-0
- Color: Natural/Black
- Unit: mm

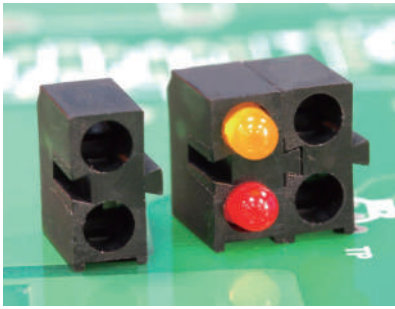
用途：使LED成90°焊於PC板上，高度一致，有定位腳，不傾斜，可組合使用。



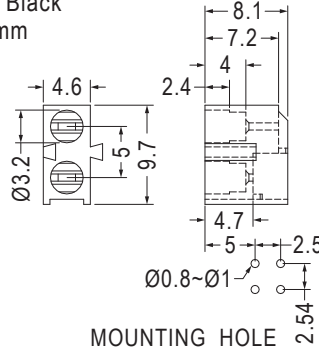
Part No.	Package
LEKH-6301	1000

90° LED座 90° LED MOUNT

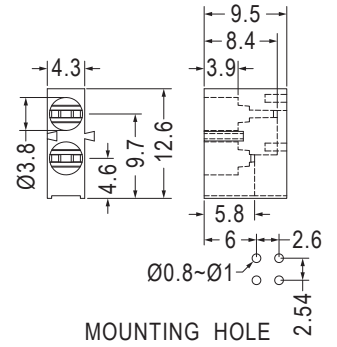
用途：使Ø3 mm LED成90°焊於PC板上，高度一致，不斷腳，可組合使用。



- Material: Nylon 66 (UL)
- Flame Class: 94V-2/94V-0
- Color: Black
- Unit: mm

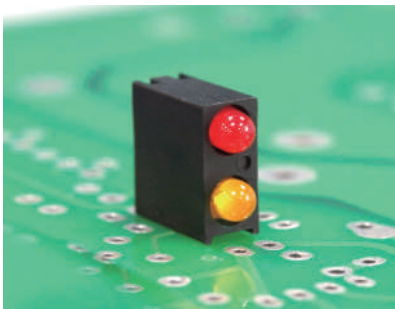


Part No.	Package
LED-6302	2000



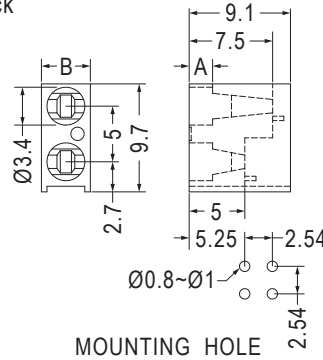
Part No.	Package
LED-6303	2000

2

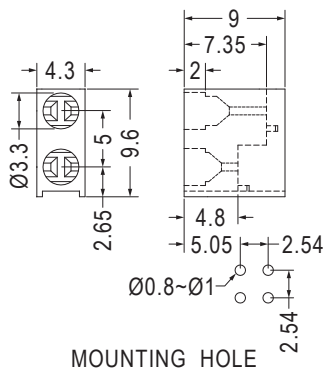


- Material: Nylon 66 (UL)
- Flame Class: 94V-2/94V-0
- Color: Black
- Unit: mm

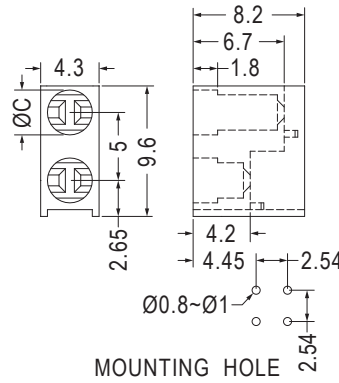
用途：使Ø3 mm LED成90°焊於PC板上，高度一致，不斷腳。



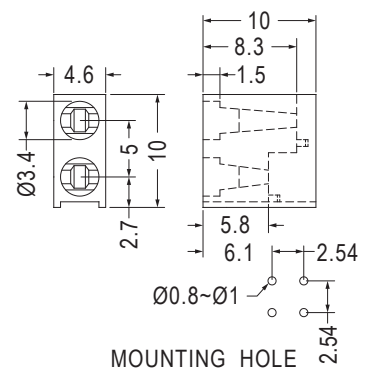
Part No.	A	B	Package
LED-306	2.1	4.4	1000
LED-306(A)	1.5	4.3	



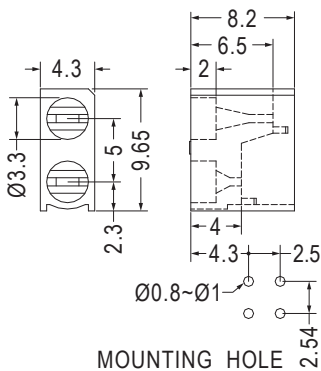
Part No.	Package
LED-306(B)	1000



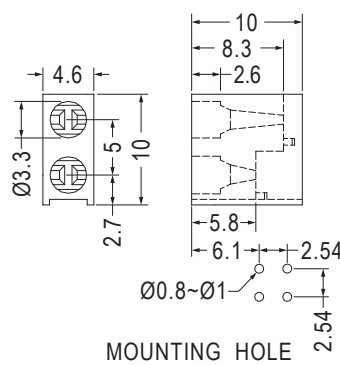
Part No.	C	Package
LED-307	3.3	1000
LED-307(A)	3.2	



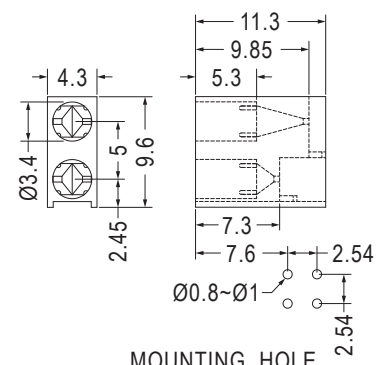
Part No.	Package
LED-308	1000



Part No.	Package
LED-322	1000

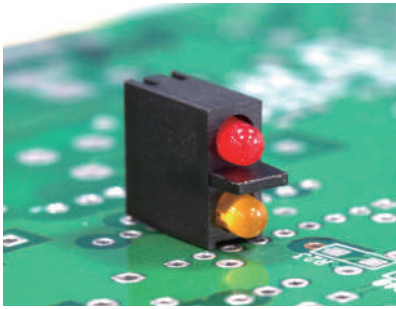


Part No.	Package
LED-324	1000

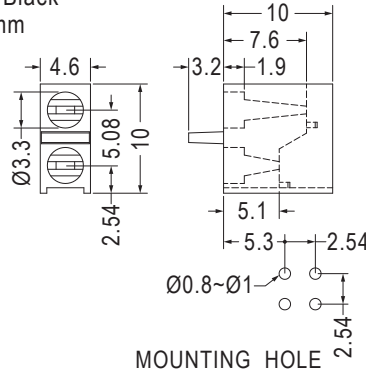


Part No.	Package
LED-323	1000

90° LED座 90° LED MOUNT

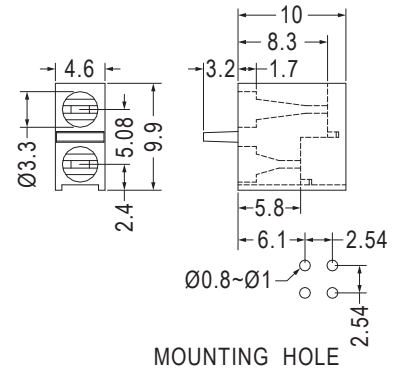


- Material: Nylon 66 (UL)
- Flame Class: 94V-2/94V-0
- Color: Black
- Unit: mm

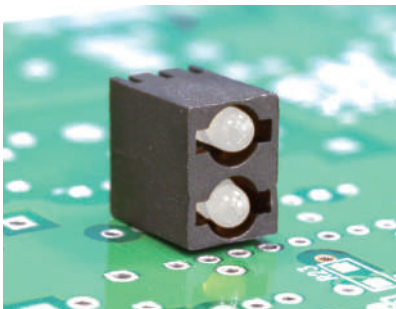


Part No.	Package
LED-305	1000

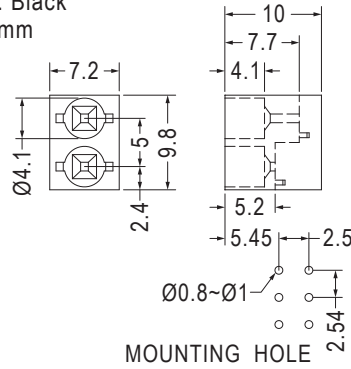
用途：使Ø3 mm LED成90°焊於PC板上，高度一致，不斷腳。



Part No.	Package
LED-317	1000

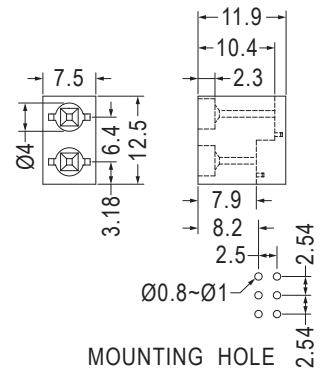


- Material: Nylon 66 (UL)
- Flame Class: 94V-2/94V-0
- Color: Black
- Unit: mm



Part No.	Package
LED-310	1000

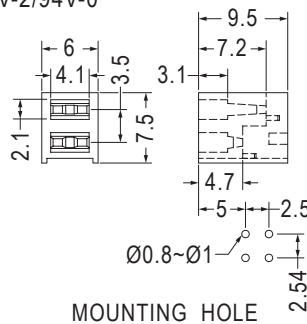
用途：使Ø3 mm 3 PIN LED成90°焊於PC板上，高度一致，不斷腳。



Part No.	Package
LED-342	1000

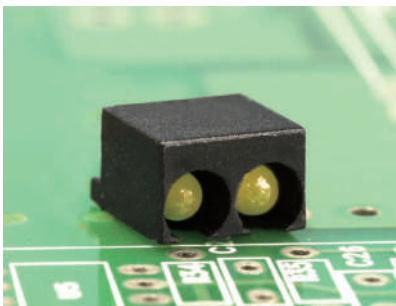


- Material: Nylon 66 (UL)
- Flame Class: 94V-2/94V-0
- Color: Black
- Unit: mm

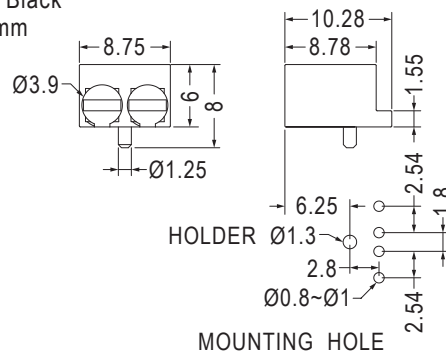


Part No.	Package
LED-521	1000

用途：使方形LED成90°焊於PC板上，高度一致，不斷腳。



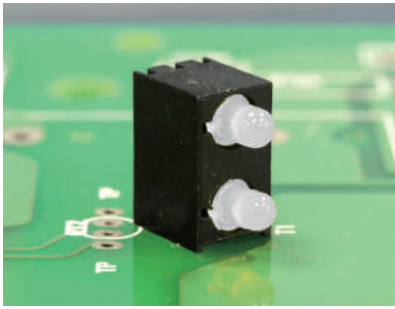
- Material: Nylon 66 (UL)
- Flame Class: 94V-2/94V-0
- Color: Black
- Unit: mm



Part No.	Package
LEK-316	2000

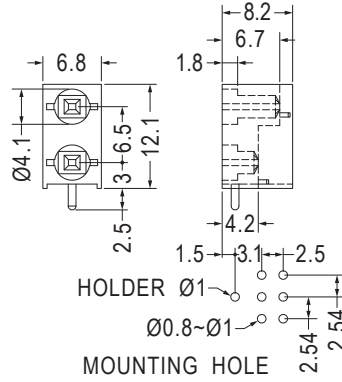
用途：使Ø3 mm 3 PIN LED成90°焊於PC板上，高度一致，有定位腳，不傾斜。

90° LED座 90° LED MOUNT



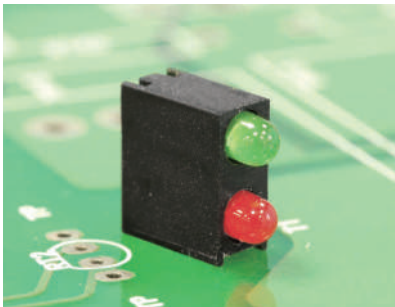
- Material: Nylon 66 (UL)
- Flame Class: 94V-2/94V-0
- Color: Black
- Unit: mm

用途：使 $\varnothing 3$ mm 3 PIN LED成90°焊於PC板上，高度一致，有定位腳，不傾斜。



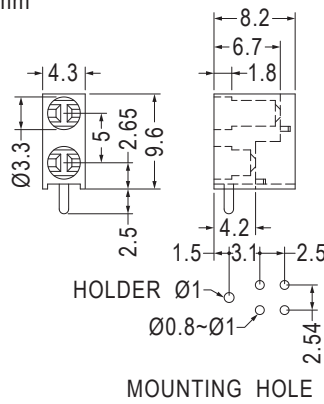
Part No.	Package
LEK-327	1000

2

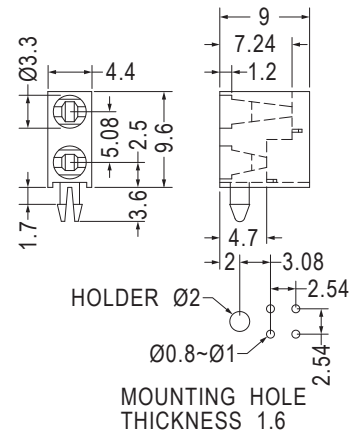


- Material: Nylon 66 (UL)
- Flame Class: 94V-2/94V-0
- Color: Black
- Unit: mm

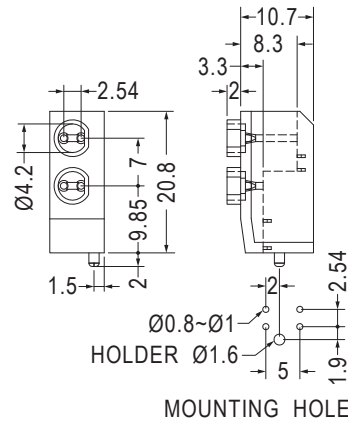
用途：使 $\varnothing 3$ mm LED成90°焊於PC板上，高度一致，有定位腳，不斷腳。



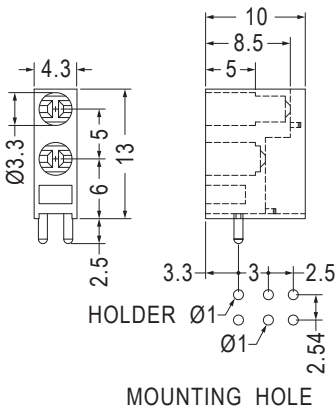
Part No.	Package
LEK-307	1000



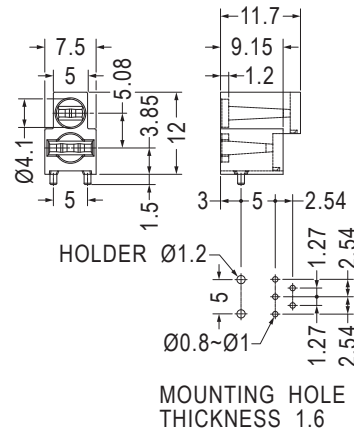
Part No.	Package
LEK-320	1000



Part No.	Package
LEK-323	1000



Part No.	Package
LEK-325	1000



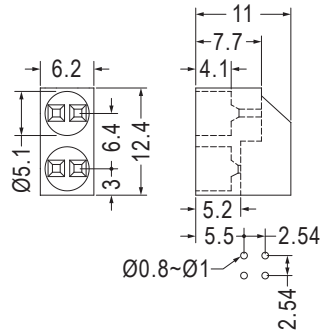
Part No.	Package
LEK-345	2000

90° LED座 90° LED MOUNT



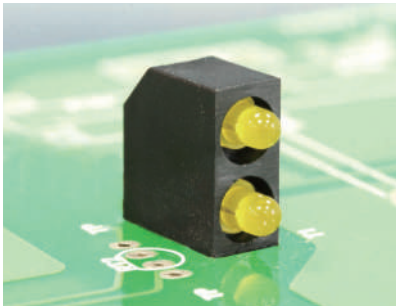
- Material: Nylon 66 (UL)
- Flame Class: 94V-2/94V-0
- Color: Black
- Unit: mm

用途：使 $\varnothing 5$ mm LED成90°焊於PC板上，高度一致，不斷腳。



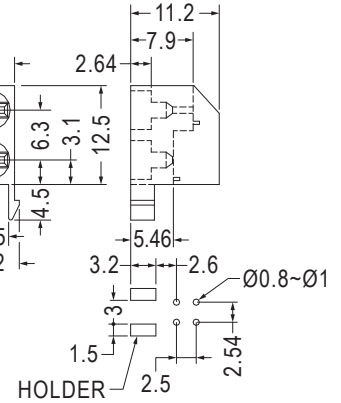
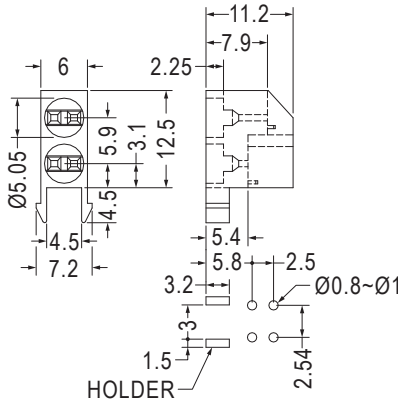
Part No.	Package
LED-525	1000

MOUNTING HOLE



- Material: Nylon 66 (UL)
- Flame Class: 94V-2/94V-0
- Color: Black
- Unit: mm

用途：使 $\varnothing 5$ mm LED成90°焊於PC板上，高度一致，有定位腳，不傾斜。

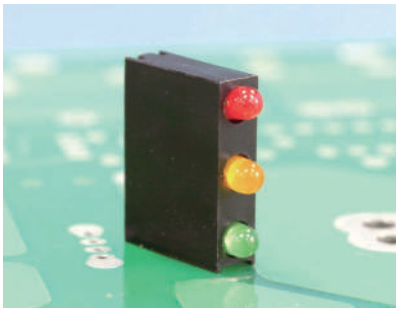


MOUNTING HOLE THICKNESS 1.6

MOUNTING HOLE THICKNESS 1.6

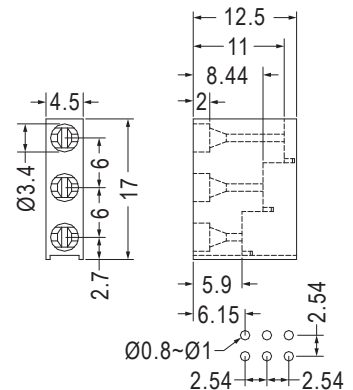
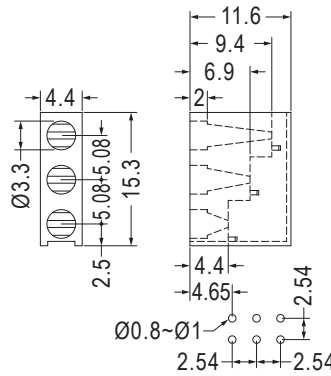
Part No.	Package
LEK-512	1000

Part No.	Package
LEK-515	1000



- Material: Nylon 66 (UL)
- Flame Class: 94V-2/94V-0
- Color: Black
- Unit: mm

用途：使 $\varnothing 3$ mm LED成90°焊於PC板上，高度一致，不斷腳。



MOUNTING HOLE

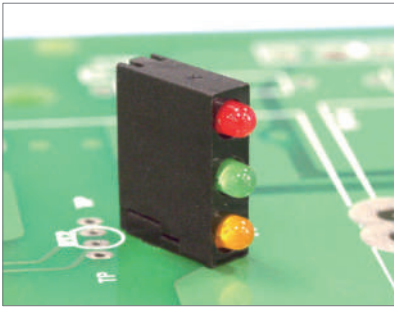
MOUNTING HOLE

Part No.	Package
LED-330	1000

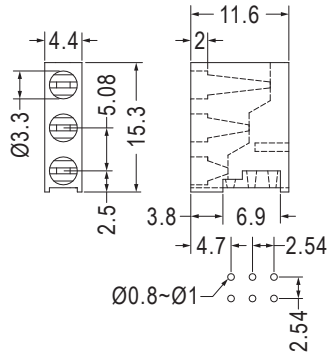
Part No.	Package
LED-331	1000

90° LED座 90° LED MOUNT

用途：使 $\varnothing 3$ mm LED成90°焊於PC板上，高度一致，組合式字母套，焊腳不搖動。

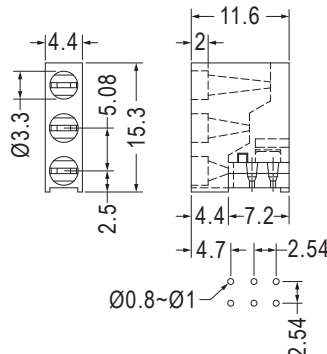


- Material: Nylon 66 (UL)
- Flame Class: 94V-2/94V-0
- Color: Black
- Unit: mm



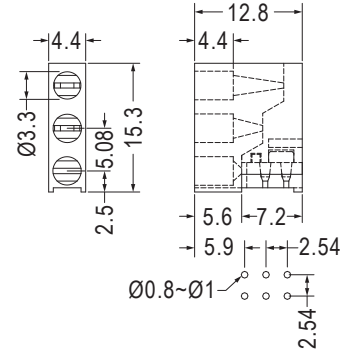
MOUNTING HOLE

Part No.	Package
LH-330	1000



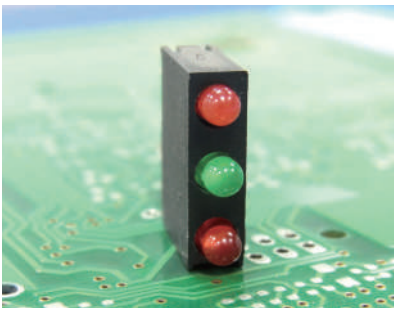
MOUNTING HOLE

Part No.	Package
KLH-330	1000



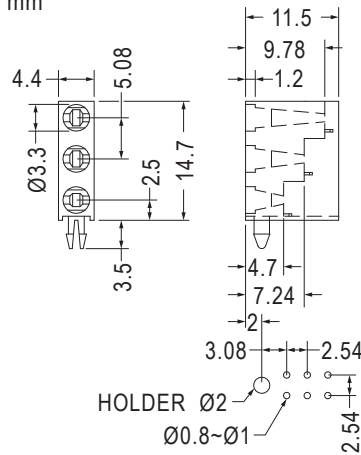
MOUNTING HOLE

Part No.	Package
KLH-331	1000



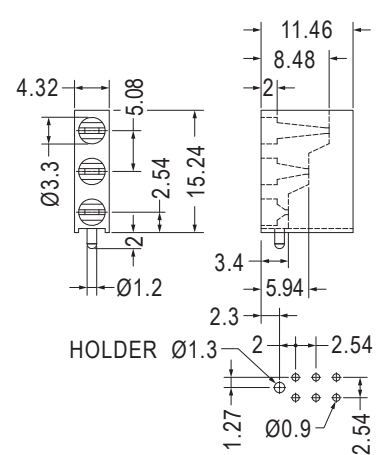
- Material: Nylon 66 (UL)
- Flame Class: 94V-2/94V-0
- Color: Black
- Unit: mm

用途：使 $\varnothing 3$ mm LED成90°焊於PC板上，高度一致，有定位腳，不傾斜。



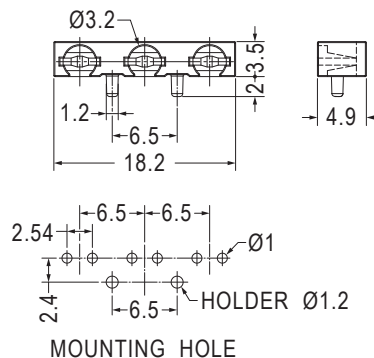
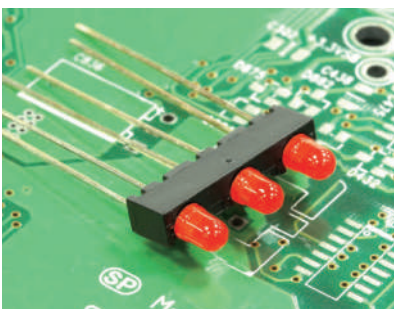
MOUNTING HOLE THICKNESS 1.6

Part No.	Package
LEK-330	1000



MOUNTING HOLE

Part No.	Package
LEK-331	1000

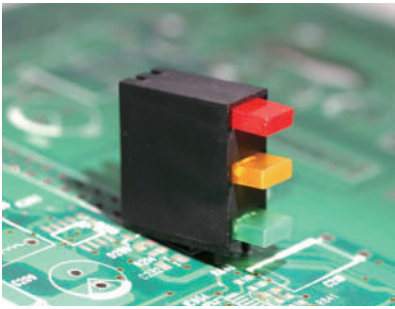


MOUNTING HOLE

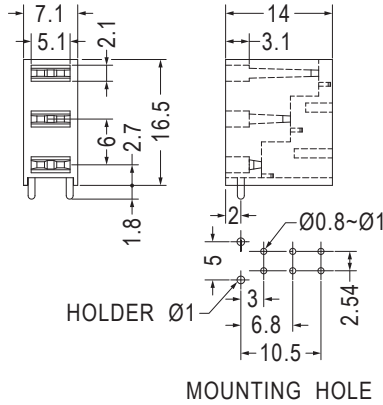
Part No.	Package
LEK-348	1000

90° LED座 90° LED MOUNT

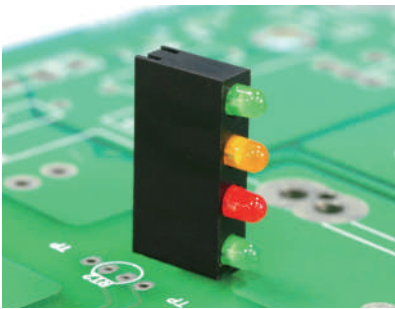
用途：使方形LED成90°焊於PC板上，高度一致，有定位腳，不傾斜。



- Material: Nylon 66 (UL)
- Flame Class: 94V-2/94V-0
- Color: Black
- Unit: mm

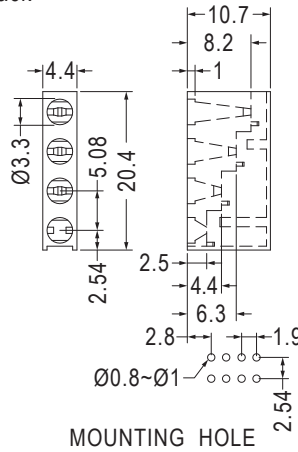


Part No.	Package
LEK-315	1000

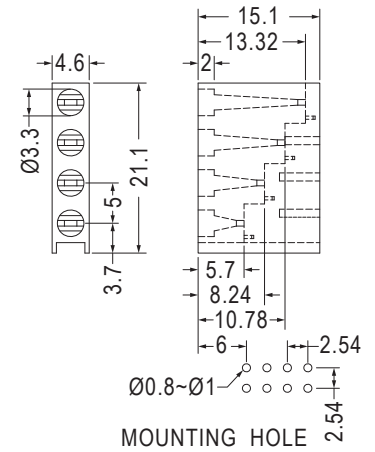


- Material: Nylon 66 (UL)
- Flame Class: 94V-2/94V-0
- Color: Black
- Unit: mm

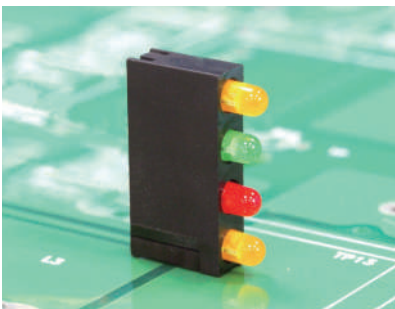
用途：使Ø3 mm LED成90°焊於PC板上，高度一致，不斷腳。



Part No.	Package
LED-340	1000

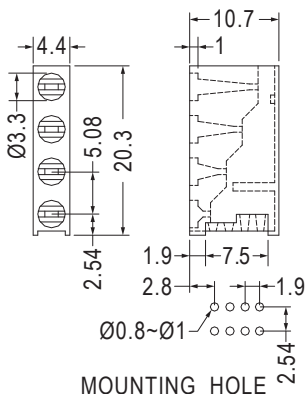


Part No.	Package
LED-345	1000

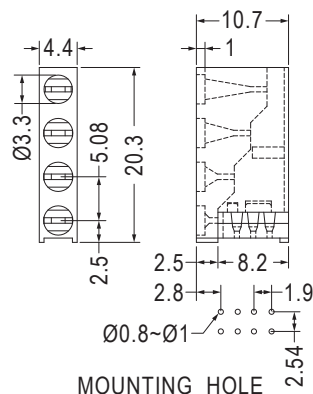


- Material: Nylon 66 (UL)
- Flame Class: 94V-2/94V-0
- Color: Black
- Unit: mm

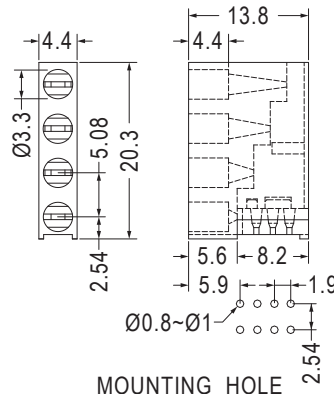
用途：使Ø3 mm LED成90°焊於PC板上，高度一致，組合式子母套，焊腳不搖動。



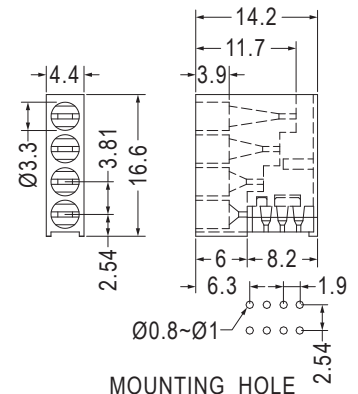
Part No.	Package
LH-340	1000



Part No.	Package
KLH-340	1000

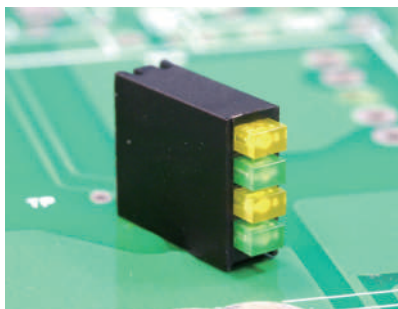


Part No.	Package
KLH-341	1000



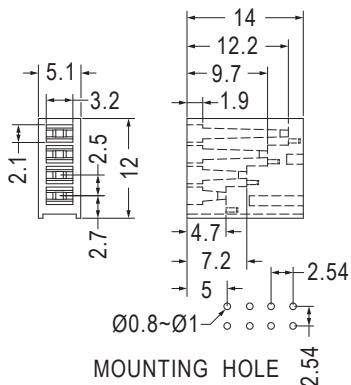
Part No.	Package
KLH-342	1000

90° LED座 90° LED MOUNT



- Material: Nylon 66 (UL)
- Flame Class: 94V-2/94V-0
- Color: Black
- Unit: mm

用途：使方形LED成90°焊於PC板上，高度一致，不斷腳。



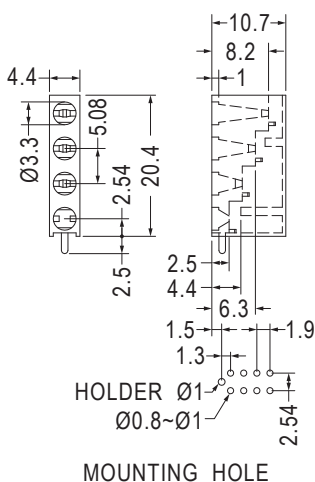
Part No.	Package
LED-341	1000

2



- Material: Nylon 66 (UL)
- Flame Class: 94V-2/94V-0
- Color: Black
- Unit: mm

用途：使Ø3 mm LED成90°焊於PC板上，高度一致，有定位腳，不傾斜。



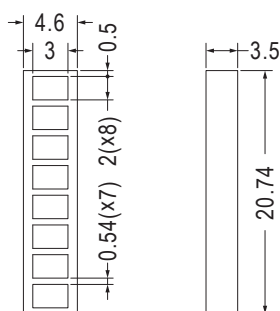
Part No.	Package
LEK-340	1000

LED座 LED MOUNT



- Material: Silicon Rubber
- Color: Black
- Unit: mm

用途：用於LED座。

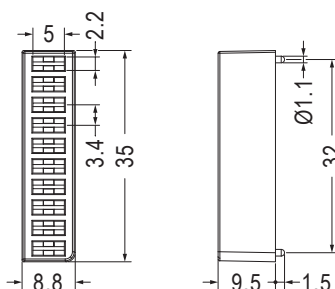


Part No.	Package
TF-1298	1000



- Material: Nylon 66 (UL)
- Flame Class: 94V-2/94V-0
- Color: Black
- Unit: mm

用途：使方形5X2 LED 10顆預先組合，可快速固定於PC板上。

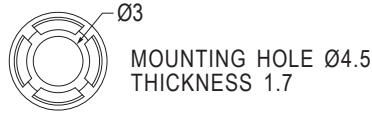
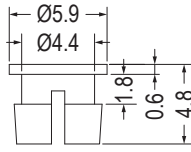


Part No.	Package
LED101	500

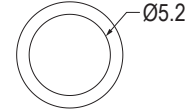
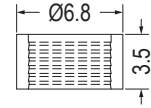
LED座 LED MOUNT



- Material: Nylon 66 (UL)
- Flame Class: 94V-2/94V-0
- Color: Black
- Unit: mm



Part No.	Package
LED3-2	2000

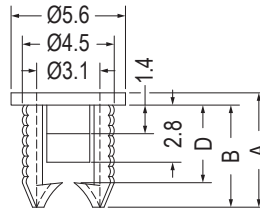


Part No.	Package
LED3-1B	2000

用途：可快速將Ø3 mm LED固定於機器面板上，LED3-1B可加強LED3-2之固定或作為墊片使用。



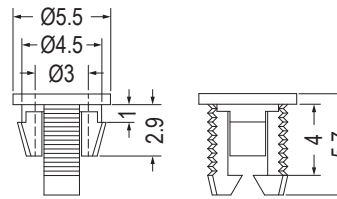
- Material: Nylon 66 (UL)
- Flame Class: 94V-2/94V-0
- Color: Black
- Unit: mm



MOUNTING HOLE Ø4.5 THICKNESS 0.8~1.2

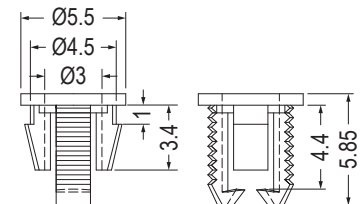
用途：可快速將Ø3 mm LED固定於機器面板上。

Part No.	A	B	D	Package
LED3-1	5.6	5.0	3.8	2000
LED3-8	4.6	4.0	2.8	



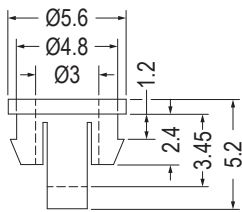
MOUNTING HOLE Ø4.5 THICKNESS 0.8

Part No.	Package
LED3-4	2000



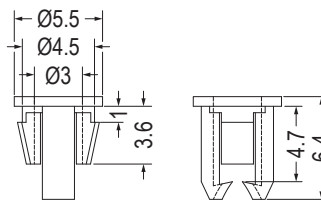
MOUNTING HOLE Ø4.5 THICKNESS 1.0

Part No.	Package
LED3-20	2000



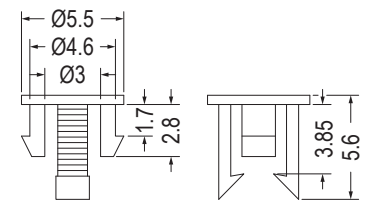
MOUNTING HOLE Ø5.0 THICKNESS 1.0~1.1

Part No.	Package
LED3-5	2000



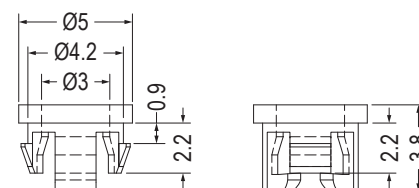
MOUNTING HOLE Ø4.5 THICKNESS 0.8

Part No.	Package
LED3-6	2000



MOUNTING HOLE Ø4.5 THICKNESS 1.6

Part No.	Package
LED3-7	2000



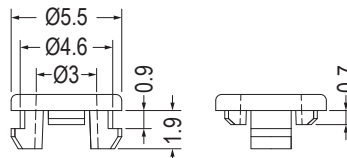
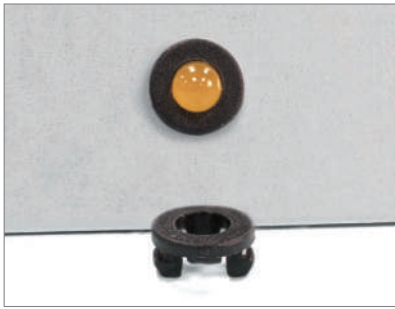
MOUNTING HOLE Ø4.3 THICKNESS 0.8

Part No.	Package
LED3-29	2000

LED座 LED MOUNT

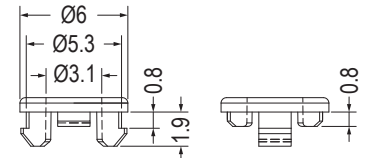
用途：可快速將 $\varnothing 3$ mm LED固定於機器面板上。

- Material: Nylon 66 (UL)
- Flame Class: 94V-2/94V-0
- Color: Black
- Unit: mm



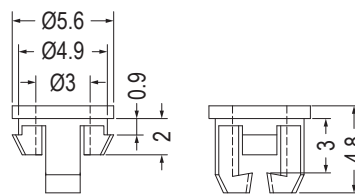
MOUNTING HOLE $\varnothing 4.8$
THICKNESS 0.8

Part No.	Package
LED3-23	2000



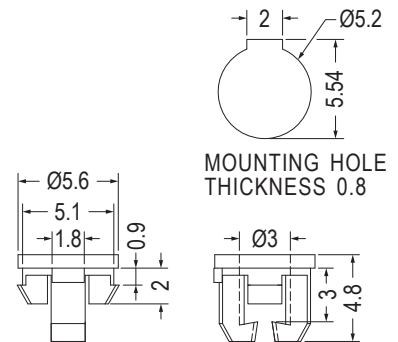
MOUNTING HOLE $\varnothing 5.3$
THICKNESS 0.8

Part No.	Package
LED3-34	2000



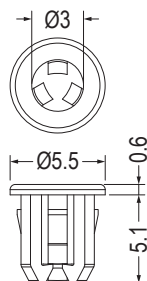
MOUNTING HOLE $\varnothing 5.0$
THICKNESS 0.8

Part No.	Package
LED3-22	1000



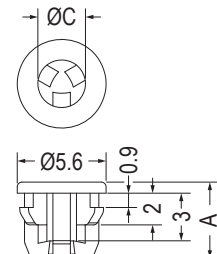
MOUNTING HOLE $\varnothing 5.6$
THICKNESS 0.8

Part No.	Package
LED3-28	2000



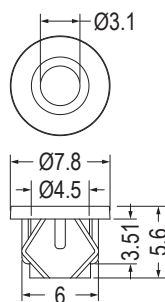
MOUNTING HOLE $\varnothing 4.3$
THICKNESS 0.7

Part No.	Package
LED3-61	1000



MOUNTING HOLE $\varnothing 5.0$
THICKNESS 0.8

Part No.	A	C	Package
LED3-37	4.8	3.0	2000
LED3-38	4.8	2.8	
LED3-44	5.3	3.0	

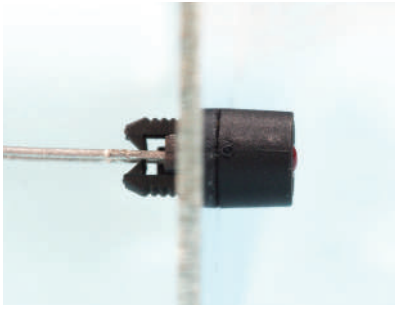


MOUNTING HOLE $\varnothing 6.35$
THICKNESS 2.0

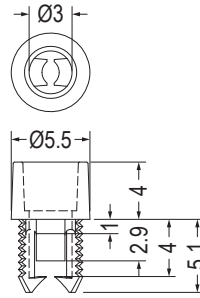
Part No.	Package
LED3-19	1000

LED座 LED MOUNT

用途：可快速將 $\varnothing 3$ mm LED燈固定於機器面板上，有遮光，不干涉。

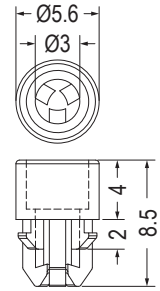


- Material: Nylon 66 (UL)
- Flame Class: 94V-2/94V-0
- Color: Black
- Unit: mm



MOUNTING HOLE $\varnothing 4.5$
THICKNESS 0.8

Part No.	Package
LED3-45	1000



MOUNTING HOLE $\varnothing 5.0$
THICKNESS 0.8

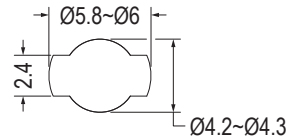
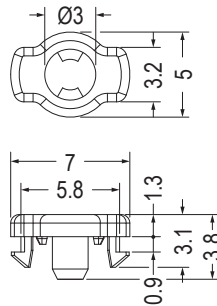
• Patented (專利品)

Part No.	Package
LED3-46	1000



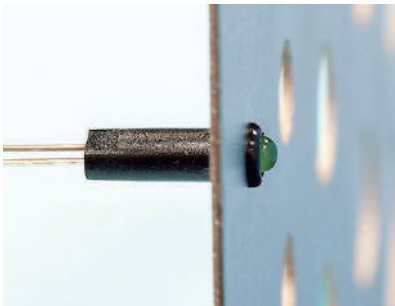
- Material: PC (UL)
- Flame Class: 94V-2
- Color: Black
- Unit: mm

用途：可快速將 $\varnothing 3$ mm LED固定於機器面板上。

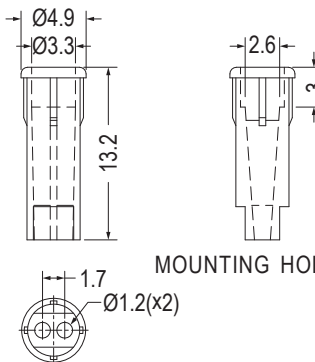


MOUNTING HOLE
THICKNESS 0.8

Part No.	Package
LED3-53	1000



- Material: Nylon 66 (UL)
- Flame Class: 94V-2/94V-0
- Color: Black
- Unit: mm

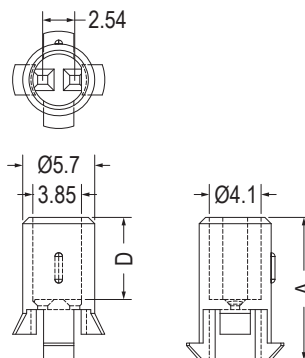


MOUNTING HOLE $\varnothing 4.5$

Part No.	Package
LED3-3	2000



- Material: Nylon 66 (UL)
- Flame Class: 94V-2/94V-0
- Color: Natural/Black
- Unit: mm

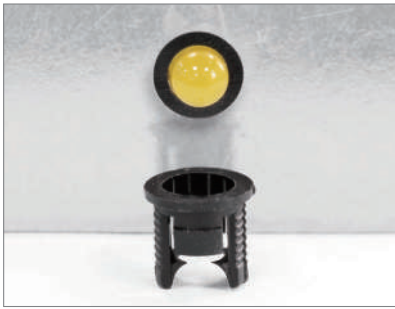


MOUNTING HOLE $\varnothing 5.9$
THICKNESS 0.6-0.8

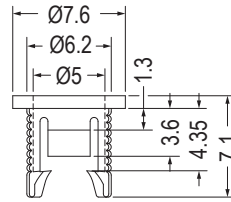
Part No.	A	D	Package
LEQU3-1	12.8	8.0	2000
LEQU3-2	11.3	6.5	

LED座 LED MOUNT

用途：可快速將 $\varnothing 5$ mm LED固定於機器面板上。

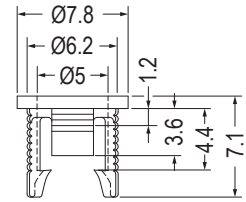


- Material: Nylon 66 (UL)
- Flame Class: 94V-2/94V-0
- Color: Black
- Unit: mm



MOUNTING HOLE $\varnothing 6.4$
THICKNESS 1.2

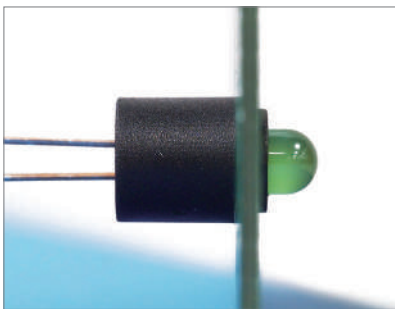
Part No.	Package
LED5-1	2000



MOUNTING HOLE $\varnothing 6.4$
THICKNESS 1.2

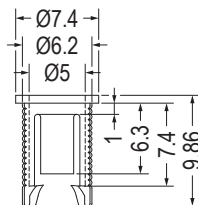
Part No.	Package
LED5-1S	2000

2



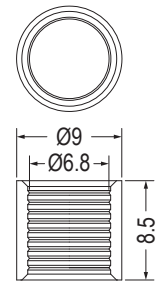
- Material: Nylon 66 (UL)
- Flame Class: 94V-2/94V-0
- Color: Black
- Unit: mm

用途：可快速將 $\varnothing 5$ mm LED固定於機器面板上。LED5-8T可加強LED5-8之固定或作為墊片使用。



MOUNTING HOLE $\varnothing 6.35$
THICKNESS 0.9

Part No.	Package
LED5-8	2000

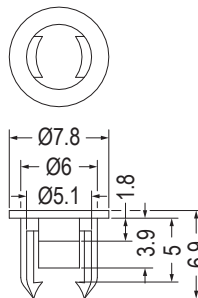


Part No.	Package
LED5-8T	2000



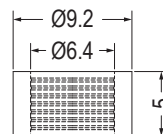
- Material: Nylon 66 (UL)
- Flame Class: 94V-2/94V-0
- Color: Black
- Unit: mm

用途：可快速將 $\varnothing 5$ mm LED固定於機器面板上，LED5-5T可加強LED5-5之固定或作為墊片使用。



MOUNTING HOLE $\varnothing 6.0$
THICKNESS 1.8

Part No.	Package
LED5-5	2000

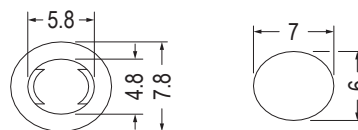


Part No.	Package
LED5-5T	2000

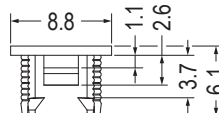


- Material: Nylon 66 (UL)
- Flame Class: 94V-2/94V-0
- Color: Black
- Unit: mm

用途：可快速將橢圓LED固定於機器面板上。



MOUNTING HOLE
THICKNESS 1.0



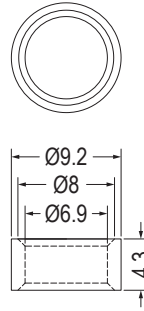
Part No.	Package
LED5-6	2000

LED座 LED MOUNT

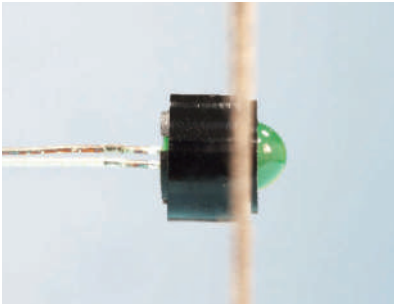
用途：可快速將 $\varnothing 5$ mm LED固定於機器面板上，或作為墊片使用。



- Material: Nylon 66 (UL)
- Flame Class: 94V-2/94V-0
- Color: Black
- Unit: mm

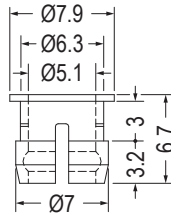


Part No.	Package
LED5-27T	2000

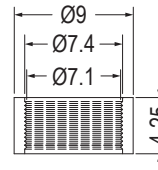


- Material: Nylon 66 (UL)
- Flame Class: 94V-2/94V-0
- Color: Black
- Unit: mm

用途：可快速將 $\varnothing 5$ mm LED固定於機器面板上。LED5-2B可加強LED5-2之固定或作為墊片使用。



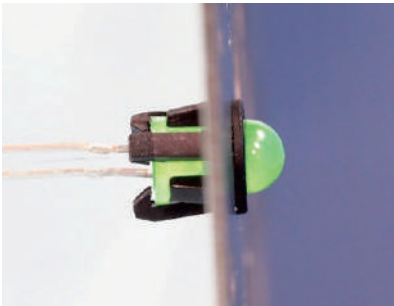
【 LED5-2A 】



【 LED5-2B 】

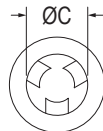
MOUNTING HOLE $\varnothing 6.4$
THICKNESS 3.0

Part No.	Package
LED5-2	1000

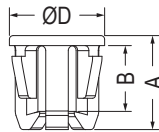


- Material: Nylon 66 (UL)
- Flame Class: 94V-2/94V-0
- Color: Black
- Unit: mm
- Patented (專利品)

用途：可快速將LED固定於機器面板上。



MOUNTING HOLE $\varnothing 7.0$
THICKNESS: T

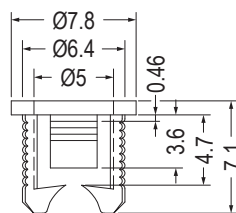


Part No.	A	B	C	D	T	Package
LED5-28	7.5	5.5	4.9	7.6	0.6~0.8	1000
LED5-28L	7.5	5.5	4.9	7.6	1.0	
LED5-29	6.9	4.65	5.0	8.0	0.8	



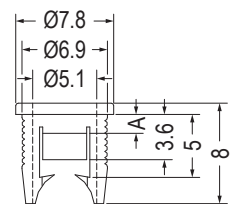
- Material: Nylon 66 (UL)
- Flame Class: 94V-2/94V-0
- Color: Black
- Unit: mm

用途：可快速將 $\varnothing 5$ mm LED固定於機器面板上。



MOUNTING HOLE $\varnothing 6.5$
THICKNESS 0.6~1.2

Part No.	Package
LED5-16S	2000

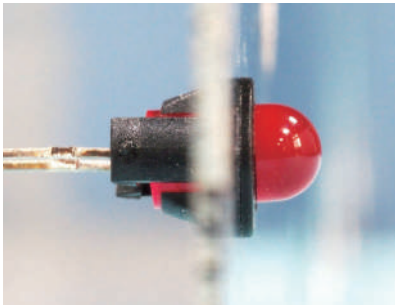


MOUNTING HOLE $\varnothing 7.0$
THICKNESS: T

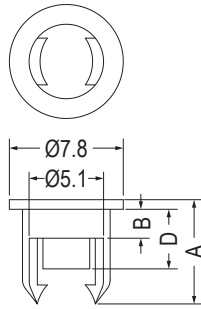
Part No.	A	T	Package
LED5-9	1.5	0.8~1.4	1000
LED5-9S	1.0	0.8	2000

LED座 LED MOUNT

用途：可快速將 $\varnothing 5$ mm LED固定於機器面板上。

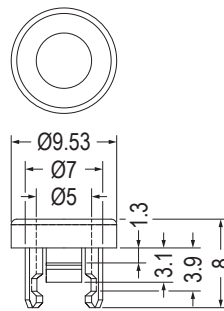


- Material: Nylon 66 (UL)
- Flame Class: 94V-2/94V-0
- Color: Black
- Unit: mm



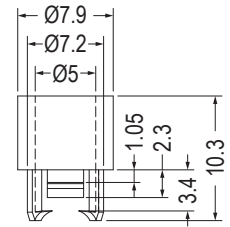
Part No.	A	B	D	G	T	Package
LED5-11	6.3	1.1	3.3	6.0	0.8~1.0	2000
LED5-13	6.9	1.8	3.9	6.2	1.2~1.6	

MOUNTING HOLE: $\varnothing G$
THICKNESS: T



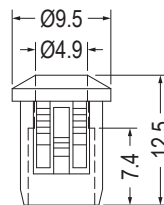
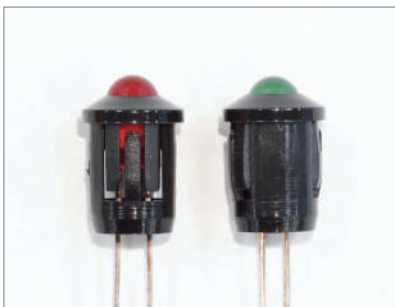
MOUNTING HOLE $\varnothing 7.2$
THICKNESS 1.2

Part No.	Package
LED5-25	500



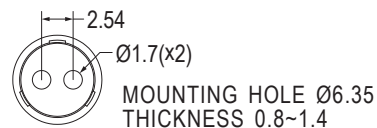
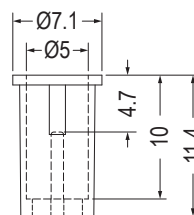
MOUNTING HOLE $\varnothing 6.5$
THICKNESS 0.8~1.0

Part No.	Package
LED5-14	2000

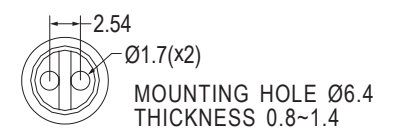
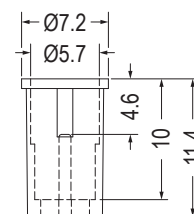


MOUNTING HOLE $\varnothing 8.0$
THICKNESS 1.2~3.0

Part No.	Package
LED5-3	1000



Part No.	Package
LED5-4	1000



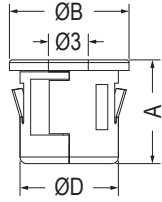
Part No.	Package
LED5-10	1000

LED座 LED MOUNT

用途：可快速將LED固定於機器面板上。



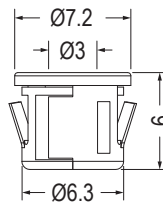
- Material: Nylon 66 (UL)
- Flame Class: 94V-2/94V-0
- Color: Black
- Unit: mm



MOUNTING HOLE: ØG
THICKNESS: T

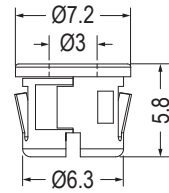
• 適用Ø3 LED帽緣款

Part No.	A	B	D	G	T	Suitable LED	Package
LED3-14	7.8	9.0	7.4	7.5	0.6~1.0	3 PIN	1000
LED3-14M	7.8	9.0	7.4	7.5	1.0~1.2	3 PIN	
LED3-15	6.5	7.2	6.3	6.4	0.6~1.0	2 PIN	
LED3-15M	6.5	7.2	6.3	6.4	1.0~1.2	2 PIN	



MOUNTING HOLE Ø6.35~Ø6.4
THICKNESS 0.8

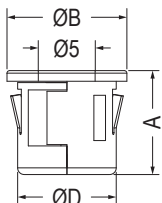
Part No.	Package
LED3-33	1000



MOUNTING HOLE Ø6.35
THICKNESS: T

- 適用Ø3 LED帽緣款
- 適用於2 PIN、3 PIN

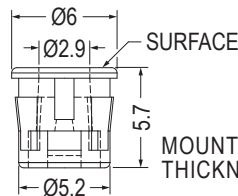
Part No.	T	Package
LED3-16	0.6~1.0	1000
LED3-16M	1.0~1.2	



MOUNTING HOLE: ØG
THICKNESS: T

• 適用Ø5 LED帽緣款

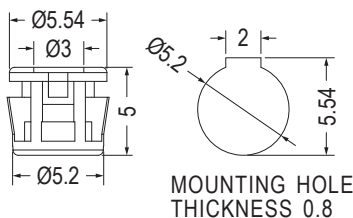
Part No.	A	B	D	G	T	Suitable LED	Package
LED5-17	10.9	10.5	8.8	9.0	0.6~1.0	3 PIN	1000
LED5-17M	10.9	10.5	8.8	9.0	1.0~1.2	3 PIN	
LED5-18	9.5	9.0	7.4	7.5	0.6~1.0	2 PIN	
LED5-18M	9.5	9.0	7.4	7.5	1.0~1.2	2 PIN	
LED5-18L	9.5	9.0	7.4	7.6	1.5	2 PIN	



MOUNTING HOLE Ø5.2
THICKNESS 0.8~1.0

- 適用Ø3 LED帽緣款
- 適用於2 PIN

Part No.	Surface	Package
LED3-17	Matte	1000
LED3-35	Glossy	



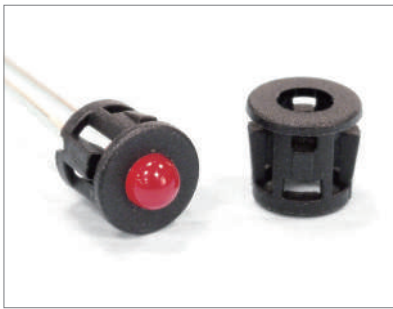
MOUNTING HOLE
THICKNESS 0.8

- 適用Ø3 LED帽緣款
- 適用於2 PIN、3 PIN

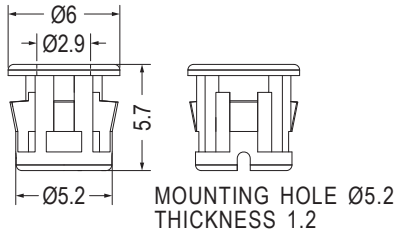
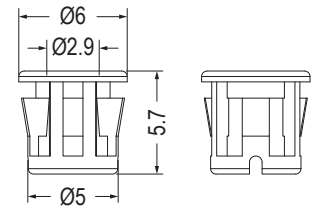
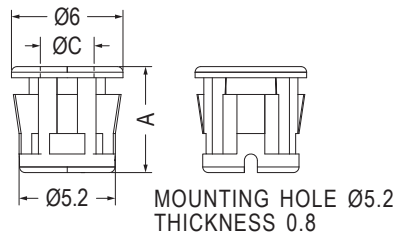
Part No.	Package
LED3-25	1000

LED座 LED MOUNT

用途：可快速將LED固定於機器面板上。



- Material: Nylon 66 (UL)
- Flame Class: 94V-2/94V-0
- Color: Black
- Unit: mm



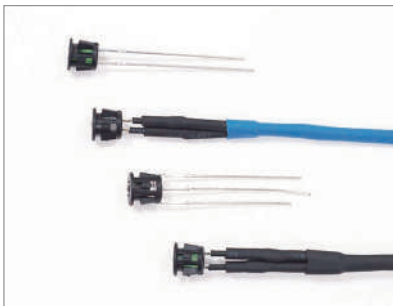
- 適用Ø3 LED帽緣款
- 適用於2 PIN、3 PIN

Part No.	A	C	Package
LED3-18	5.7	2.9	1000
LED3-18L	5.7	3.1	
LED3-43	5.5	2.9	
LED3-55	4.4	2.9	

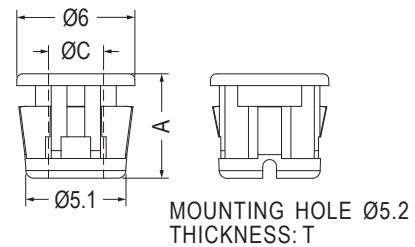
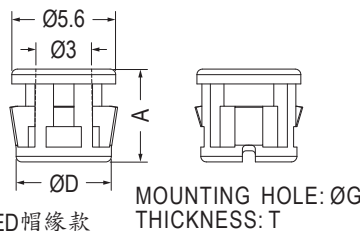
- Patented (專利品)
- 適用Ø3 LED帽緣款
- 適用於2 PIN、3 PIN

Part No.	Package
LED3-59	1000

Part No.	Package
LED3-24	1000



- Material: Nylon 66 (UL)
- Flame Class: 94V-2/94V-0
- Color: Black
- Unit: mm
- Patented (專利品)

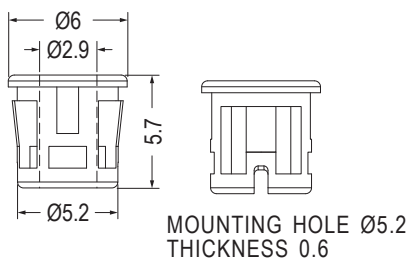


- 適用Ø3 LED帽緣款
- 適用於2 PIN、3 PIN

- 適用於2 PIN、3 PIN

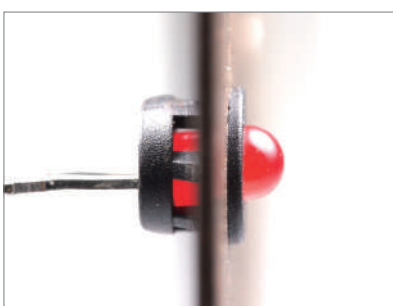
Part No.	A	D	G	T	Package
LED3-30	5.0	5.2	5.2	1.1	1000
LED3-31	5.2	4.95	5.0	0.8	

Part No.	A	C	T	適用LED帽緣款	Package
LED3-40	5.3	2.8	0.8~1.0	Ø2.8	1000
LED3-40S	5.3	2.8	0.8	Ø2.8	
LED3-41	5.3	2.8	1.2	Ø2.8	
LED3-42	5.7	2.95	0.8~1.0	Ø3.0	

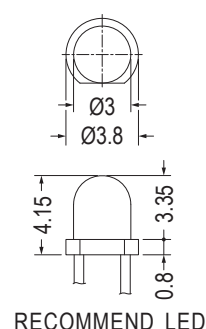
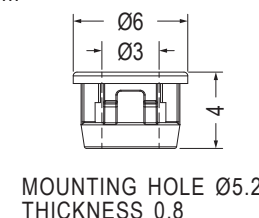


- 適用Ø3 LED帽緣款
- 適用於2 PIN、3 PIN

Part No.	Package
LED3-17-0.6	1000



- Material: Nylon 66 (UL)
- Flame Class: 94V-2/94V-0
- Color: Black
- Unit: mm



- 適用Ø3 LED帽緣款
- 適用於2 PIN

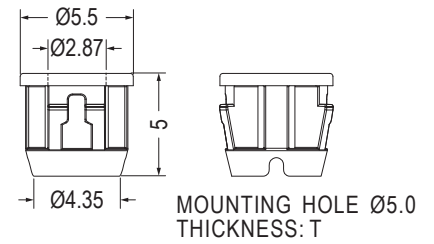
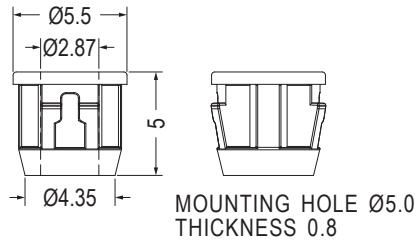
Part No.	Package
LED3-64	1000

LED座 LED MOUNT

用途：可快速將LED固定於機器面板上。



- Material: Nylon 66 (UL)
- Flame Class: 94V-2/94V-0
- Color: Black
- Unit: mm



- 適用Ø2.8 LED帽緣款
- 適用於2 PIN

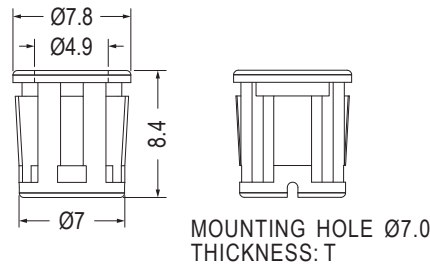
Part No.	Package
LED3-49	1000

- 適用Ø2.8 LED帽緣款
- 適用於2 PIN、3 PIN

Part No.	T	Package
LED3-50	0.8	1000
LED3-50L	1.1	



- Material: Nylon 66 (UL)
- Flame Class: 94V-2/94V-0
- Color: Black
- Unit: mm
- Patented (專利品)



- 適用Ø5 LED帽緣款
- 適用於2 PIN、3 PIN

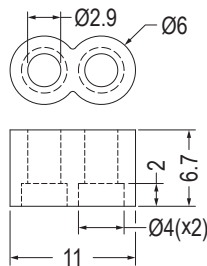
Part No.	T	Package
LED5-24	0.8	1000
LED5-24M	1.2	
LED5-24L	1.6	

LED套 LED SLEEVE

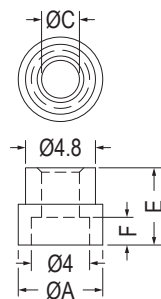
用途：用於LED的遮光。



- Material: Silicon Rubber
- Color: Black
- Unit: mm



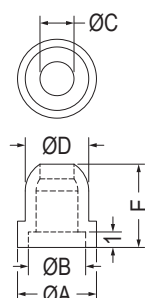
Part No.	Package
LEDMK-1	2000



Part No.	A	C	E	F	Package
TF-263	5.8	2.6	5.3	1.9	2000
TF-444	6.0	2.8	5.45	1.3	



- Material: Silicon Rubber
- Color: Black
- Unit: mm

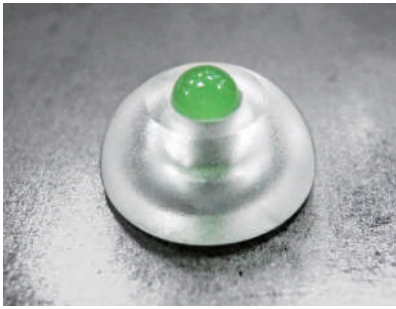


用途：用於LED的遮光，避免光干擾。

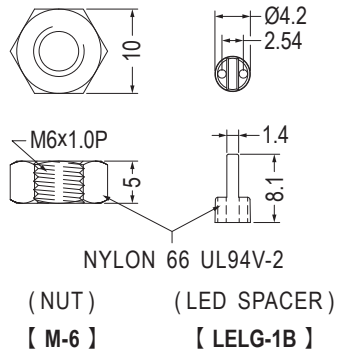
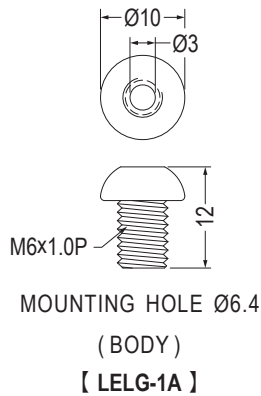
- 適用Ø3 LED、Ø5 LED
- 適用於2 PIN、3 PIN

Part No.	A	B	C	D	E	Package
LEDMK-3	5.1	3.7	2.2	4.1	5.4	2000
LEDMK-5	7.1	5.7	4.0	6.1	8.55	

LED座 LED MOUNT



- Body Material: PC (UL)
- Flame Class: 94V-2
- Color: Transparent/Natural
- Unit: mm

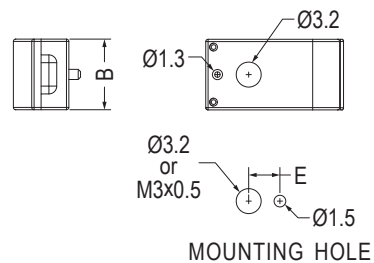
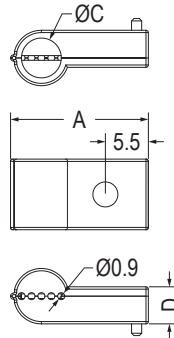


用途：快速固定 $\varnothing 3$ mm LED於面板上，需搭配M-6螺帽使用，可當電源指示燈。

Part No.	Part No.	Package
LELG-1F	LELG-1A	2000
	LELG-1B	
	M-6	
子母包：內容物包含右方零件 上述零件亦可單獨選購		



- Material: Nylon 66 (UL)
- Flame Class: 94V-2/94V-0
- Color: Black
- Unit: mm



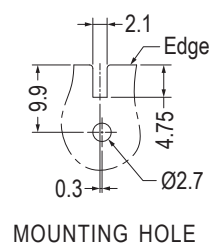
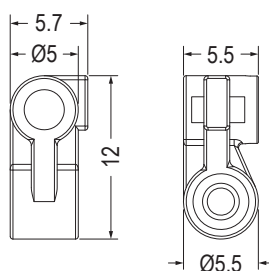
用途：可快速將LED固定於機器面板上。

• 適用於 2 PIN、3 PIN

Part No.	A	B	C	D	E	適用LED 帽緣款	Package
LEKHD-1	17.65	9.05	5.1	4.75	4.0	$\varnothing 5$	1000
LEKHD-2	14.05	6.0	3.1	4.25	3.0	$\varnothing 3$	



- Material: Nylon 66 (UL)
- Flame Class: 94V-2/94V-0
- Color: Black
- Unit: mm
- Patented (專利品)

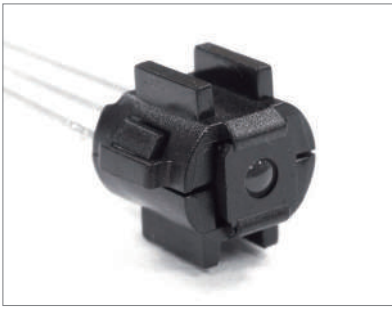


用途：可快速將 $\varnothing 3$ mm LED燈固定於機器面板上，有遮光，不干涉。

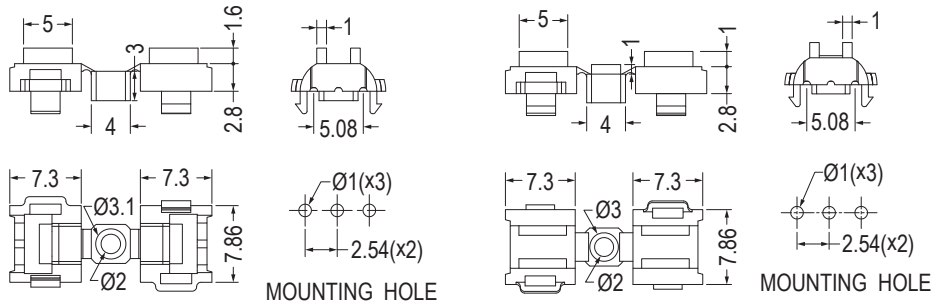
Part No.	Package
LEKHA-1	1000

LED座 LED MOUNT

用途：可快速將LED固定於PC板上。

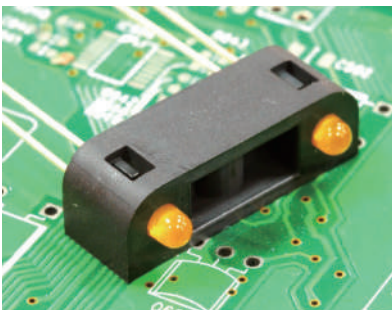


- Material: Nylon 66 (UL)
- Flame Class: 94V-2/94V-0
- Color: Black
- Unit: mm



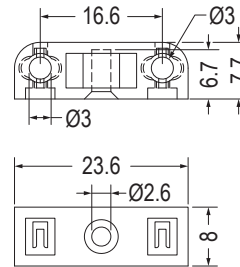
Part No.	Package
PMR-8	1000

Part No.	Package
PMR-15	1000



- Material: Nylon 66 (UL)
- Flame Class: 94V-2/94V-0
- Color: Black
- Unit: mm

用途：配合螺絲，可將2 PIN、3 PIN Ø3 mm LED固定於機板上。



Part No.	Package
EMD-141	1000



- Material: Nylon 66 (UL)
- Flame Class: 94V-2/94V-0
- Color: Black
- Unit: mm

用途：配合螺絲，可將LED固定於機板上。



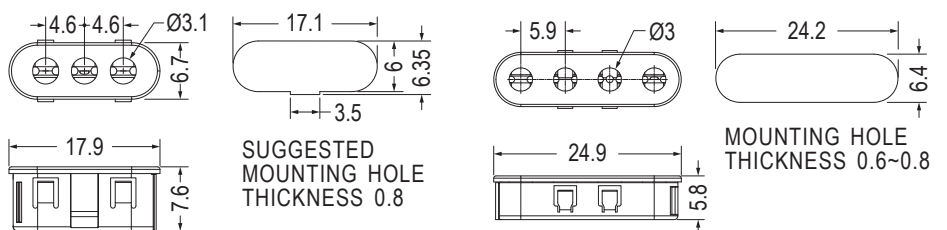
Part No.	Package
LED3-47	1000

Part No.	Package
LED3-48	1000



- Material: Nylon 66 (UL)
- Flame Class: 94V-2/94V-0
- Color: Black
- Unit: mm
- Patented (專利品)

用途：可快速將LED固定於機器面板上。

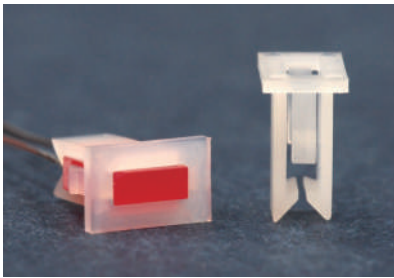


Part No.	Package
LED3-14-3S	1000

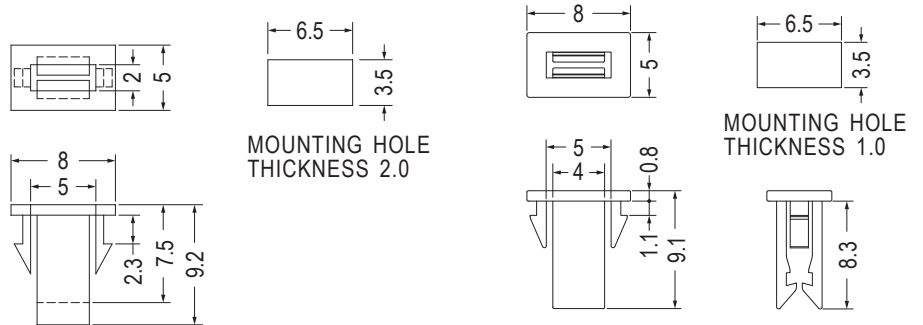
Part No.	Package
LED3-14-4S	1000

LED座 LED MOUNT

用途：可快速將5X2方形LED固定於機器面板上。



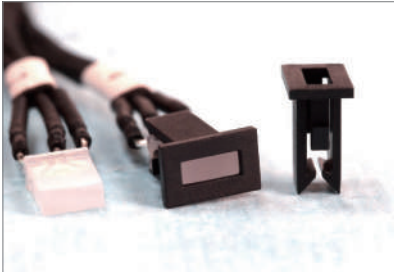
- Material: Nylon 66 (UL)
- Flame Class: 94V-2/94V-0
- Color: Natural/Black
- Unit: mm



• Patented (專利品)

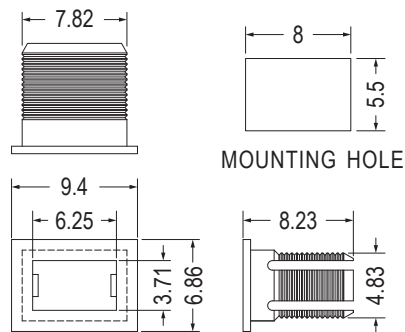
Part No.	Package
LEQ-1	2000

Part No.	Package
LEQ-3	2000



- Material: Nylon 66 (UL)
- Flame Class: 94V-2/94V-0
- Color: Black
- Unit: mm

用途：可將方形LED固定於機器面板上，與LEQ-2T配合使用。

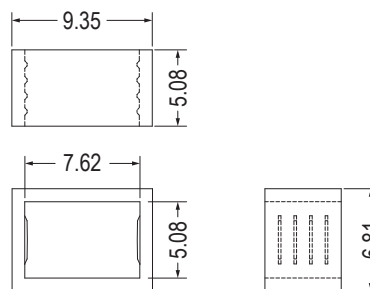


Part No.	Package
LEQ-2	1000

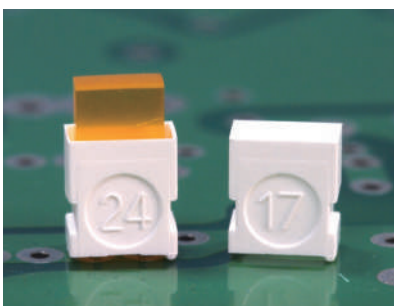


- Material: Nylon 66 (UL)
- Flame Class: 94V-2/94V-0
- Color: Black
- Unit: mm

用途：可配合加強LEQ-2固定於機器面板上不脫落。

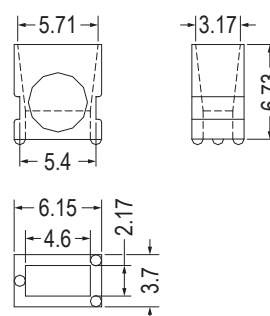


Part No.	Package
LEQ-2T	1000



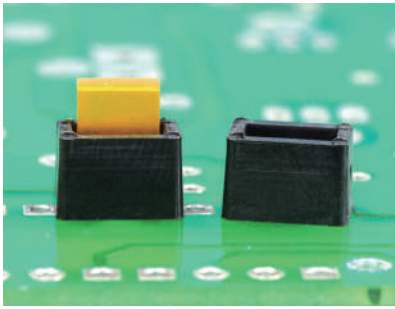
- Material: PC (UL)
- Flame Class: 94V-2/94V-0
- Color: Natural/White
- Unit: mm

用途：做為LED外殼。



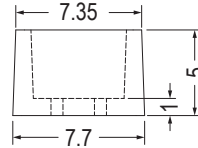
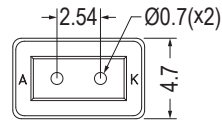
Part No.	Package
ELED-1	2000

LED座 LED MOUNT



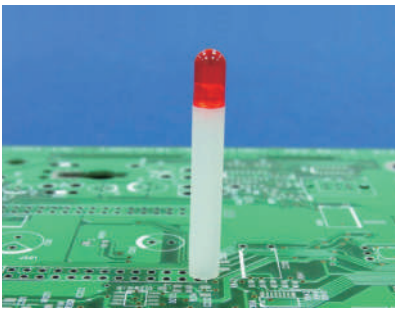
- Material: Nylon 66 (UL)
- Flame Class: 94V-2/94V-0
- Color: Black
- Unit: mm
- Patented (專利品)

用途：保護LED固定PC板上，使接腳不會彎曲、折斷、短路，並使LED高度一致。



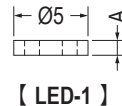
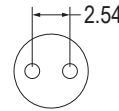
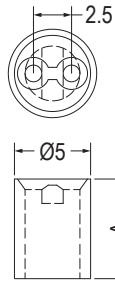
Part No.	Package
LEF-1	2000

LED間隔柱 LED SPACER

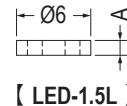
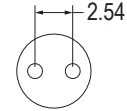


- Material: Nylon 66 (UL)
- Flame Class: 94V-2/94V-0
- Color: Natural/Black
- Unit: mm

用途：用於保護 $\varnothing 5$ mm LED立於PC板上，使高度一致，接腳不會彎曲、折斷、短路。



【 LED-1 】

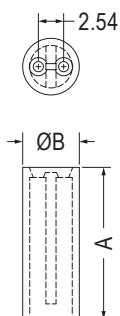


【 LED-1.5L 】

Part No.	A	Package
LED-1	1.0	2000
LED-1.5	1.5	
LED-1.5L	1.5	
LED-2	2.0	
LED-2.5	2.5	
LED-3	3.0	
LED-3.5	3.5	
LED-4	4.0	
LED-4.5	4.5	
LED-5	5.0	
LED-5.5	5.5	
LED-6	6.0	
LED-6.5	6.5	
LED-6.8	6.8	
LED-7	7.0	
LED-7.5	7.5	
LED-8	8.0	
LED-8.5	8.5	

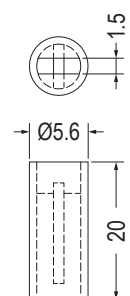
Part No.	A	Package
LED-8.8	8.8	2000
LED-9	9.0	
LED-9.5	9.5	
LED-10	10.0	
LED-10S	10.0	
LED-10.5	10.5	
LED-11	11.0	
LED-11.5	11.5	
LED-12	12.0	
LED-12.5	12.5	
LED-13	13.0	
LED-13.5	13.5	
LED-14	14.0	
LED-14.5	14.5	
LED-15	15.0	
LED-15.5	15.5	
LED-16	16.0	
LED-16.5	16.5	

Part No.	A	Package
LED-17	17.0	1000
LED-17.5	17.5	
LED-17.7	17.7	
LED-18	18.0	
LED-18.5	18.5	
LED-19	19.0	
LED-19.5	19.5	
LED-20	20.0	
LED-20.5	20.5	
LED-21	21.0	
LED-21.5	21.5	
LED-22	22.0	
LED-22.5	22.5	
LED-23	23.0	
LED-23.5	23.5	
LED-24	24.0	
LED-27	27.0	
LED-28	28.0	



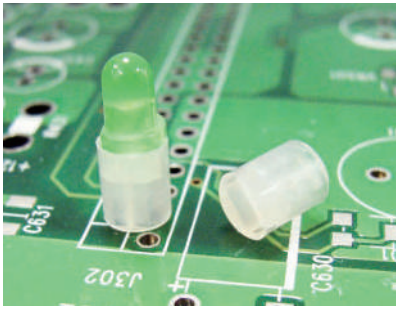
Part No.	A	B	Package
LEDW-2	2.0	5.6	2000
LEDW-5	5.0	5.0	
LEDW-7.5	7.5	5.0	
LEDW-9	9.0	5.0	
LEDW-12	12.0	5.0	
LEDW-15	15.0	5.6	
LEDW-16	16.0	5.6	1000

Part No.	A	B	Package
LEDW-17	17.0	5.6	1000
LEDW-18.5	18.5	5.6	
LEDW-19	19.0	5.6	
LEDW-21	21.0	5.6	
LEDW-21.5	21.5	5.6	
LEDW-22	22.0	5.6	
LEDW-23.5	23.5	5.6	



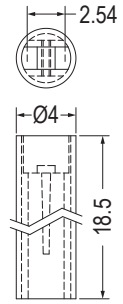
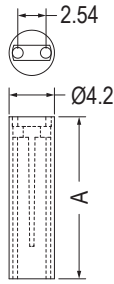
Part No.	Package
LEDW-20	1000

LED間隔柱 LED SPACER



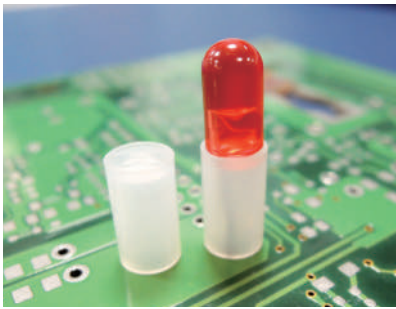
- Material: Nylon 66 (UL)
- Flame Class: 94V-2/94V-0
- Color: Natural/Black
- Unit: mm

用途：用於保護 $\varnothing 3$ mm LED立於PC板上，使高度一致，中間隔板設計，接腳不會彎曲、折斷、短路。



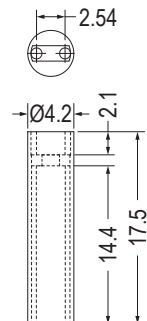
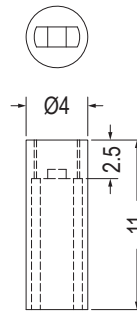
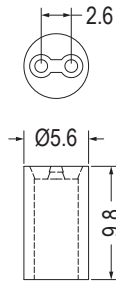
Part No.	A	Package
LEDEW-5	5.0	1000
LEDEW-8.5	8.5	
LEDEW-15	15.0	
LEDEW-17	17.0	
LEDEW-17.5	17.5	

Part No.	Package
LEDSW-18.5	1000



- Material: Nylon 66 (UL)
- Flame Class: 94V-2/94V-0
- Color: Natural/Black
- Unit: mm

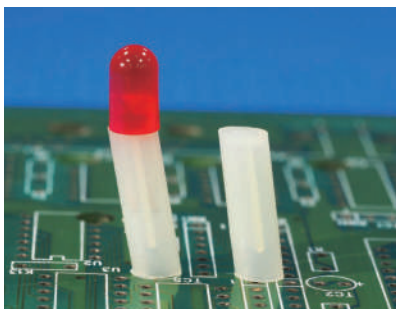
用途：使LED立於PC板上，高度一致，不斷腳。



Part No.	Package
LEDLA-9.8	2000

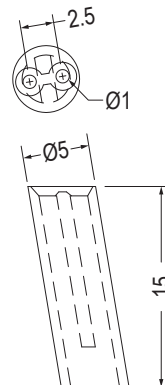
Part No.	Package
LEDSB-11	2000

Part No.	Package
LEDE-17.5	1000



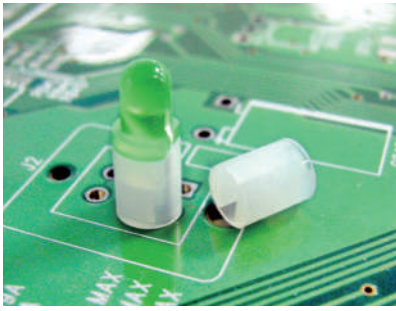
- Material: Nylon 66 (UL)
- Flame Class: 94V-2/94V-0
- Color: Natural/Black
- Unit: mm

用途：使LED成 80.5° 焊於PC板上，高度一致，不斷腳，中間有隔板不短路。



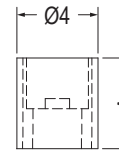
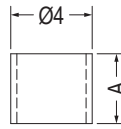
Part No.	Package
LEDA-15	1000

LED間隔柱 LED SPACER



- Material: Nylon 66 (UL)
- Flame Class: 94V-2/94V-0
- Color: Natural/Black
- Unit: mm

用途：用於保護 $\varnothing 3$ mm LED立於PC板上，接腳不會彎曲、折斷、短路，且使LED高度一致，免用治具，尺寸齊全。

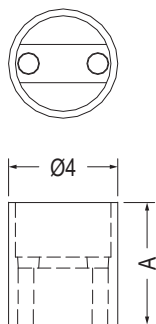


【 LEDS-0.8~LEDS-3.5 】

Part No.	A	Package
LEDS-0.8	0.8	2000
LEDS-1	1.0	
LEDS-1.5	1.5	
LEDS-2	2.0	
LEDS-2.5	2.5	
LEDS-3	3.0	
LEDS-3.5	3.5	
LEDS-4	4.0	
LEDS-4.5	4.5	
LEDS-5	5.0	
LEDS-5.5	5.5	
LEDS-6	6.0	
LEDS-6.5	6.5	

Part No.	A	Package
LEDS-7	7.0	2000
LEDS-7.5	7.5	
LEDS-8	8.0	
LEDS-8.5	8.5	
LEDS-9	9.0	
LEDS-9.5	9.5	
LEDS-9.8	9.8	
LEDS-10	10.0	
LEDS-10.5	10.5	
LEDS-11	11.0	
LEDS-11.5	11.5	
LEDS-12	12.0	
LEDS-12.5	12.5	
LEDS-13	13.0	
LEDS-13.5	13.5	
LEDS-14	14.0	
LEDS-14.5	14.5	
LEDS-15	15.0	

Part No.	A	Package
LEDS-15.5	15.5	2000
LEDS-16	16.0	1000
LEDS-16.5	16.5	
LEDS-17	17.0	
LEDS-17.5	17.5	
LEDS-18	18.0	
LEDS-18.5	18.5	
LEDS-19	19.0	
LEDS-19.5	19.5	
LEDS-20	20.0	
LEDS-20.5	20.5	
LEDS-21	21.0	
LEDS-21.5	21.5	
LEDS-22	22.0	
LEDS-22.5	22.5	
LEDS-23	23.0	
LEDS-23.5	23.5	
LEDS-24	24.0	



Part No.	A	Package
LEDS-3S	3.0	2000
LEDS-4S	4.0	
LEDS-4.5S	4.5	
LEDS-5S	5.0	
LEDS-5.5S	5.5	
LEDS-6S	6.0	
LEDS-6.5S	6.5	
LEDS-7S	7.0	
LEDS-7.5S	7.5	
LEDS-8S	8.0	
LEDS-8.5S	8.5	
LEDS-9S	9.0	
LEDS-9.5S	9.5	
LEDS-10S	10.0	
LEDS-11S	11.0	
LEDS-11.5S	11.5	
LEDS-12S	12.0	
LEDS-12.5S	12.5	

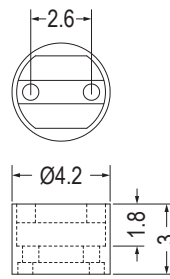
Part No.	A	Package
LEDS-13S	13.0	2000
LEDS-13.5S	13.5	
LEDS-14.5S	14.5	
LEDS-15S	15.0	
LEDS-15.5S	15.5	
LEDS-16S	16.0	
LEDS-16.5S	16.5	
LEDS-17S	17.0	
LEDS-17.5S	17.5	
LEDS-18S	18.0	
LEDS-18.5S	18.5	
LEDS-19S	19.0	1000
LEDS-20S	20.0	
LEDS-20.5S	20.5	
LEDS-21S	21.0	
LEDS-21.5S	21.5	
LEDS-22S	22.0	
LEDS-22.5S	22.5	
LEDS-23S	23.0	

LED間隔柱 LED SPACER

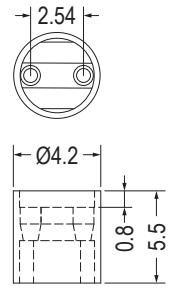
用途：使 $\varnothing 3$ mm LED立於PC板上，高度一致，不斷腳。



- Material: Nylon 66 (UL)
- Flame Class: 94V-2/94V-0
- Color: Natural/Black
- Unit: mm

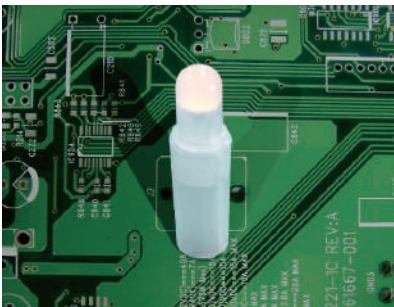


Part No.	Package
LEDL-3	2000



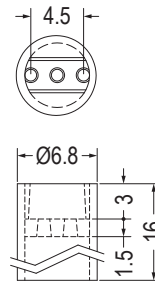
Part No.	Package
LEDL-5.5	2000

2



- Material: Nylon 66 (UL)
- Flame Class: 94V-2/94V-0
- Color: Natural/Black
- Unit: mm

用途：使3 PIN $\varnothing 3$ mm LED立於PC板上，高度一致，不斷腳。

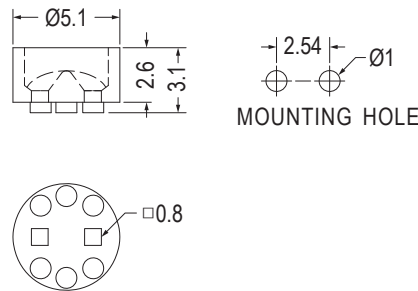


Part No.	Package
LEH3-16	2000

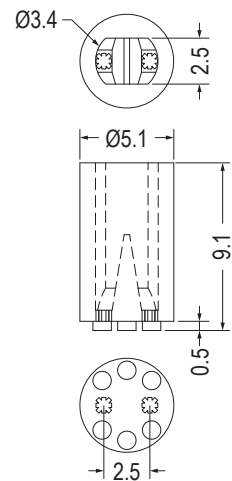


- Material: Nylon 66 (UL)
- Flame Class: 94V-2/94V-0
- Color: Natural/Black
- Unit: mm

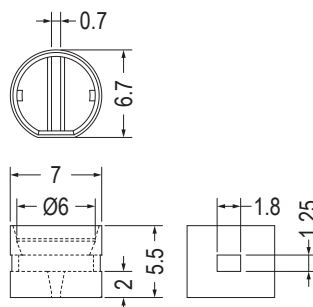
用途：使 $\varnothing 5$ mm LED固定於PC板上，高度一致，不斷腳。



Part No.	Package
LED2M-3.6	2000



Part No.	Package
LED2M-9.1	2000



- 適用 $\varnothing 5$ LED帽緣款
- 適用於2 PIN、3 PIN

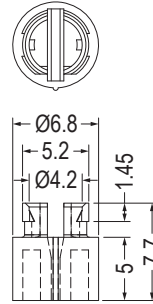
Part No.	Package
LEDF-2	2000

LED間隔柱 LED SPACER

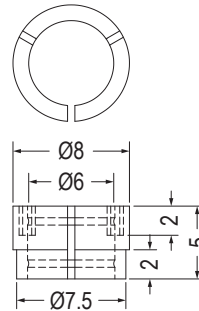
用途：使LED固定於PC板上，高度一致，不斷腳。



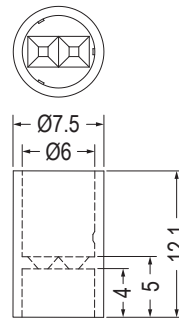
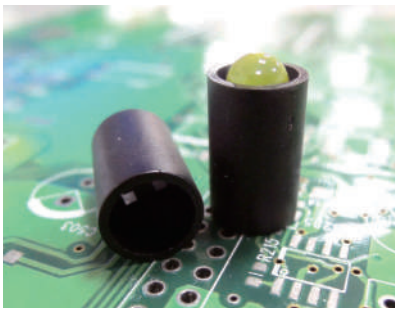
- Material: Nylon 66 (UL)
- Flame Class: 94V-2/94V-0
- Color: Natural/Black
- Unit: mm



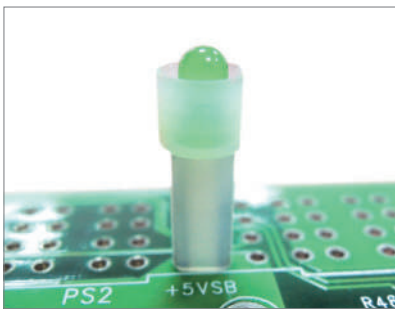
Part No.	Package
LEDF-3	2000



Part No.	Package
COC8-5	2000

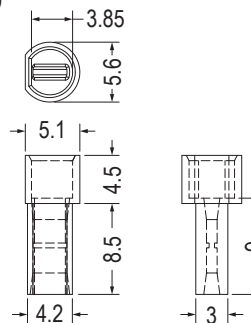


Part No.	Package
LEDD-12	1000

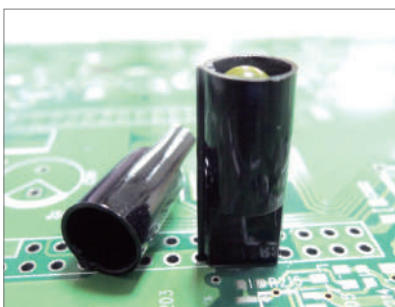


- Material: Nylon 66 (UL)
- Flame Class: 94V-2/94V-0
- Color: Natural/Black
- Unit: mm

用途：用於保護Ø3 mm LED立於PC板上，高度一致，不斷腳，有遮光效果，不漏光。

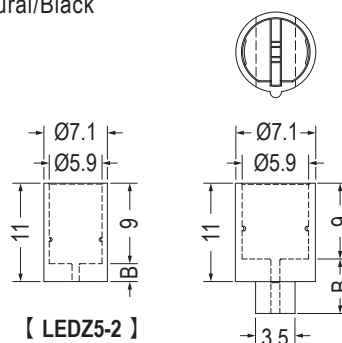


Part No.	Package
LEDZ3-9	2000



- Material: Nylon 66 (UL)
- Flame Class: 94V-2/94V-0
- Color: Natural/Black
- Unit: mm

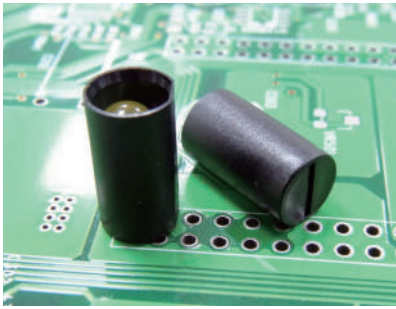
用途：用於保護Ø5 mm LED立於PC板上，高度一致，不斷腳，有遮光效果，不漏光。



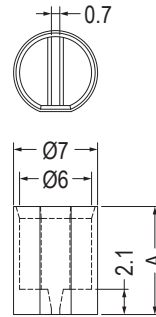
【 LEDZ5-2 】

Part No.	B	Package
LEDZ5-2	2.0	2000
LEDZ5-3	3.0	
LEDZ5-4	4.0	
LEDZ5-5	5.0	
LEDZ5-6	6.0	
LEDZ5-7	7.0	
LEDZ5-8	8.0	
LEDZ5-9	9.0	
LEDZ5-10	10.0	

LED間隔柱 LED SPACER

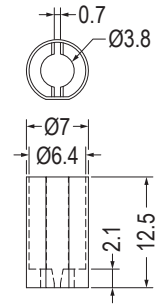
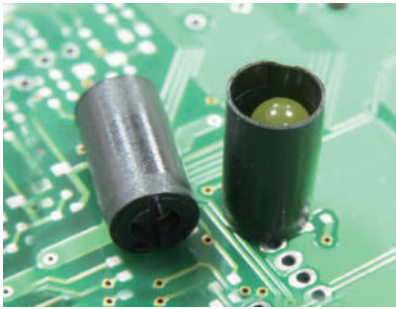


- Material: Nylon 66 (UL)
- Flame Class: 94V-2/94V-0
- Color: Natural/Black
- Unit: mm

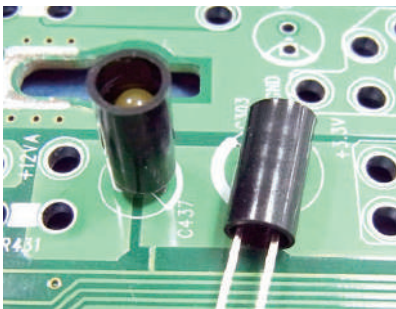


用途：用於保護 $\varnothing 5$ mm LED立於PC板上，高度一致，不斷腳，有遮光效果，不漏光。

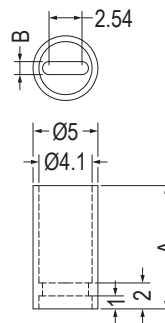
Part No.	A	Package
LEDX5-1	9.0	2000
LEDX5-2	12.5	1000



Part No.	Package
LEDX5-2	1000

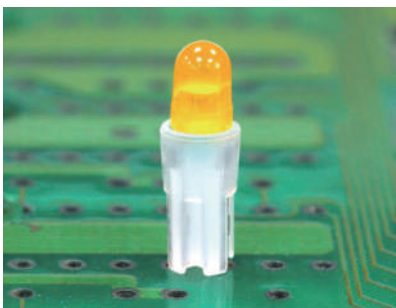


- Material: Nylon 66 (UL)
- Flame Class: 94V-2/94V-0
- Color: Natural/Black
- Unit: mm

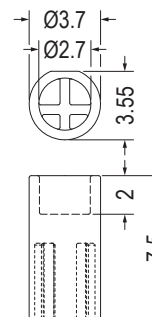


用途：用於保護 $\varnothing 3$ mm LED立於PC板上，高度一致，不斷腳，不漏光。

Part No.	A	B	Package
LEDX3-1	9.5	1.0	1000
LEDX3-3	8.0	5.0	

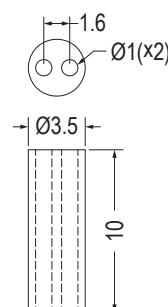
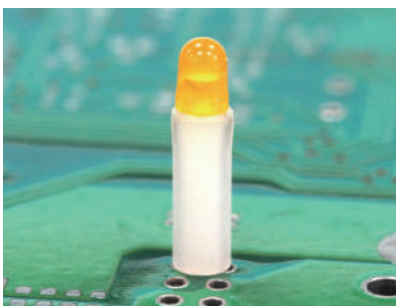


- Material: Nylon 66 (UL)
- Flame Class: 94V-2/94V-0
- Color: Natural/Black
- Unit: mm



用途：使LED立於PC板上，高度一致，不斷腳。

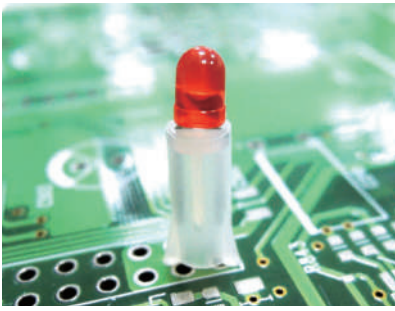
Part No.	Package
LEDXB-7.5	1000



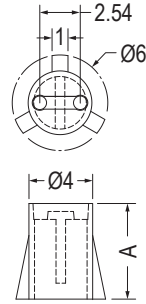
Part No.	Package
LEDBF-10	1000

LED間隔柱 LED SPACER

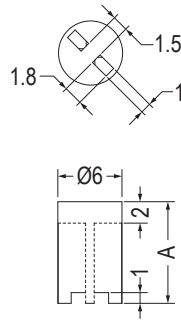
用途：使LED立於PC板上，高度一致，不斷腳。



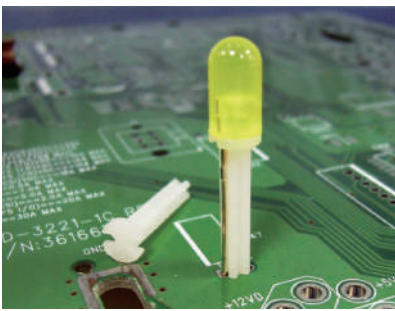
- Material: Nylon 66 (UL)
- Flame Class: 94V-2/94V-0
- Color: Natural/Black
- Unit: mm



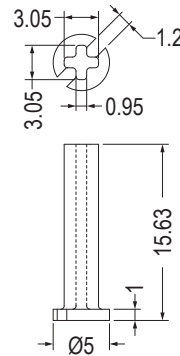
Part No.	A	Package
LEDO-6	6.0	2000
LEDO-9.5	9.5	
LEDO-15.5	15.5	



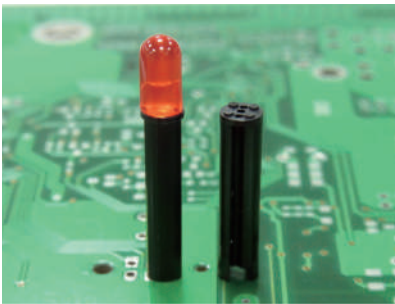
Part No.	A	Package
LEDXV-4.8	4.8	2000
LEDXV-6.5	6.5	
LEDXV-9.5	9.5	
LEDXV-12.7	12.7	
LEDXV-19.1	19.1	
LEDXV-22.2	22.2	
LEDXV-25.4	25.4	



- Material: ABS (UL)
- Flame Class: 94HB
- Color: Natural
- Unit: mm

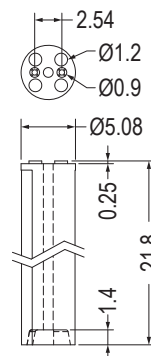


Part No.	Package
LEDXA-15.6	2000



- Material: PBT (UL)
- Flame Class: 94V-0
- Color: Black
- Unit: mm

用途：用於保護Ø5 mm LED立於PC板上，高度一致，接腳不彎曲，折斷、短路。

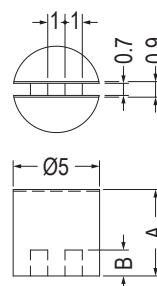


Part No.	Package
LEDAA-22	1000



- Material: Nylon 66 (UL)
- Flame Class: 94V-2/94V-0
- Color: Natural/Black
- Unit: mm

用途：使3 PIN Ø3 mm LED固定於PC板上，高度一致，不斷腳。



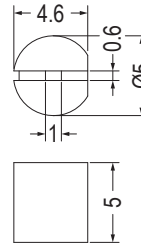
Part No.	A	B	Package
LEDM-3	3.0	1.0	2000
LEDM-4	4.0	1.0	
LEDM-5	5.0	1.5	
LEDM-8	8.0	5.0	1000
LEDM-16	16.0	13.0	

LED間隔柱 LED SPACER

用途：使3 PIN Ø3 mm LED固定於PC板上，高度一致，不斷腳。



- Material: Nylon 66 (UL)
- Flame Class: 94V-2/94V-0
- Color: Natural/Black
- Unit: mm



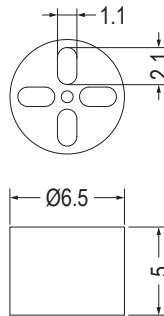
Part No.	Package
LEDQ-5	2000

2



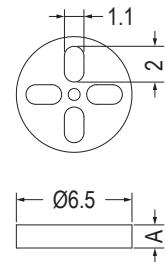
- Material: Nylon 66 (UL)
- Flame Class: 94V-2/94V-0
- Color: Natural/Black
- Unit: mm

用途：使LED固定於PC板上，高度一致，不斷腳。

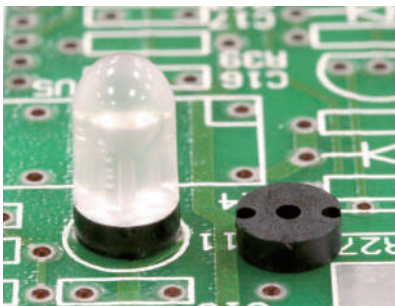


Part No.	Package
LEDAJ-5	2000

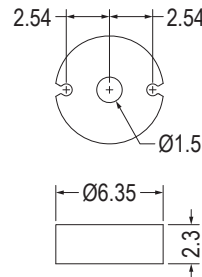
- Material: TPE
- Color: Black
- Unit: mm



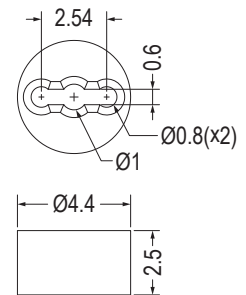
Part No.	A	Package
LEDAJ-1.3	1.3	2000
LEDAJ-7.9	7.9	



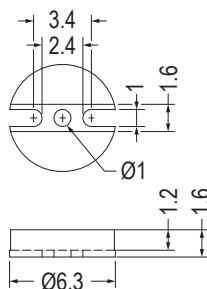
- Material: Nylon 66 (UL)
- Flame Class: 94V-2/94V-0
- Color: Natural/Black
- Unit: mm



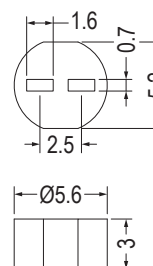
Part No.	Package
LEDHB-2.3	2000



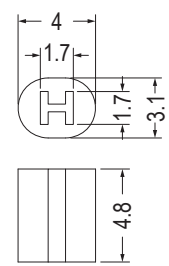
Part No.	Package
LEDBA-2.5	1000



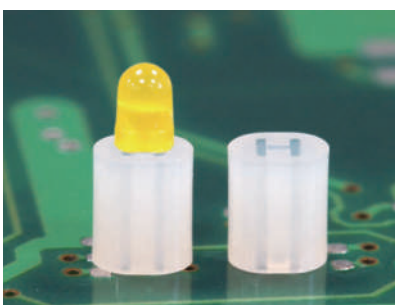
Part No.	Package
LEDBC-1.6	2000



Part No.	Package
LEDBB-3	2000

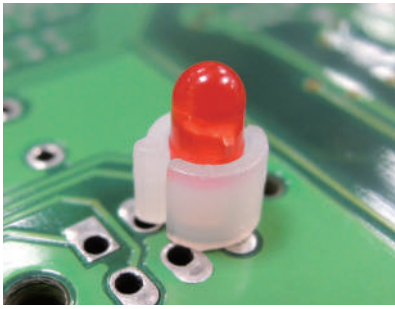


Part No.	Package
LEDBD-4.8	1000

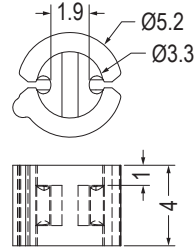


LED間隔柱 LED SPACER

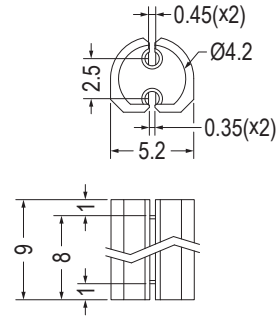
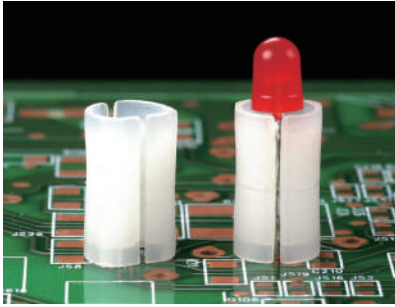
用途：使LED立於PC板上，高度一致，不斷腳。



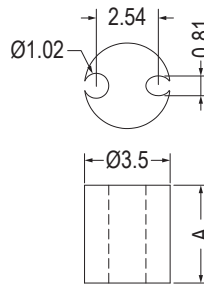
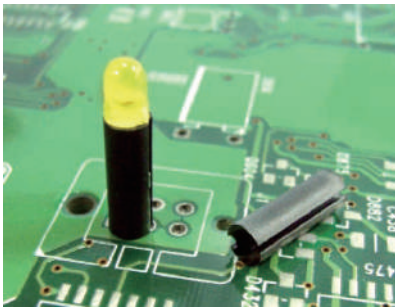
- Material: Nylon 66 (UL)
- Flame Class: 94V-2/94V-0
- Color: Natural/Black
- Unit: mm



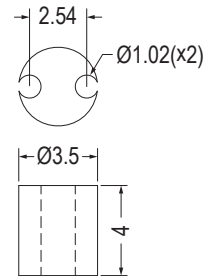
Part No.	Package
LEDHC-4	2000



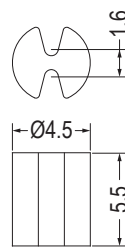
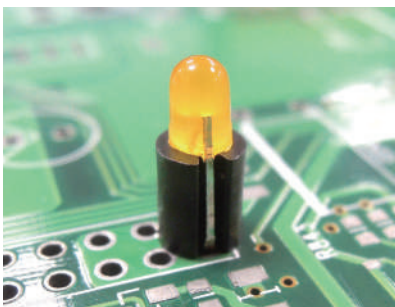
Part No.	Package
LEDHG-8	2000



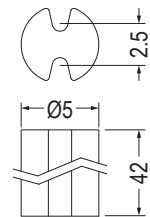
Part No.	A	Package
LEDG-3	3.0	2000
LEDG-10	10.1	2000



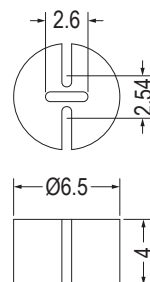
Part No.	Package
LEDG-4	2000



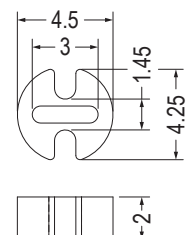
Part No.	Package
LEDV-5.5	2000



Part No.	Package
LEDV-42	1000



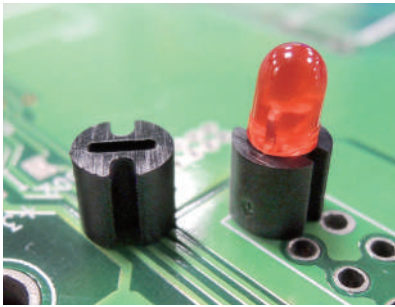
Part No.	Package
LEDHA-4	2000



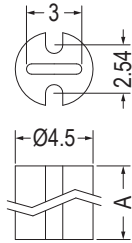
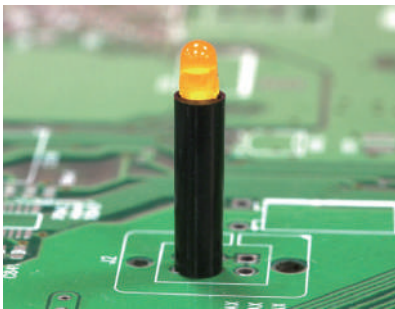
Part No.	Package
LEDH-2S	2000

LED間隔柱 LED SPACER

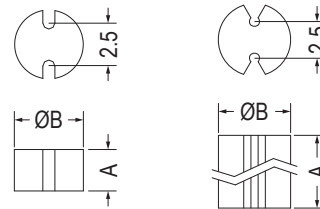
用途：使LED立於PC板上，高度一致，不斷腳。



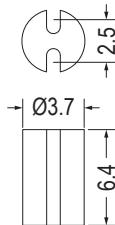
- Material: Nylon 66 (UL)
- Flame Class: 94V-2/94V-0
- Color: Natural/Black
- Unit: mm



Part No.	A	Package	Part No.	A	Package
LEDH-1	1.0	2000	LEDH-9.5	9.5	2000
LEDH-1.5	1.5		LEDH-10	10.0	
LEDH-2	2.0		LEDH-10.5	10.5	
LEDH-2.5	2.5		LEDH-11	11.0	
LEDH-3	3.0		LEDH-11.5	11.5	
LEDH-3.5	3.5		LEDH-12	12.0	
LEDH-4	4.0		LEDH-12.5	12.5	
LEDH-4.5	4.5		LEDH-13	13.0	
LEDH-5	5.0		LEDH-13.5	13.5	
LEDH-5.5	5.5		LEDH-14	14.0	
LEDH-6	6.0		LEDH-14.5	14.5	
LEDH-6.5	6.5		LEDH-15	15.0	
LEDH-7	7.0		LEDH-15.5	15.5	
LEDH-7.5	7.5		LEDH-16	16.0	
LEDH-8	8.0		LEDH-17	17.0	
LEDH-8.5	8.5		LEDH-17.5	17.5	
LEDH-9	9.0		LEDH-18	18.0	



【 LEDT-5~LEDT-14.5 】

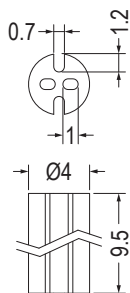


- Material: TPE
- Color: Black

Part No.	Package
LEDT-6.4S	1000

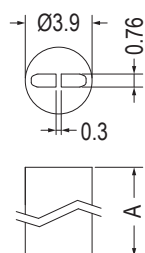
Part No.	A	B	Package
LEDT-2.4	2.4	4.0	2000
LEDT-5S	5.0	4.0	1000
LEDT-7S	7.0	3.7	2000
LEDT-5	5.0	5.0	1000
LEDT-5.5	5.5	5.0	
LEDT-8	8.0	5.0	
LEDT-9	9.0	5.0	
LEDT-11	11.0	5.0	

Part No.	A	B	Package
LEDT-14.5	14.5	5.0	1000
LEDT-16.1	16.1	5.0	
LEDT-16.4	16.4	5.0	
LEDT-17.5	17.5	5.0	
LEDT-20	20.2	5.0	
LEDT-22	22.0	5.0	
LEDT-22.7	22.7	5.0	
LEDT-23.5	23.5	5.0	
LEDT-26	26.0	5.0	

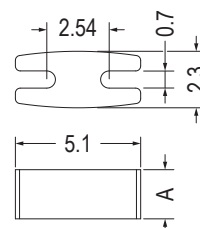


- Material: TPE
- Color: Black

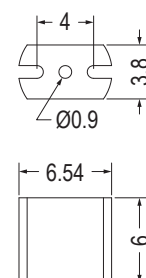
Part No.	Package
LEDAK-9.5	2000



Part No.	A	Package
LEDAC-14.5	14.5	2000
LEDAC-18	18.0	

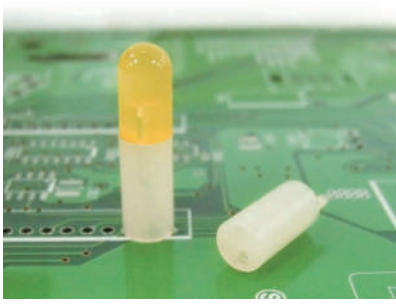


Part No.	A	Package
LEDSH-2	2.0	2000
LEDSH-3.5	3.5	
LEDSH-6	6.0	



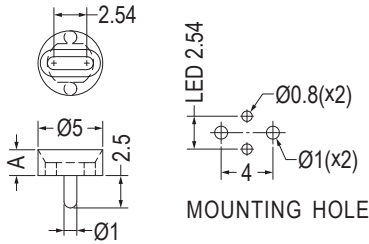
Part No.	Package
LEDSA-6	2000

LED間隔柱 LED SPACER

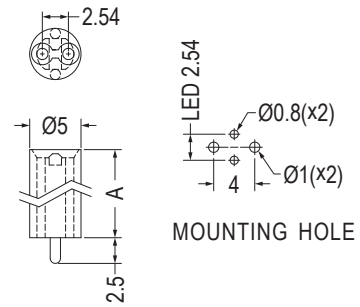


- Material: Nylon 66 (UL)
- Flame Class: 94V-2/94V-0
- Color: Natural/Black
- Unit: mm

用途：用於保護 $\varnothing 5$ mm LED立於PC板上，使高度一致，中間隔板設計，接腳不會彎曲、折斷、短路，有定位腳，不歪斜。

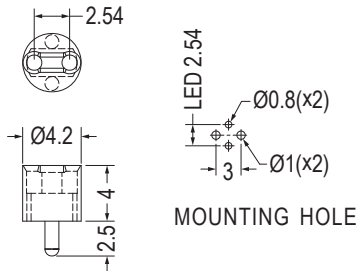


Part No.	A	Package
LEDK-2	2.0	2000
LEDK-3	3.0	

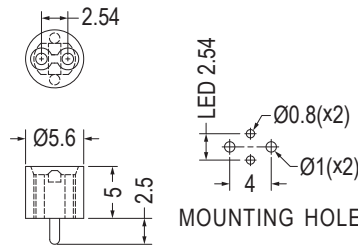


Part No.	A	Package
LEDK-4	4.0	2000
LEDK-6	6.0	
LEDK-7	7.0	
LEDK-8	8.0	
LEDK-9	9.0	
LEDK-10	10.0	
LEDK-11	11.0	1000

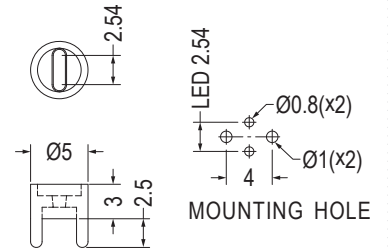
Part No.	A	Package
LEDK-11.5	11.5	1000
LEDK-12	12.0	
LEDK-12.5	12.5	
LEDK-13	13.0	
LEDK-14	14.0	
LEDK-18	18.0	
LEDK-20	20.0	



Part No.	Package
LEDK-4S	1000



Part No.	Package
LEDK-5	1000

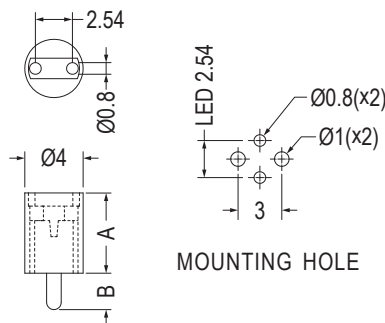


Part No.	Package
LEDKU-2	1000



- Material: Nylon 66 (UL)
- Flame Class: 94V-2/94V-0
- Color: Natural/Black
- Unit: mm

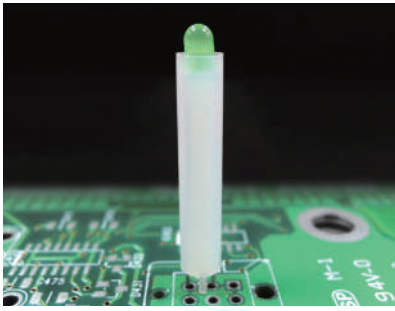
用途：用於保護 $\varnothing 3$ mm LED立於PC板上，使高度一致，中間隔板設計，接腳不會彎曲、折斷、短路，有定位腳，不歪斜。



Part No.	A	B	Package
LEDWK-5.5	5.5	2.5	1000
LEDWK-6	6.0	2.5	
LEDWK-7	7.0	2.5	
LEDWK-8.5	8.5	2.5	
LEDWK-9	9.0	2.5	
LEDWK-10S	10.0	1.6	
LEDWK-10	10.0	2.5	
LEDWK-11	11.0	2.5	
LEDWK-12	12.0	2.5	
LEDWK-13	13.0	2.5	
LEDWK-14	14.0	2.5	
LEDWK-15	15.0	2.5	
LEDWK-17	17.0	2.5	
LEDWK-23	23.0	2.5	

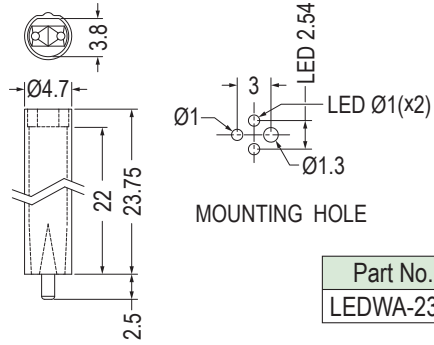
LED間隔柱 LED SPACER

2

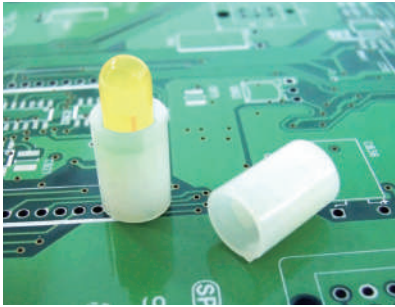


- Material: Nylon 66 (UL)
- Flame Class: 94V-2/94V-0
- Color: Natural/Black
- Unit: mm

用途：用於保護LED焊於PC板上，高度一致，有定位腳，不歪斜。

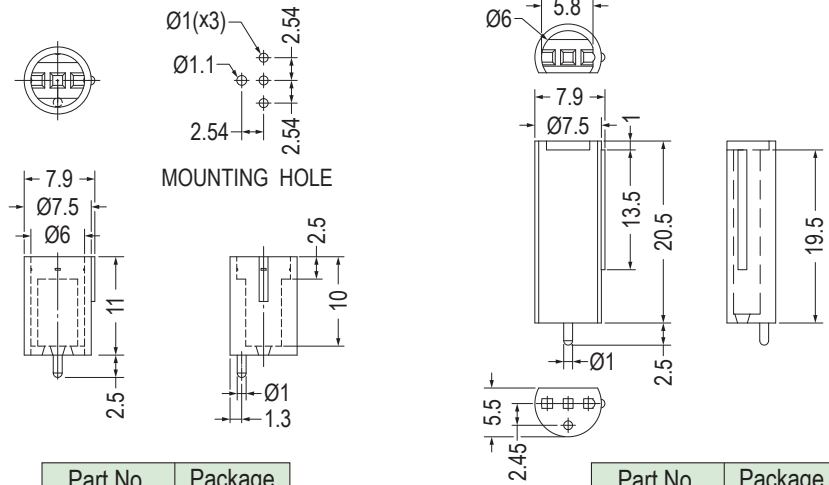


Part No.	Package
LEDWA-23.7	1000



- Material: Nylon 66 (UL)
- Flame Class: 94V-2/94V-0
- Color: Natural/Black
- Unit: mm

用途：用於保護3 PIN Ø5 mm LED焊於PC板上，高度一致，不斷腳，有定位腳，不歪斜。



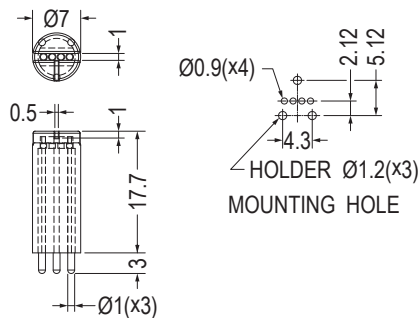
Part No.	Package
LECC-8.5	1000

Part No.	Package
LECA-19.5	1000

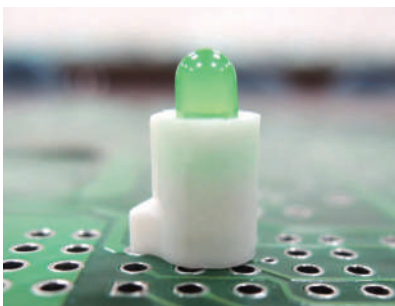


- Material: Nylon 66 (UL)
- Flame Class: 94V-2/94V-0
- Color: Natural/Black
- Unit: mm

用途：用於保護4 PIN Ø5 mm LED焊於PC板上，高度一致，有定位腳，不歪斜。

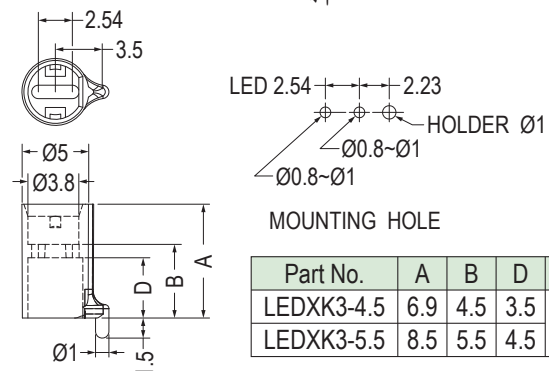


Part No.	Package
LEDKB-17.7	1000



- Material: Nylon 66 (UL)
- Flame Class: 94V-2/94V-0
- Color: Natural/Black
- Unit: mm
- Patented (專利品)

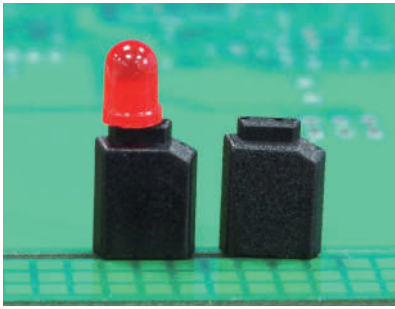
用途：用於保護2 PIN Ø3 mm LED焊於PC板上，高度一致，有定位腳，不歪斜。



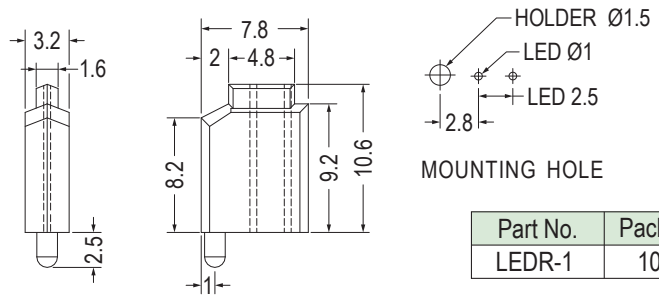
Part No.	A	B	D	Package
LEDXK3-4.5	6.9	4.5	3.5	1000
LEDXK3-5.5	8.5	5.5	4.5	

LED間隔柱 LED SPACER

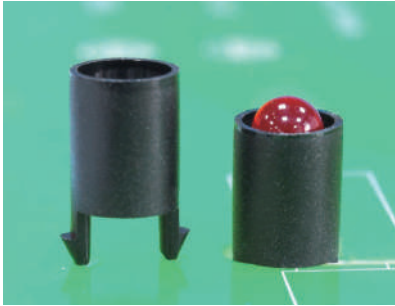
用途：固定LED焊於PC板上，高度一致，有定位腳，不傾斜。



- Material: Nylon 66 (UL)
- Flame Class: 94V-2/94V-0
- Color: Natural/Black
- Unit: mm

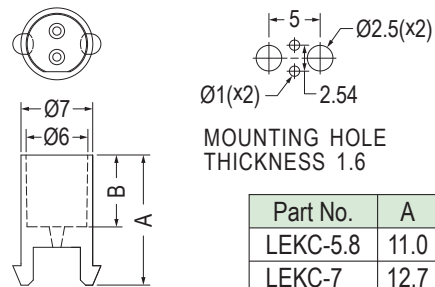


Part No.	Package
LEDR-1	1000



- Material: Nylon 66 (UL)
- Flame Class: 94V-2/94V-0
- Color: Natural/Black
- Unit: mm

用途：可快速將Ø5 mm LED固定於機板上。

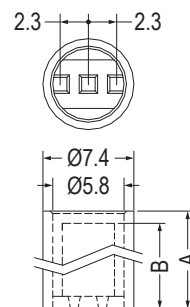


Part No.	A	B	Package
LEKC-5.8	11.0	5.8	2000
LEKC-7	12.7	7.0	

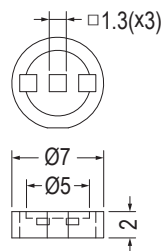
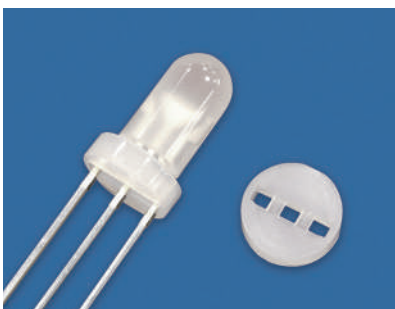


- Material: Nylon 66 (UL)
- Flame Class: 94V-2/94V-0
- Color: Natural/Black
- Unit: mm

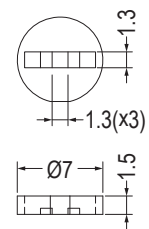
用途：使3 PIN Ø5 mm LED固定於PC板上，高度一致，不斷腳。



Part No.	A	B	Package
LEDU-4	4.0	3.0	2000
LEDU-6	6.0	5.0	
LEDU-9.5	9.5	8.5	
LEDU-11.5	11.5	10.5	



Part No.	Package
LEDU-2	2000

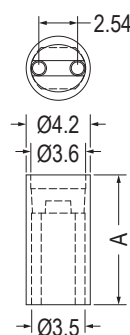


Part No.	Package
LEDU-1.5	2000



- Material: Nylon 66 (UL)
- Flame Class: 94V-2/94V-0
- Color: Natural/Black
- Unit: mm

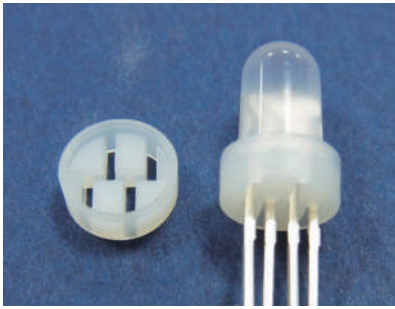
用途：用於保護Ø3 mm LED立於PC板上，高度一致，接腳不會彎曲、折斷、短路。



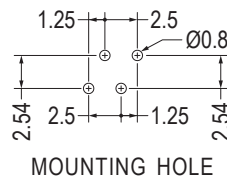
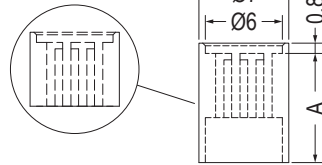
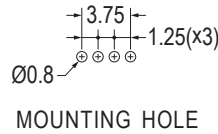
Part No.	A	Package
LEDMU-8.5	8.5	1000
LEDMU-10	10.0	
LEDMU-15	15.0	
LEDMU-18.5	18.5	
LEDMU-20	20.0	

LED間隔柱 LED SPACER

用途：使4 PIN變色LED固定於PC板上，高度一致，不斷腳。

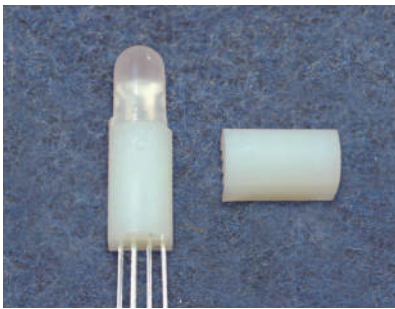


- Material: Nylon 66 (UL)
- Flame Class: 94V-2/94V-0
- Color: Natural/Black
- Unit: mm

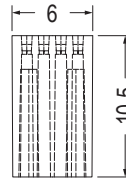
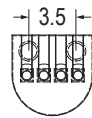


【 LED54-2.5~LED54-5 】

Part No.	A	Package
LED54-2	2.0	2000
LED54-2.5	2.5	1000
LED54-3	3.0	
LED54-3.5	3.5	
LED54-4	4.0	
LED54-4.5	4.5	
LED54-5	5.0	
LED54-5.5	5.5	
LED54-6	6.0	
LED54-6.5	6.5	
LED54-7	7.0	
LED54-7.5	7.5	
LED54-8	8.0	
LED54-8.5	8.5	
LED54-9	9.0	
LED54-9.5	9.5	
LED54-10	10.0	

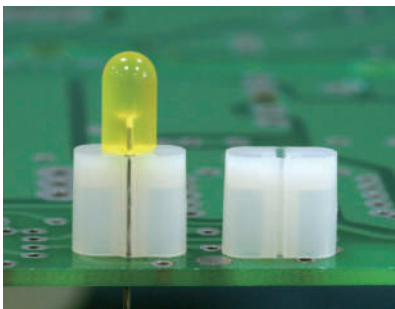


- Material: Nylon 66 (UL)
- Flame Class: 94V-2/94V-0
- Color: Natural/Black
- Unit: mm

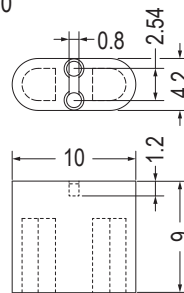


用途：使LED立於PC板上，高度一致，不斷腳。

Part No.	Package
LD54-10.5	2000

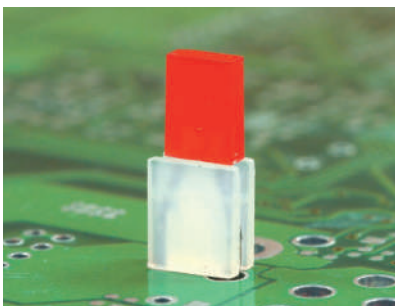


- Material: Nylon 66 (UL)
- Flame Class: 94V-2/94V-0
- Color: Natural/Black
- Unit: mm

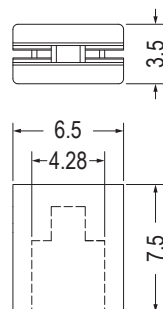


用途：可配合LED使用。

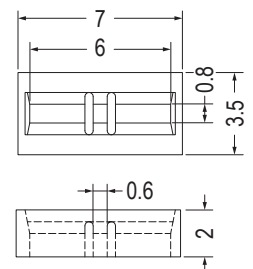
Part No.	Package
LEDMU-9	1000



- Material: Nylon 66 (UL)
- Flame Class: 94V-2/94V-0
- Color: Natural/Black
- Unit: mm



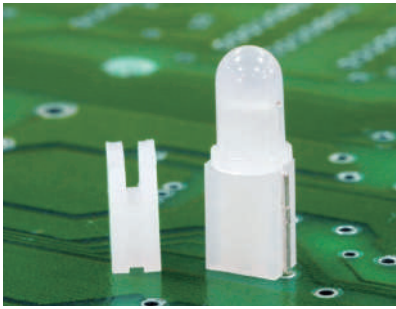
用途：保護LED固定於PC板上，使接腳不會彎曲、折斷、短路，並使LED高度一致。



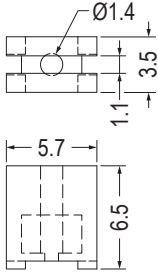
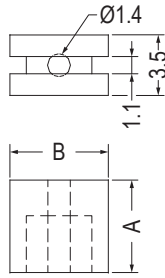
Part No.	Package
LED2X7.5	2000

Part No.	Package
LEDSC-2	1000

LED間隔柱 LED SPACER



- Material: Nylon 66 (UL)
- Flame Class: 94V-2/94V-0
- Color: Natural/Black
- Unit: mm



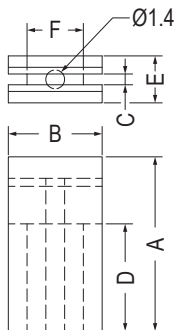
- Material: Nylon 6T (UL)
- Flame Class: 94V-0
- Color: Natural

Part No.	Package
LED3X6-1	2000

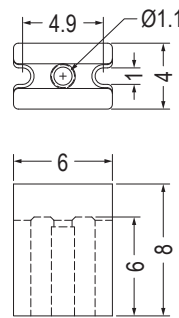
Part No.	A	B	Package
LED3X3	3.0	5.7	2000
LED3X3.5	3.5	5.7	
LED3X4	4.0	5.7	
LED3X4.5	4.5	5.7	
LED3X5	5.0	5.7	
LED3X5.5	5.5	5.7	
LED3X6	6.0	5.7	
LED3X6.5	6.5	5.7	
LED3X7	7.0	5.7	
LED3X7.5	7.5	5.7	
LED3X8	8.0	5.7	
LED3X8.5	8.5	5.7	

用途：保護雙色LED(3 PIN)固定於PC板上，使接腳不會彎曲、折斷、短路，並使LED高度一致。

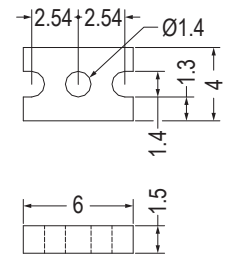
Part No.	A	B	Package
LED3X9	9.0	5.7	1000
LED3X9.5	9.5	5.7	
LED3X10	10.0	5.7	
LED3X10.5	10.5	5.7	
LED3X11	11.0	6.0	
LED3X11.5	11.5	5.7	
LED3X12	12.0	5.7	
LED3X12.5	12.5	5.7	
LED3X13	13.0	5.7	
LED3X13.6	13.5	5.7	
LED3X14	14.0	5.7	
LED3X14.5	14.5	5.7	
LED3X15	15.0	7.0	
LED3X15.5	15.5	5.7	
LED3X16	16.0	5.7	
LED3X16.5	16.5	5.7	
LED3X17	17.0	5.7	
LED3X17.5	17.5	5.7	
LED3X18	18.0	5.7	
LED3X18.5	18.5	5.7	
LED3X19	19.0	5.7	
LED3X19.5	19.5	5.7	
LED3X22	22.0	5.7	



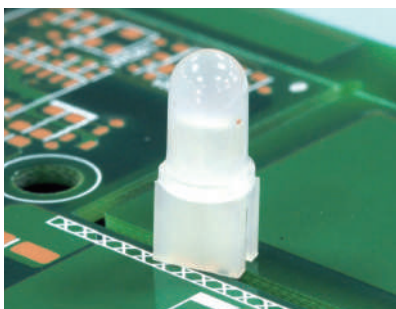
Part No.	A	B	C	D	E	F	Package
LED3X13-1	13.0	7.0	0.8	8.0	3.5	4.2	1000
LED3X16-1	16.0	6.0	0.9	11.5	3.9	4.3	



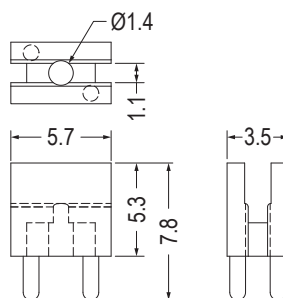
Part No.	Package
LED3X8R	2000



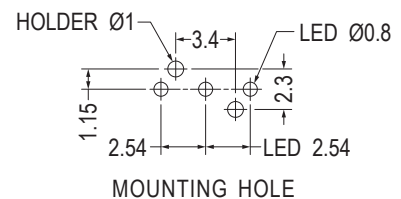
Part No.	Package
LED3X1.5R	2000



- Material: Nylon 66 (UL)
- Flame Class: 94V-2/94V-0
- Color: Natural/Black
- Unit: mm



用途：用於3 PIN LED之墊高及固定，有定位腳，不歪斜。

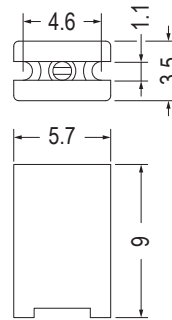


Part No.	Package
LEK3X5.3	1000

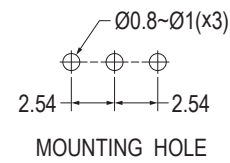
LED間隔柱 LED SPACER



- Material: Nylon 46 (UL)
- Flame Class: 94V-0
- Color: Black
- Unit: mm

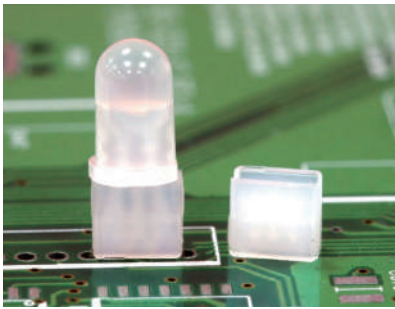


用途：保護LED固定於PC板上，使接腳不會彎曲、折斷、短路，並使LED高度一致。

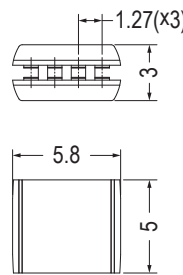


Part No.	Package
LED3A-9	1000

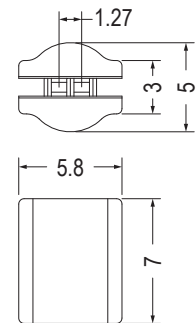
2



- Material: Nylon 66 (UL)
- Flame Class: 94V-2/94V-0
- Color: Natural/Black
- Unit: mm

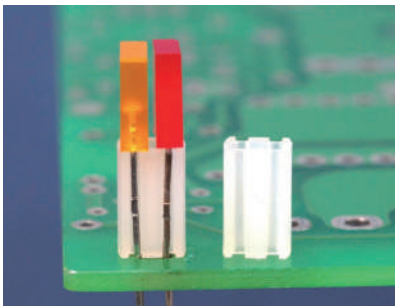


用途：保護4 PIN LED固定於PC板上，使接腳不會彎曲、折斷、短路，並使LED高度一致。

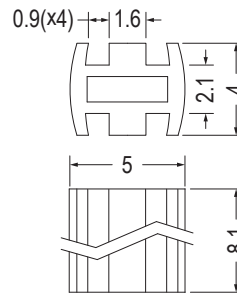


Part No.	Package
LED4AX5	2000

Part No.	Package
LED4X7	2000



- Material: Nylon 66 (UL)
- Flame Class: 94V-2/94V-0
- Color: Natural/Black
- Unit: mm



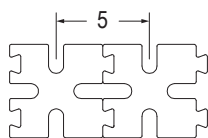
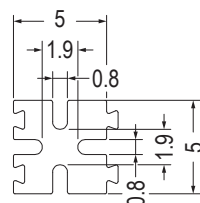
用途：使LED固定於PC板上，高度一致，不斷腳。可用於2個方形LED燈並排。

Part No.	Package
LED-208	2000

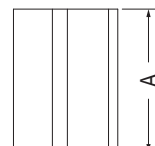


- Material: Nylon 66 (UL)
- Flame Class: 94V-2/94V-0
- Color: Natural/Black
- Unit: mm

用途：保護LED固定於PC板上，使接腳不會彎曲、折斷、短路，可連接多個LED座，並使LED高度一致。



- 產品可組合使用
- Products are combinable

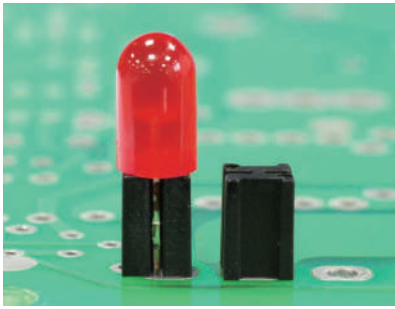


Part No.	A	Package
LEDP-3	3.0	2000
LEDP-4	4.0	
LEDP-5	5.0	
LEDP-6	6.0	
LEDP-7	7.0	
LEDP-8	8.0	
LEDP-9	9.0	
LEDP-9.5	9.5	
LEDP-10	10.0	

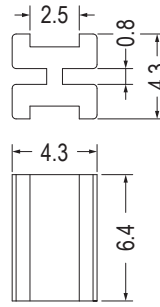
Part No.	A	Package
LEDP-11	11.0	2000
LEDP-12	12.0	
LEDP-13	13.0	
LEDP-14	14.0	
LEDP-15	15.0	
LEDP-16	16.0	
LEDP-17	17.0	
LEDP-18	18.0	
LEDP-19	19.0	
LEDP-20	20.0	

LED間隔柱 LED SPACER

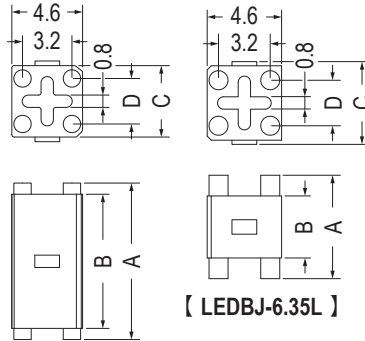
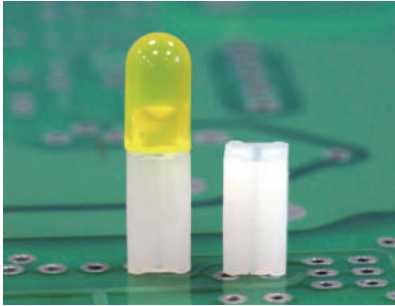
用途：使LED固定於PC板上，高度一致，不斷腳。



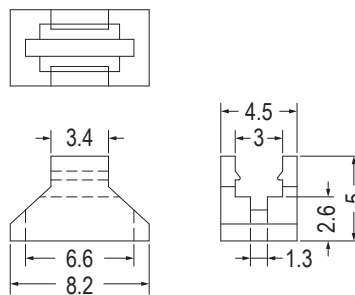
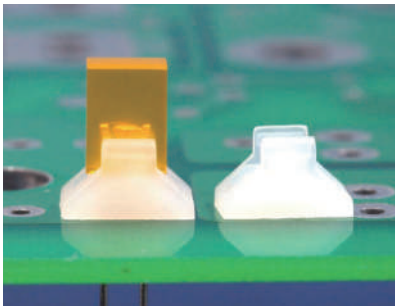
- Material: Nylon 66 (UL)
- Flame Class: 94V-2/94V-0
- Color: Natural/Black
- Unit: mm



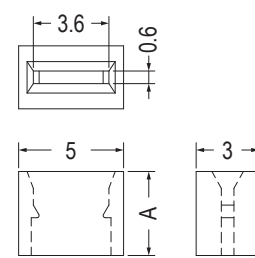
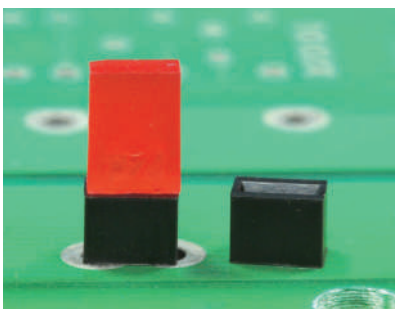
Part No.	Package
LEDP3-6.4	500



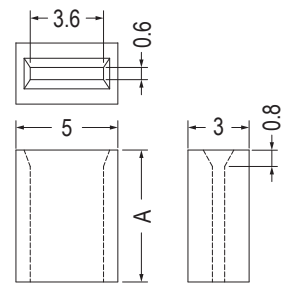
Part No.	A	B	C	D	Package
LEDBJ-3	3.0	1.0	5.1	2.8	2000
★LEDBJ-6.35L	6.35	3.81	5.1	2.8	
LEDBJ-9	9.15	8.7	4.6	2.95	1000
LEDBJ-10	10.15	8.7	4.6	2.95	



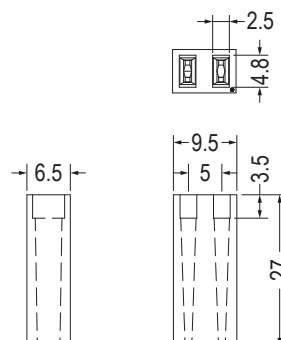
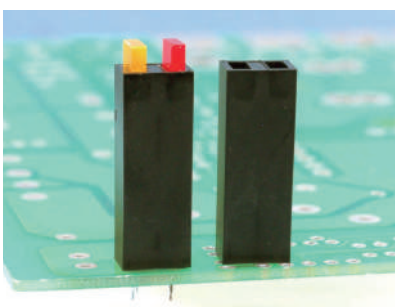
Part No.	Package
LEC-1	2000



Part No.	A	Package
LEDJ-4	4.0	2000
LEDJ-4.5	4.5	



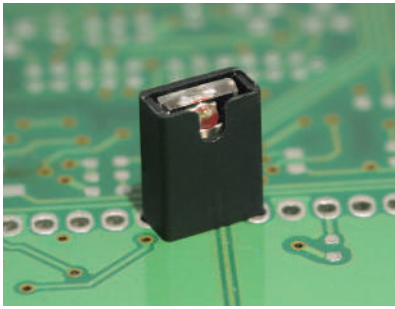
Part No.	A	Package
LEDJ-7.5	7.5	2000
LEDJ-8	8.0	
LEDJ-8.5	8.5	



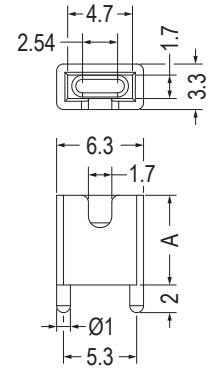
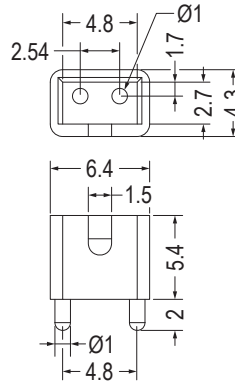
Part No.	Package
ELH2-27	500

LED間隔柱 LED SPACER

用途：使LED固定於PC板上，高度一致，不斷腳。

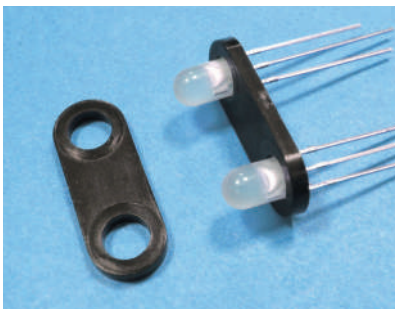


- Material: Nylon 66 (UL)
- Flame Class: 94V-2/94V-0
- Color: Black
- Unit: mm

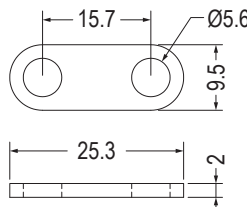


Part No.	Package
LEDUA-5.4	2000

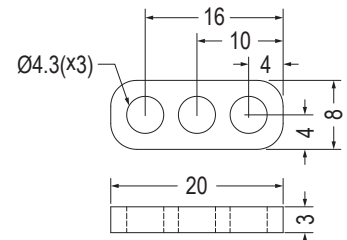
Part No.	A	Package
LEDUA-6.5	6.5	2000
LEDUA-8	8.0	



- Material: Nylon 66 (UL)
- Flame Class: 94V-2/94V-0
- Color: Natural/Black
- Unit: mm

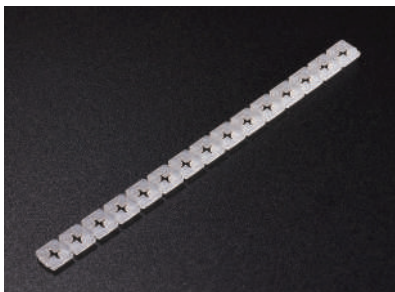


用途：可配合LED定位。



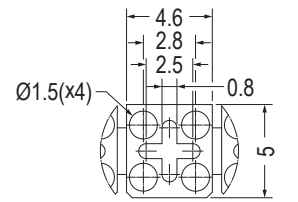
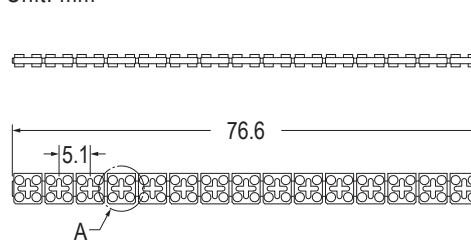
Part No.	Package
PUCP-1	1000

Part No.	Package
LEDI3-3	1000



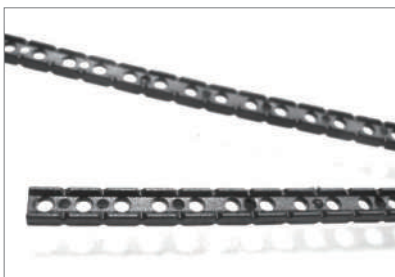
- Material: Nylon 66 (UL)
- Flame Class: 94V-2/94V-0
- Color: Natural
- Unit: mm

用途：LED墊高，可固定間隔，客戶可依需求自行裁切。

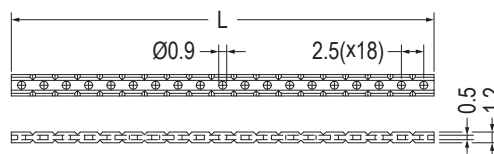


DETAIL A SCALE 6:1

Part No.	Package
LEDBJ-2-15	1000

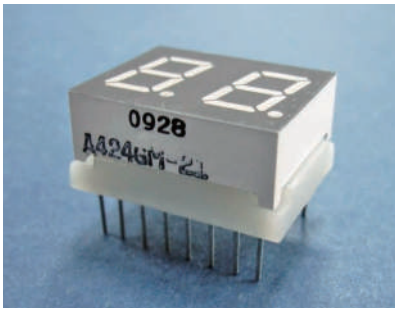


- Material: Nylon 66 (UL)
- Flame Class: 94V-2/94V-0
- Color: Black
- Unit: mm



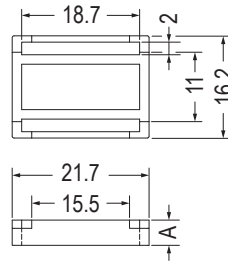
Part No.	L	Package	Part No.	L	Package	Part No.	L	Package
EM-45	47.3	1000	EM-45-6	14.9	2000	EM-45-12	29.9	1000
EM-45-2	4.9	2000	EM-45-7	17.4		EM-45-13	32.4	
EM-45-3	7.4		EM-45-8	19.9	EM-45-14	34.9		
EM-45-4	9.9		EM-45-9	22.4	EM-45-15	37.4		
EM-45-5	12.4		EM-45-10	24.9	EM-45-16	39.9		
			EM-45-11	27.4	1000	EM-45-17	42.4	

LED間隔柱 LED SPACER



- Material: Nylon 66 (UL)
- Flame Class: 94V-2/94V-0
- Color: Natural/Black
- Unit: mm

用途：可快速將8字型LED固定墊高於PC板上。



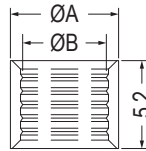
Part No.	A	Package
LEDSS-4	4.0	1000
LEDSS-5	5.0	
LEDSS-6	6.0	
LEDSS-7	7.0	
LEDSS-8	8.0	

LED套 LED SLEEVE



- Material: Nylon 66 (UL)
- Flame Class: 94V-2/94V-0
- Color: Natural/Black
- Unit: mm

用途：LC3-1T可加強LC3-1之固定，或做為墊片使用。

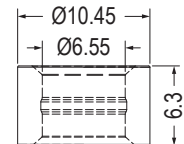
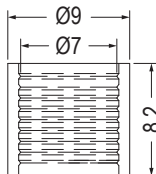


Part No.	A	B	Package
LC3-1T	6.8	5.2	2000
LC3-2T	6.4	4.95	
LC3-3T	6.4	5.0	



- Material: Nylon 66 (UL)
- Flame Class: 94V-2/94V-0
- Color: Natural/Black
- Unit: mm

用途：LC5-1T、LC5-2T可加強LC5-1之固定，或作為墊片使用。



Part No.	Package
LC5-1T	1000

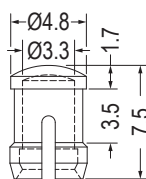
Part No.	Package
LC5-2T	1000

LED導光罩 LED LENS CAP



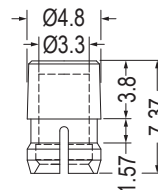
- Material: PC (UL)
- Flame Class: 94V-2/94V-0
- Color: Transparent
- Unit: mm

用途：將LED導光於機殼面板上，使光度均勻、柔和。搭配LC3-1T、LC3-2T、LC3-3T更緊密穩固。



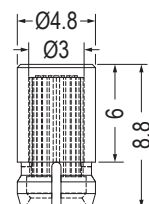
MOUNTING HOLE Ø4.4
THICKNESS 1.57~3.2

Part No.	Package
LC3-1	2000



MOUNTING HOLE Ø4.4
THICKNESS 1.2

Part No.	Package
LC3-6	2000



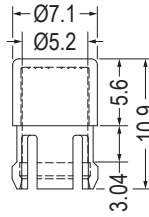
MOUNTING HOLE Ø4.4
THICKNESS 0.7

Part No.	Package
LC3-13	2000

LED 導光罩 LED LENS CAP

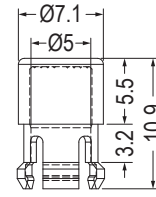
用途：置LED導光於機殼面板上，使光
度均勻、柔和。

- Material: PC (UL)
- Flame Class: 94V-2/94V-0
- Color: Transparent
- Unit: mm



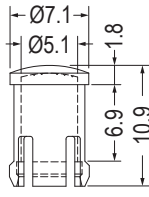
MOUNTING HOLE $\varnothing 6.35$
THICKNESS 3.0

Part No.	Package
LC5-2	1000



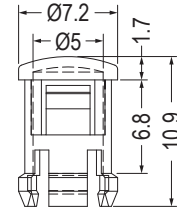
MOUNTING HOLE $\varnothing 6.4$
THICKNESS 3.0

Part No.	Package
LC5-9	1000



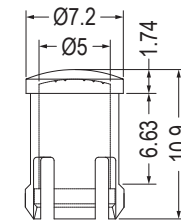
MOUNTING HOLE $\varnothing 6.4$
THICKNESS 0.8~6.35

Part No.	Package
LC5-1	1000



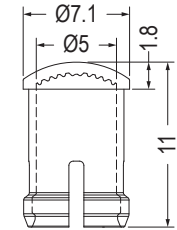
MOUNTING HOLE $\varnothing 6.4$
THICKNESS 0.8

Part No.	Package
LC5-4	1000



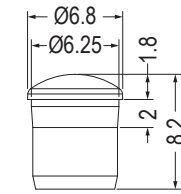
MOUNTING HOLE $\varnothing 6.4 \sim \varnothing 6.45$
THICKNESS 0.8~6.35

Part No.	Package
LC5-5	2000



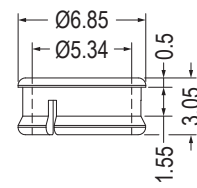
MOUNTING HOLE $\varnothing 6.4 \sim \varnothing 6.45$
THICKNESS 0.8~6.35

Part No.	Package
LC5-6	1000



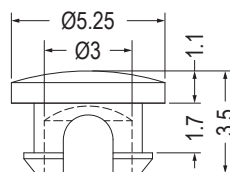
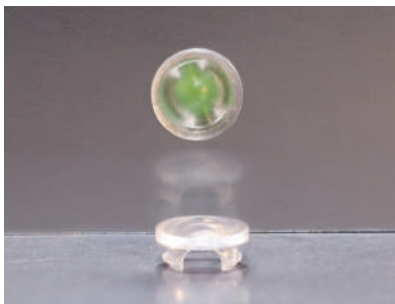
MOUNTING HOLE $\varnothing 6.3$

Part No.	Package
LEM-149	1000



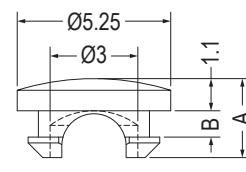
MOUNTING HOLE $\varnothing 6.35$

Part No.	Package
LC5-3	1000



MOUNTING HOLE $\varnothing 3.7 \sim \varnothing 3.8$
THICKNESS 0.8~1.6

Part No.	Package
LC3-8	1000

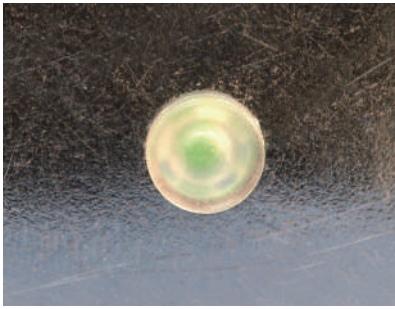


MOUNTING HOLE $\varnothing 4.0$
THICKNESS: T

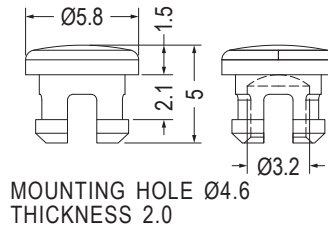
Part No.	A	B	T	Package
LC3-14	2.7	0.9	0.8	1000
LC3-14L	2.9	1.1	1.0	

LED 導光罩 LED LENS CAP

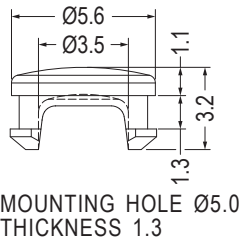
用途：置LED導光於機殼面板上，使光度均勻、柔和。



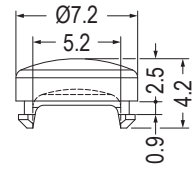
- Material: PC (UL)
- Flame Class: 94V-2/94V-0
- Color: Transparent
- Unit: mm



Part No.	Package
LEM-123	1000



Part No.	Package
LC5-8	1000

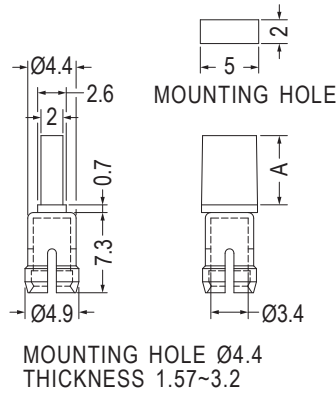


MOUNTING HOLE Ø6.35
THICKNESS 0.8

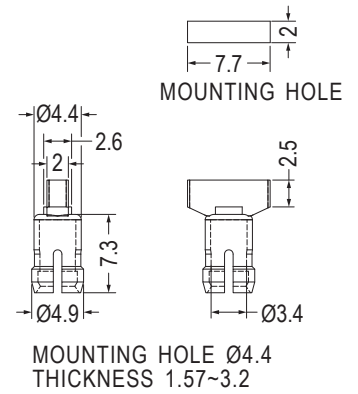
Part No.	Package
LC5-7	1000



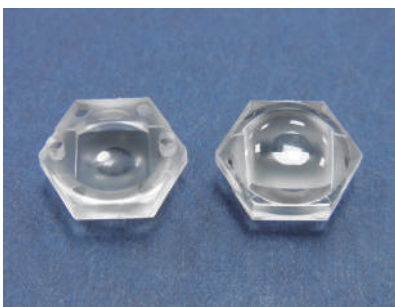
- Material: PC (UL)
- Flame Class: 94V-2/94V-0
- Color: Transparent
- Unit: mm



Part No.	A	Package
LC3-2	6.3	1000
LC3-7	2.5	

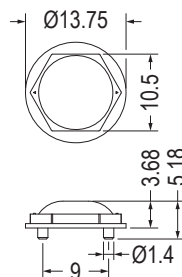


Part No.	Package
LC3-12	1000



- Material: PC (UL)
- Flame Class: 94V-2/94V-0
- Color: Transparent
- Unit: mm

用途：使用於LED之導光。



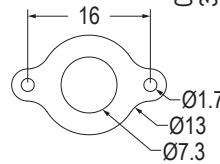
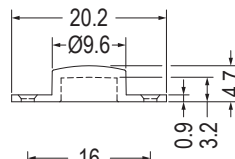
Part No.	Package
LEMA-1	1000

紅外線燈罩 INFRARED RAY LAMPSHADE

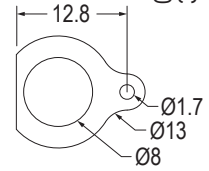
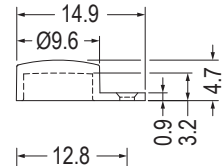


- Material: PC (UL)
- Flame Class: 94V-2/94V-0
- Color: Purple
- Unit: mm

用途：固定於LED TV機殼上，做為紅外線遙控接收器導光面板，過濾無效光源，動作穩定。



Part No.	Package
IRCV-1	1000



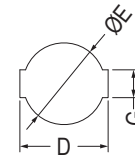
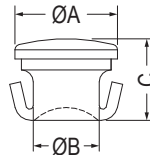
Part No.	Package
IRCV-2	1000

LED導光柱 LIGHT PIPE



- Material: PC (UL)
- Flame Class: 94V-2/94V-0
- Color: Transparent
- Unit: mm

用途：置LED導光於機殼面板上，使光度均勻、柔和。



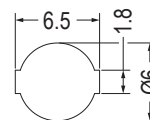
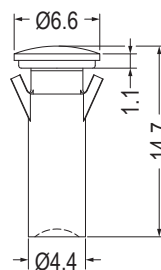
MOUNTING HOLE THICKNESS: T

Part No.	A	B	C	D	E	G	T	Package
LEM-7	5.6	3.6	4.5	5.4	5.0	1.7	1.2	1000
LEM-7S	5.6	3.0	4.5	5.4	5.0	1.7	1.2	
LEM-29	4.8	3.2	4.5	5.0	4.3	1.8	1.2	
LEM-161	6.9	4.5	3.8	6.75	6.3	2.1	0.7	



- Material: PC (UL)
- Flame Class: 94V-2/94V-0
- Color: Transparent
- Unit: mm

用途：可將LED導光到機器面板。



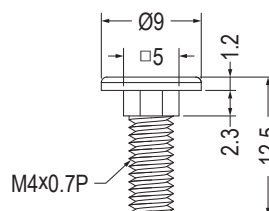
MOUNTING HOLE THICKNESS 1.0

Part No.	Package
LEM-54	1000



- Material: PC (UL)
- Flame Class: 94V-2/94V-0
- Color: Transparent
- Unit: mm

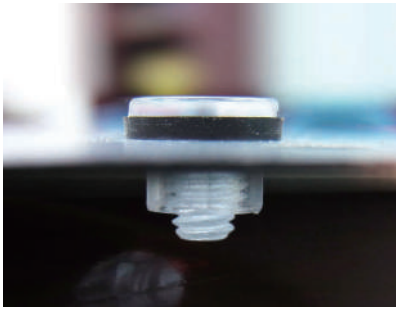
用途：置LED導光於機殼面板上，使光度均勻、柔和。



MOUNTING HOLE

Part No.	Package
LEMA-5	1000

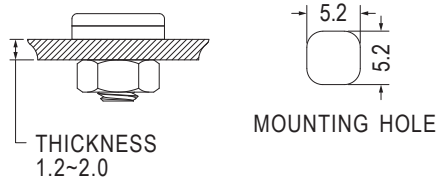
LED 導光柱 LIGHT PIPE



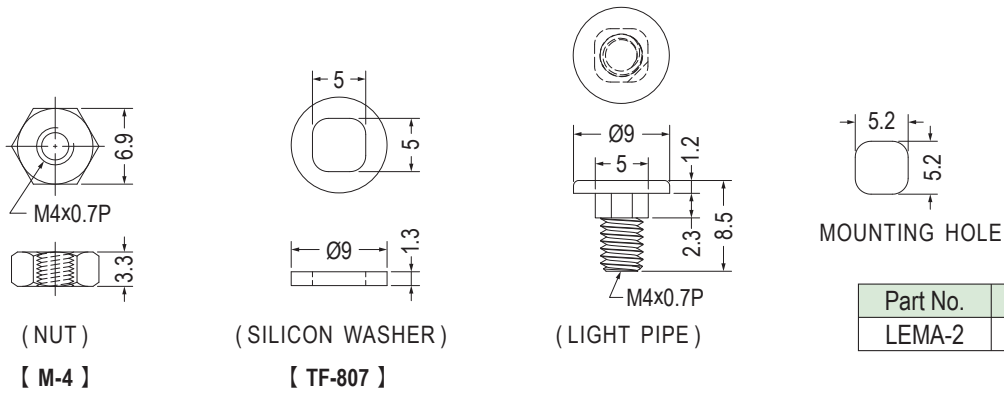
- Material: PC (UL)
- Flame Class: 94V-2
- Color: Transparent
- Unit: mm

用途：配合M4螺帽，使LED導光於面板上，使光線均勻、柔和、防水，方便使用。

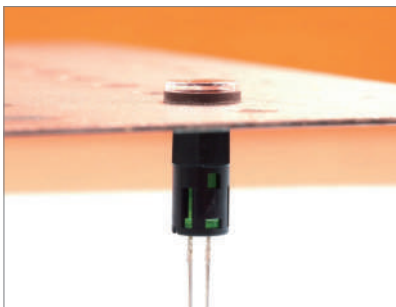
✓ 通過IP68防水測試



Part No.	Part No.	Package
LEMA-2F	LEMA-2	1000
	TF-807	
	M-4	
子母包：內容物包含右方零件 上述零件亦可單獨選購		



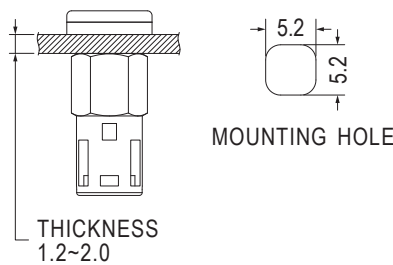
Part No.	Package
LEMA-2	2000



- Material: Nylon 66 (UL)
- Flame Class: 94V-2/94V-0
- Color: Natural/Black
- Unit: mm
- Patented (專利品)

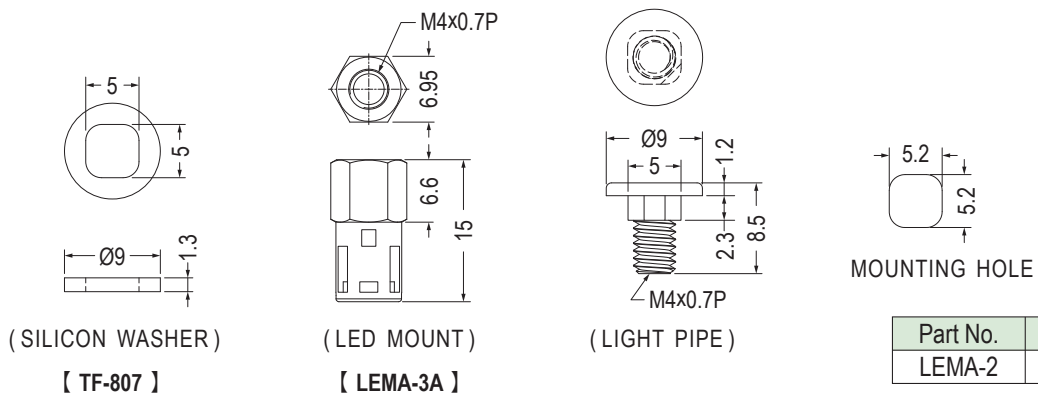
用途：可快速將Ø5 mm LED固定於機器面板上，防水性佳。

✓ 通過IP68防水測試



- 適用Ø5 LED帽緣款
- 適用於2 PIN、3 PIN

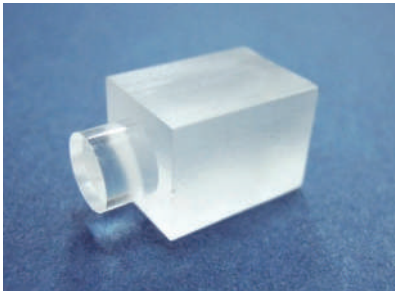
Part No.	Part No.	Package
LEMA-3F	LEMA-2	1000
	LEMA-3A	
	TF-807	
子母包：內容物包含右方零件 上述零件亦可單獨選購		



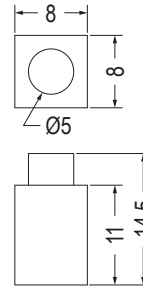
Part No.	Package
LEMA-2	2000

LED 導光柱 LIGHT PIPE

用途：置LED導光於機殼面板上，使光度均勻、柔和。



- Material: PC (UL)
- Flame Class: 94V-2/94V-0
- Color: Transparent
- Unit: mm



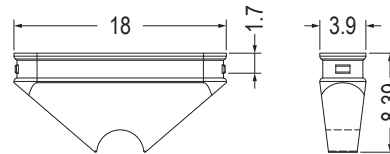
Part No.	Package
LEM-55	2000

2



- Material: PC (UL)
- Flame Class: 94V-2/94V-0
- Color: Transparent
- Unit: mm

用途：用於LED導光柱。

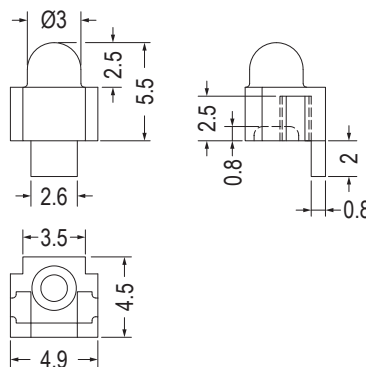


Part No.	Package
LEM-30	1000

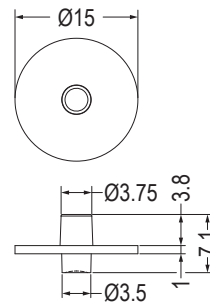
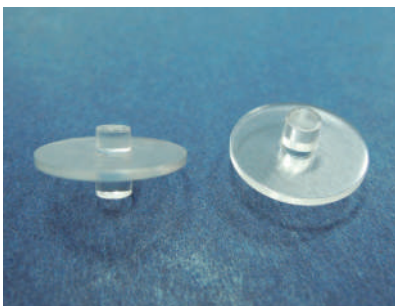


- Material: PC (UL)
- Flame Class: 94V-2/94V-0
- Color: Transparent
- Unit: mm

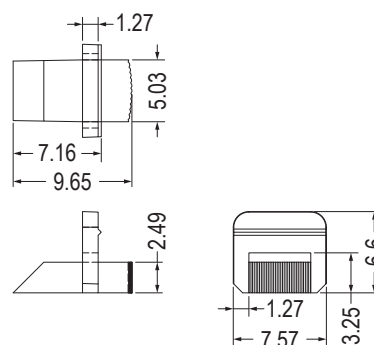
用途：置LED導光於機殼面板上，使光度均勻、柔和。



Part No.	Package
LEM-244	2000



Part No.	Package
LEM-79	1000



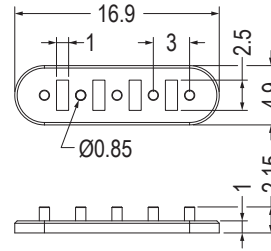
Part No.	Package
LEM-96	1000

LED導光柱 LIGHT PIPE

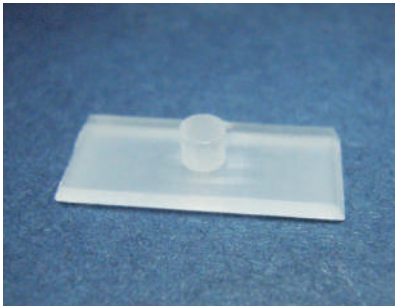
用途：置LED導光於機殼面板上，使光度均勻、柔和。



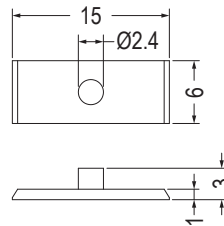
- Material: PC (UL)
- Flame Class: 94V-2/94V-0
- Color: Transparent
- Unit: mm



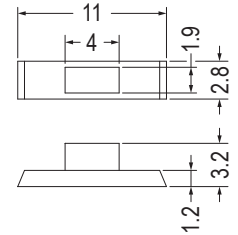
Part No.	Package
LEM-151	500



- Material: PMMA
- Color: Transparent
- Unit: mm



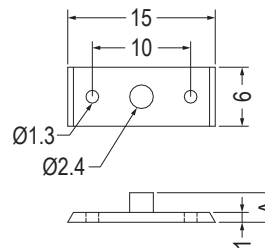
Part No.	Package
LEM-2	1000



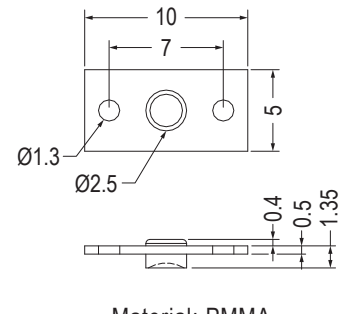
Part No.	Package
LEM-1	1000



- Material: PC (UL)
- Flame Class: 94V-2/94V-0
- Color: Transparent
- Unit: mm

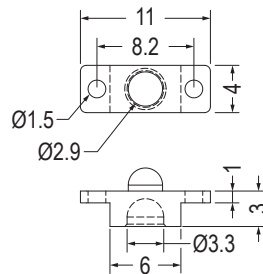


Part No.	A	Package
LEM-9	3.0	1000
LEM-62	3.7	

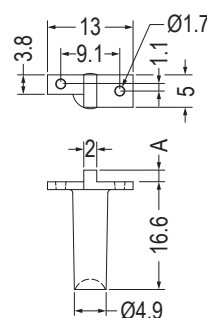


- Material: PMMA
- Color: Transparent

Part No.	Package
LEM-16	1000



Part No.	Package
LEM-36	1000

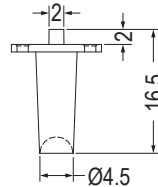
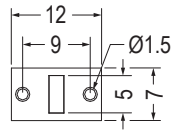


Part No.	A	Package
LEM-3	1.8	1000
LEM-3L	2.2	

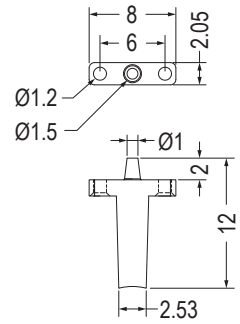
LED 導光柱 LIGHT PIPE

用途：置LED導光於機殼面板上，使光度均勻、柔和。

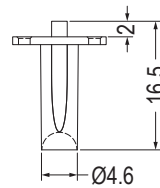
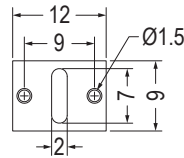
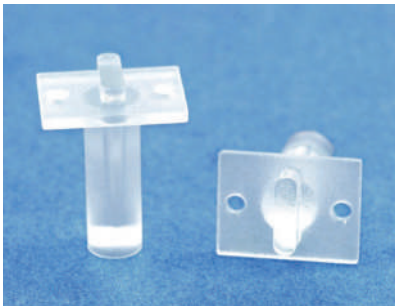
- Material: PC (UL)
- Flame Class: 94V-2/94V-0
- Color: Transparent
- Unit: mm



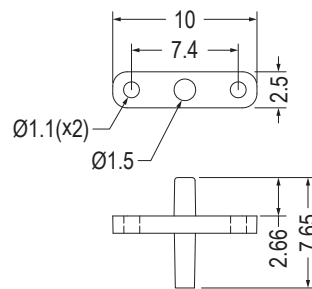
Part No.	Package
LEM-12	1000



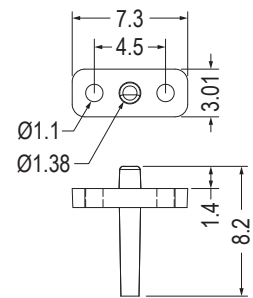
Part No.	Package
LEM-131	500



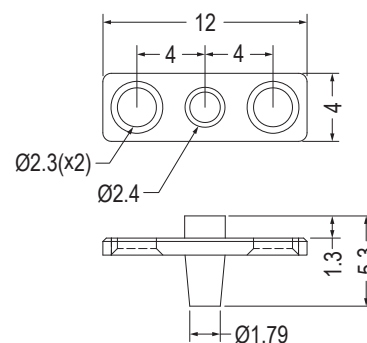
Part No.	Package
LEM-210	1000



Part No.	Package
LEM-63	1000



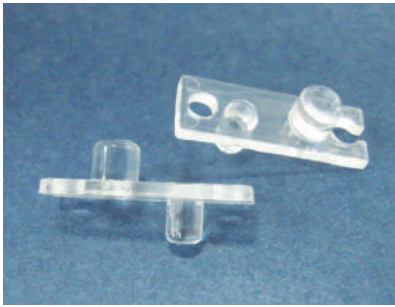
Part No.	Package
LEM-73	1000



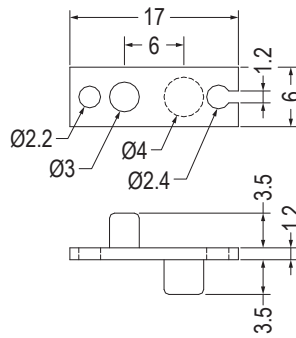
Part No.	Package
LEM-108	1000

LED 導光柱 LIGHT PIPE

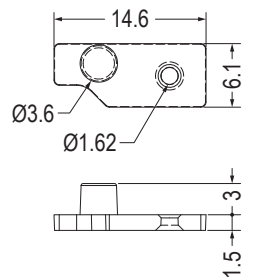
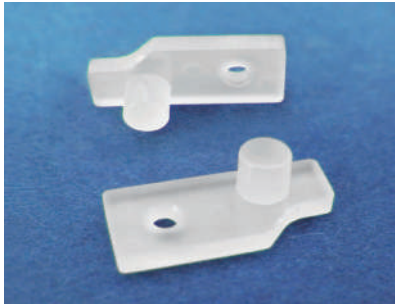
用途：置LED導光於機殼面板上，使光度均勻、柔和。



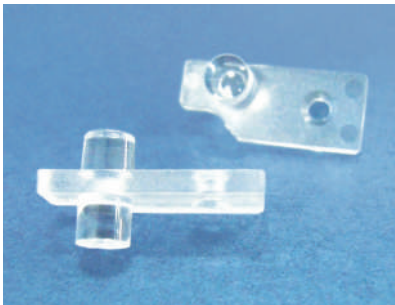
- Material: PMMA
- Color: Transparent
- Unit: mm



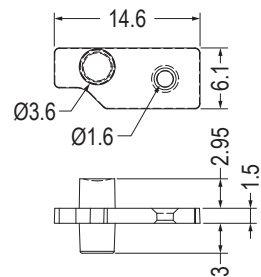
Part No.	Package
LEM-6	1000



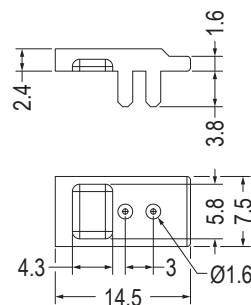
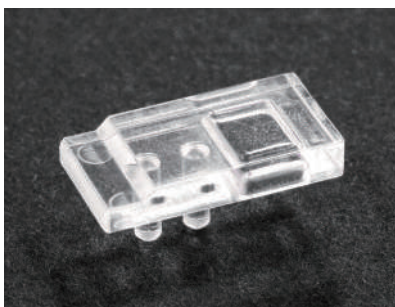
Part No.	Package
LEM-122	500



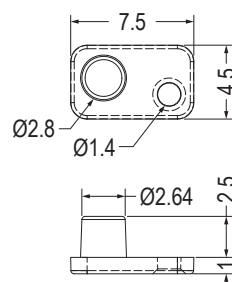
- Material: PC (UL)
- Flame Class: 94V-2/94V-0
- Color: Transparent
- Unit: mm



Part No.	Package
LEM-40	500



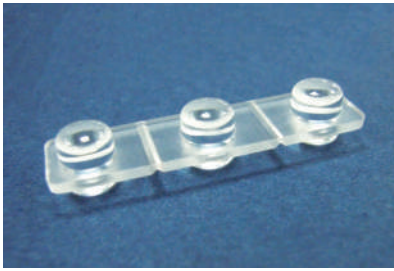
Part No.	Package
LEM-205	1000



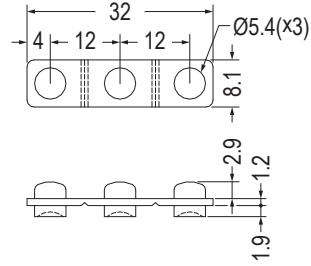
Part No.	Package
LEM-137	2000

LED 導光柱 LIGHT PIPE

用途：置LED導光於機殼面板上，使光度均勻、柔和。



- Material: PMMA
- Color: Transparent
- Unit: mm

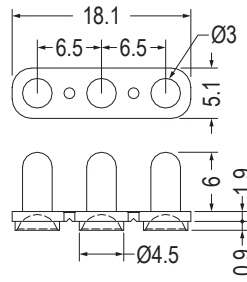


Part No.	Package
LEM-4	500

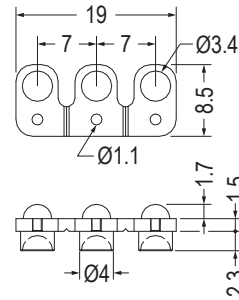
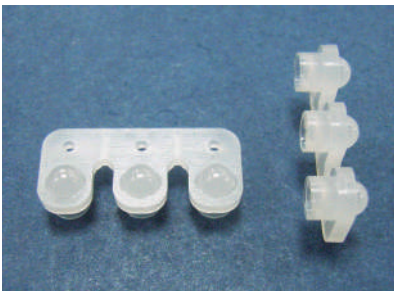
2



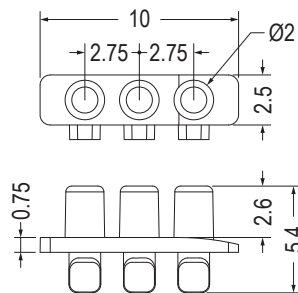
- Material: PC (UL)
- Flame Class: 94V-2/94V-0
- Color: Transparent
- Unit: mm



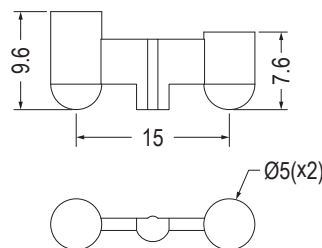
Part No.	Package
LEM-11	1000



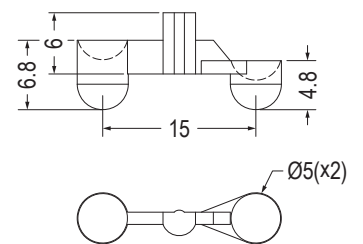
Part No.	Package
LEM-18	1000



Part No.	Package
LEM-92	1000



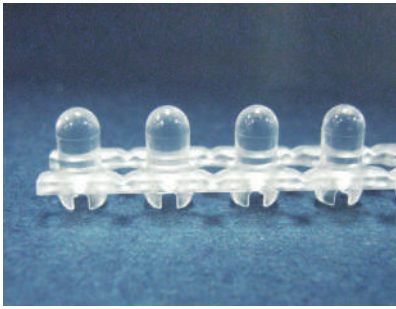
Part No.	Package
LEM-212	1000



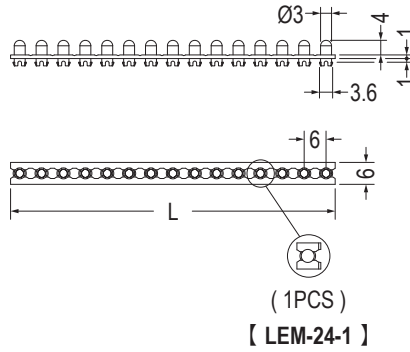
Part No.	Package
LEM-213	1000

LED 導光柱 LIGHT PIPE

用途：LED 墊高，可固定間隔，客戶可依需求自行裁切。



- Material: PC (UL)
- Flame Class: 94V-2/94V-0
- Color: Transparent
- Unit: mm

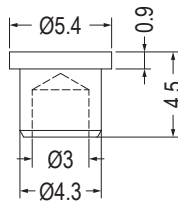


Part No.	L	Package
LEM-24	89.0	500
LEM-24-1	5.5	
LEM-24-2	11.5	
LEM-24-3	17.5	
LEM-24-4	23.5	
LEM-24-11	65.5	
LEM-24-12	71.5	
LEM-24-14	83.5	

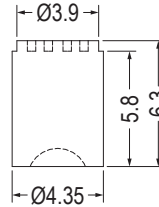


- Material: PC (UL)
- Flame Class: 94V-2/94V-0
- Color: Transparent
- Unit: mm

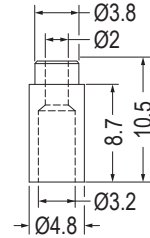
用途：用於LED 導光柱。



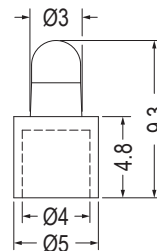
Part No.	Package
LEM-33	1000



Part No.	Package
LEM-20	1000



Part No.	Package
LEM-52	1000



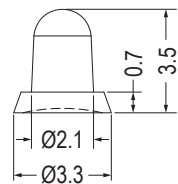
MOUNTING HOLE Ø3.0

Part No.	Package
LEM-103	1000



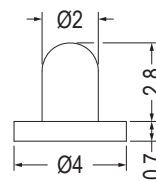
- Material: PC (UL)
- Flame Class: 94V-2/94V-0
- Color: Transparent
- Unit: mm

用途：置LED 導光於機殼面板上，使光度均勻、柔和。

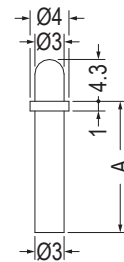


MOUNTING HOLE Ø2.0

Part No.	Package
★LEM-301	1000



Part No.	Package
LEM-114	1000



MOUNTING HOLE Ø3.0

Part No.	A	Package
LEM-5	13.5	1000
LEM-5-57	57.0	500
LEM-93	8.7	1000



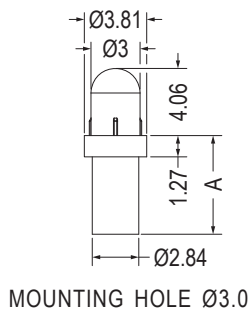
LED 導光柱 LIGHT PIPE

用途：置LED導光於機殼面板上，使光度均勻、柔和。

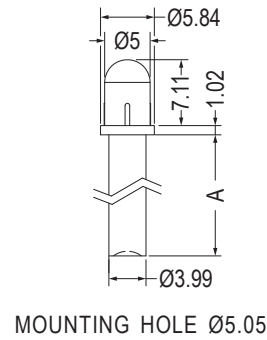


- Material: PC (UL)
- Flame Class: 94V-2/94V-0
- Color: Transparent
- Unit: mm

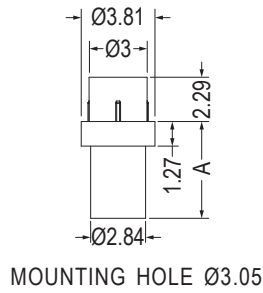
2



Part No.	A	Package
EMP1-3.2	3.2	2000
EMP1-6	6.0	
EMP1-6.4	6.4	
EMP1-8.9	8.9	
EMP1-9.5	9.5	1000
EMP1-11.7	11.68	
EMP1-12.7	12.7	
EMP1-15.9	15.9	
EMP1-19	19.0	
EMP1-21	21.0	

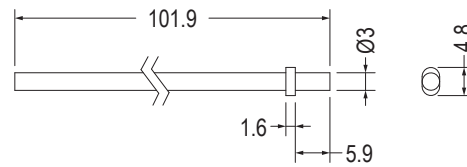


Part No.	A	Package
EMP5-3.2	3.2	1000
EMP5-6.4	6.4	2000
EMP5-8.9	8.9	1000
EMP5-9.5	9.5	2000
EMP5-12.7	12.7	1000
EMP5-15.9	15.9	
EMP5-19	19.0	
EMP5-25.4	25.4	
EMP5-29.3	29.3	
EMP5-31.8	31.8	
EMP5-38.1	38.1	



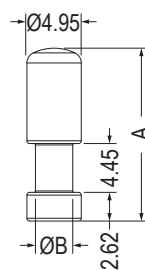
Part No.	A	Package
EMP1-5-F	5.0	2000
EMP1-6.4-F	6.4	
EMP1-7-F	7.0	
EMP1-8-F	8.0	
EMP1-8.9-F	8.9	1000
EMP1-9.5-F	9.5	
EMP1-10-F	10.0	
EMP1-12.7-F	12.7	
EMP1-15.9-F	15.9	
EMP1-19-F	19.0	
EMP1-21-F	21.1	

Part No.	A	Package
EMP1-5-F	5.0	2000
EMP1-6.4-F	6.4	
EMP1-7-F	7.0	
EMP1-8-F	8.0	
EMP1-8.9-F	8.9	1000
EMP1-9.5-F	9.5	
EMP1-10-F	10.0	
EMP1-12.7-F	12.7	
EMP1-15.9-F	15.9	
EMP1-19-F	19.0	
EMP1-21-F	21.1	



NEW

Part No.	Package
LEM-299	1000



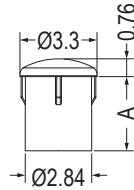
Part No.	A	B	Package
LEM-13	14.1	3.53	1000
LEM-23	15.75	3.4	

LED 導光柱 LIGHT PIPE

用途：置LED導光於機殼面板上，使光度均勻、柔和。



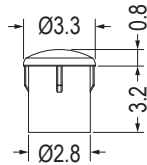
- Material: PC (UL)
- Flame Class: 94V-2/94V-0
- Color: Transparent
- Unit: mm



MOUNTING HOLE: ØG

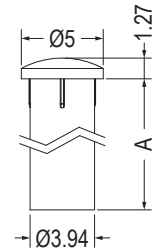
Part No.	A	G	Package
EMP2-2.5	2.5	3.0	2000
EMP2-3	3.0	3.0	
EMP2-3.2	3.2	3.0	
EMP2-4	4.0	3.05	
EMP2-4.8	4.8	3.0	
EMP2-5	5.0	3.0	
EMP2-5.5	5.5	3.0	
EMP2-6	6.0	3.0	
EMP2-6.4	6.4	3.0	
EMP2-7	7.0	3.0	
EMP2-8	8.0	3.05	
EMP2-8.9	8.9	3.0	
EMP2-9.5	9.5	3.0	
EMP2-10	10.0	3.0	
EMP2-12.7	12.7	3.0	
EMP2-15.9	15.9	3.0	
EMP2-19	19.0	3.0	
EMP2-22.2	22.2	3.0	
EMP2-24	24.0	3.0	
EMP2-25.4	25.4	3.05	
EMP2-30.5	30.5	3.0	

Part No.	A	G	Package
EMP2-6.4	6.4	3.0	2000
EMP2-7	7.0	3.0	
EMP2-8	8.0	3.05	
EMP2-8.9	8.9	3.0	
EMP2-9.5	9.5	3.0	
EMP2-10	10.0	3.0	
EMP2-12.7	12.7	3.0	
EMP2-15.9	15.9	3.0	
EMP2-19	19.0	3.0	
EMP2-22.2	22.2	3.0	
EMP2-24	24.0	3.0	
EMP2-25.4	25.4	3.05	
EMP2-30.5	30.5	3.0	



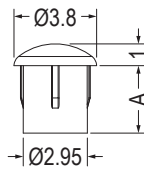
MOUNTING HOLE Ø3.0

Part No.	Package
LEM-144	2000



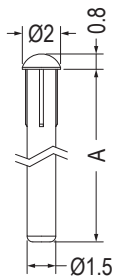
MOUNTING HOLE Ø4.0

Part No.	A	Package
★EMP5-2-2.5	2.5	2000
EMP5-2-3.2	3.2	1000
EMP5-2-6.4	6.4	2000
EMP5-2-8.9	8.9	1000
EMP5-2-9.5	9.5	
EMP5-2-12.7	12.7	
EMP5-2-15.9	15.9	
EMP5-2-19	19.0	
EMP5-2-22	22.0	
EMP5-2-25.4	25.4	
EMP5-2-31.8	31.8	
EMP5-2-38.1	38.1	



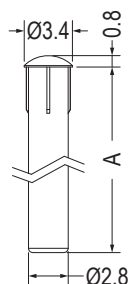
MOUNTING HOLE Ø3.1
THICKNESS >1.4

Part No.	A	Package
EMP3-2.5	2.5	1000
EMP3-3.1	3.1	
EMP3-4.5	4.5	



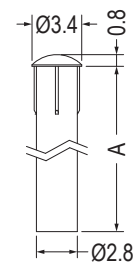
MOUNTING HOLE Ø1.55

Part No.	A	Package
LEM-132	20.0	2000
LEM-141	21.8	
LEM-193	29.2	
LEM-199	10.16	



MOUNTING HOLE Ø3.0

Part No.	A	Package
LEM-87-15	15.0	2000
LEM-87	18.0	



MOUNTING HOLE Ø3.0

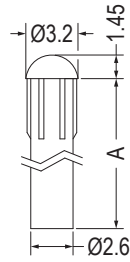
Part No.	A	Package
LEM-235-7.2	7.2	2000
LEM-235	12.2	

LED 導光柱 LIGHT PIPE

用途：置LED導光於機殼面板上，使光度均勻、柔和。

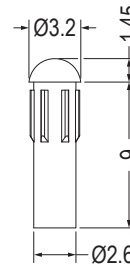


- Material: PC (UL)
- Flame Class: 94V-2/94V-0
- Color: Transparent
- Unit: mm



MOUNTING HOLE Ø3.0

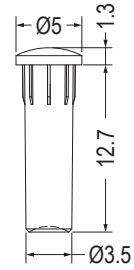
Part No.	A	Package
LEM-67	6.0	2000
LEM-67-13	13.0	
LEM-67-17.5	17.5	
LEM-67-20.5	20.5	1000
LEM-67-27.5	27.5	



MOUNTING HOLE Ø3.0

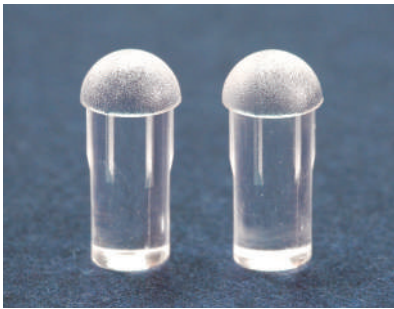


Part No.	Package
LEM-307-9	2000



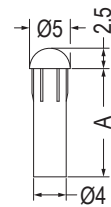
MOUNTING HOLE Ø3.8

Part No.	Package
LEM-156	1000



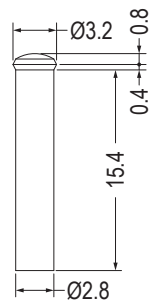
MOUNTING HOLE Ø4.4

Part No.	Package
LEM-262M	1000



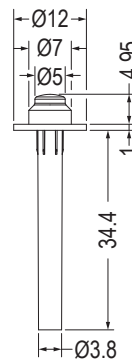
MOUNTING HOLE: ØG

Part No.	A	G	Package
LEM-53	21.55	4.3	2000
LEM-53-7	7.0	4.2	
LEM-53-8.5	8.5	4.2	
LEM-53-16.5	16.5	4.2	
LEM-53-19	19.0	4.2	1000
LEM-53-24	24.0	4.2	
LEM-191	43.5	4.3	
LEM-191-36	36.0	4.3	
LEM-191-37.5	37.5	4.3	
LEM-198	30.0	4.3	
LEM-202	54.0	4.3	



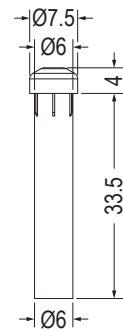
MOUNTING HOLE Ø2.8

Part No.	Package
LEM-248	1000



MOUNTING HOLE Ø4.3

Part No.	Package
LEM-266	500

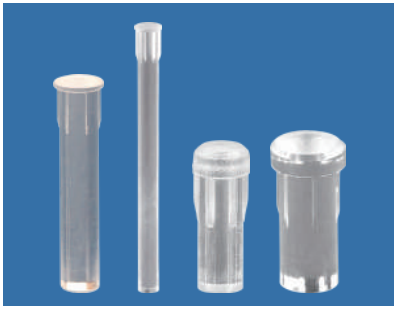


MOUNTING HOLE Ø6.5

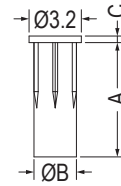
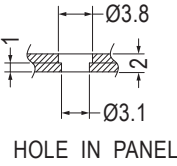
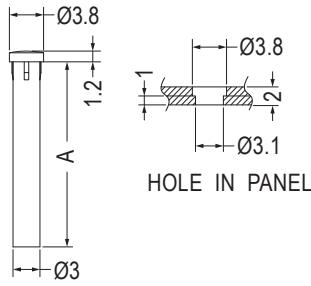
Part No.	Package
LEM-233	500

LED 導光柱 LIGHT PIPE

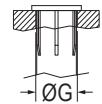
用途：置LED導光於機殼面板上，使光度均勻、柔和。



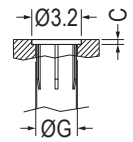
- Material: PC (UL)
- Flame Class: 94V-2/94V-0
- Color: Transparent
- Unit: mm



MOUNTING HOLE: ØG



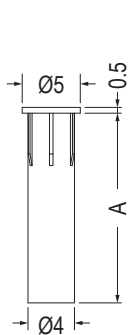
HOLE IN PANEL



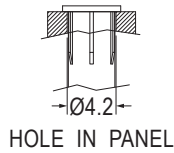
HOLE IN PANEL

Part No.	A	Package
LEM-90	23.6	2000
LEM-91	8.0	
LEM-192	25.85	

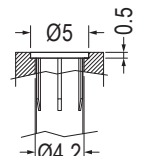
Part No.	A	B	C	G	Package
LEM-135	7.0	2.6	0.4	3.0	2000
LEM-135-4.8	4.8	2.6	0.4	3.0	
LEM-167	10.05	2.5	0.45	2.8	
LEM-167-11	11.0	2.5	0.45	2.8	
LEM-167-15	15.0	2.5	0.45	2.8	
★LEM-167-35	35.0	2.5	0.45	2.8	1000
LEM-189	25.0	2.6	0.4	3.0	



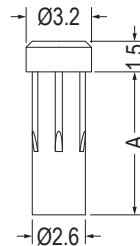
MOUNTING HOLE Ø4.2



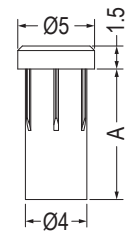
HOLE IN PANEL



HOLE IN PANEL



PLASTIC MOUNTING HOLE Ø2.8
METAL MOUNTING HOLE Ø3.0



MOUNTING HOLE Ø4.3

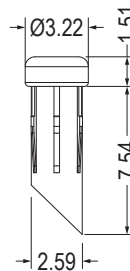
Part No.	A	Package
LEM-97	21.0	1000
LEM-97S	8.5	
LEM-98	28.0	

Part No.	A	Package
LEM-88	7.0	2000
LEM-88-5	5.0	

Part No.	A	Package
LEM-196	4.0	1000
LEM-197	8.5	



- Material: PC
- Color: Transparent
- Unit: mm

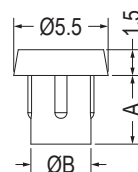


MOUNTING HOLE Ø2.7~Ø2.8

Part No.	Package
LEM-208	2000



- Material: PC (UL)
- Flame Class: 94V-2/94V-0
- Color: Transparent
- Unit: mm



MOUNTING HOLE Ø3.5

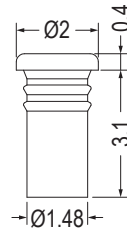
Part No.	A	B	Package
LEM-150	4.0	3.5	2000
LEM-150-3	3.0	3.5	
LEM-150-3.5	3.5	3.5	
LEM-240	4.0	3.45	

LED 導光柱 LIGHT PIPE

用途：置LED導光於機殼面板上，使光度均勻、柔和。



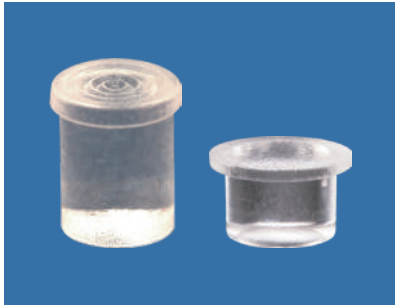
- Material: PC (UL)
- Flame Class: 94V-2/94V-0
- Color: Transparent
- Unit: mm



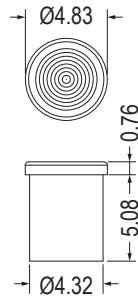
MOUNTING HOLE Ø1.5

Part No.	Package
LEM-133	2000

2



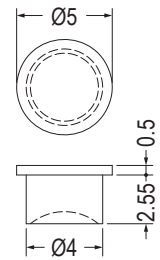
- Material: PMMA
- Color: Transparent
- Unit: mm



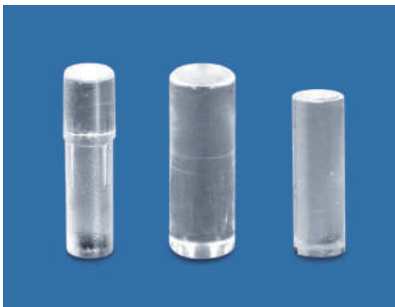
MOUNTING HOLE Ø4.4

Part No.	Package
LEM-223	2000

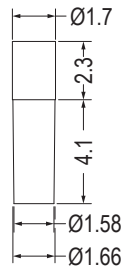
- Material: PC (UL)
- Flame Class: 94V-2/94V-0
- Color: Transparent
- Unit: mm



Part No.	Package
LEM-298	2000



- Material: PC (UL)
- Flame Class: 94V-2/94V-0
- Color: Transparent
- Unit: mm

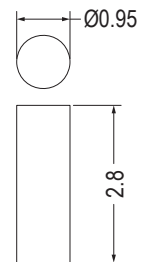


MOUNTING HOLE Ø1.6

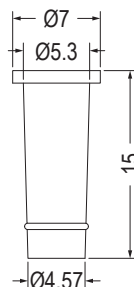
Part No.	Package
LEM-185	2000



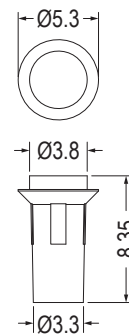
Part No.	Package
LEM-200	2000



Part No.	Package
LEM-261	2000



Part No.	Package
LEM-253	1000



MOUNTING HOLE Ø3.5

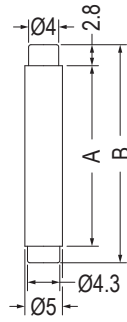
Part No.	Package
LEM-221	1000

LED 導光柱 LIGHT PIPE

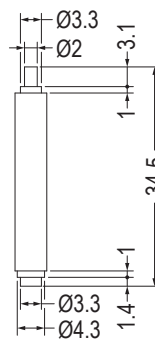
用途：置LED導光於機殼面板上，使光度均勻、柔和。



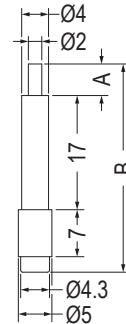
- Material: PC (UL)
- Flame Class: 94V-2/94V-0
- Color: Transparent
- Unit: mm



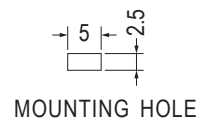
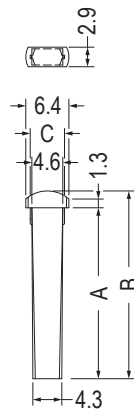
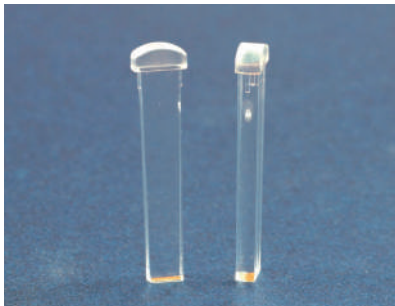
Part No.	A	B	Package
LEM-70	24.0	29.0	1000
LEM-95	29.0	34.0	
LEM-107	20.5	25.5	



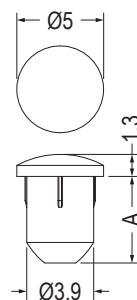
Part No.	Package
LEM-110	1000



Part No.	A	B	Package
LEM-99	4.7	31.0	1000
LEM-115	1.7	28.0	



Part No.	A	B	C	Package
LEM-188	25.4	27.9	5.1	1000
★LEM-188-13.5	13.5	16.0	5.15	
LEM-188-17	17.0	19.5	5.15	

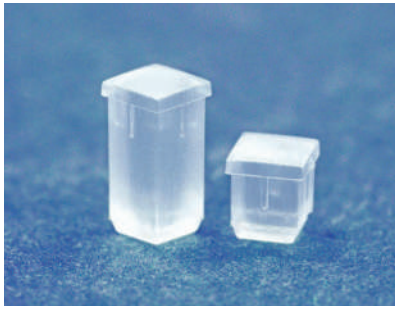


MOUNTING HOLE Ø3.96

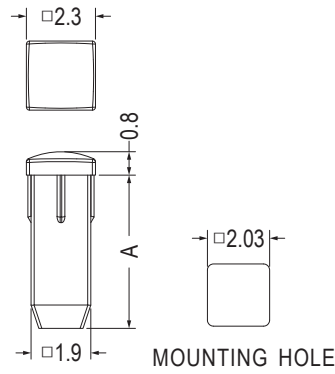
Part No.	A	Package
LEM4W-3.2	3.2	2000
LEM4W-4	4.0	
LEM4W-5	5.0	
LEM4W-6	6.0	
LEM4W-8	8.0	
LEM4W-10	10.0	
LEM4W-12.7	12.7	

LED 導光柱 LIGHT PIPE

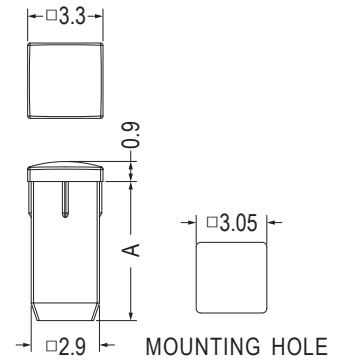
用途：置LED導光於機殼面板上，使光度均勻、柔和。



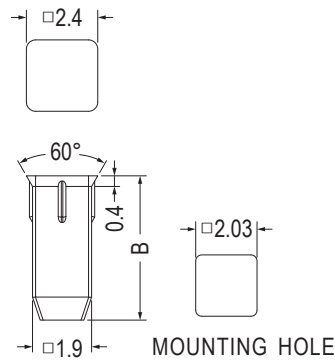
- Material: PC (UL)
- Flame Class: 94V-2/94V-0
- Color: Transparent
- Unit: mm



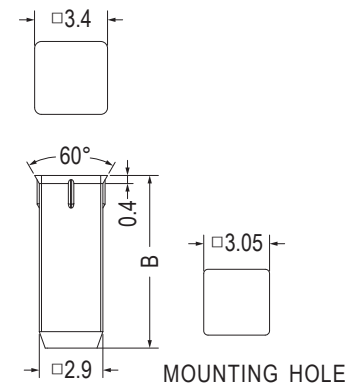
Part No.	A	Package
LEM1-3	3.0	2000
LEM1-4.8	4.8	
LEM1-5	5.0	
LEM1-9	9.0	
LEM1-12.7	12.7	



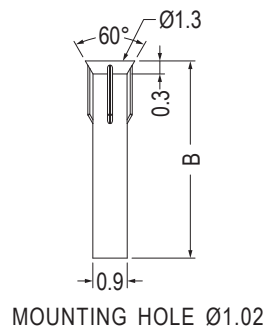
Part No.	A	Package
LEM2-2.5	2.5	2000
LEM2-3	3.0	
LEM2-5	5.0	
LEM2-6	6.0	
LEM2-7	7.0	



Part No.	B	Package
LEMD1-2.5	2.5	2000
LEMD1-3	3.0	
LEMD1-3.2	3.2	
LEMD1-4.8	4.8	
LEMD1-10	10.0	



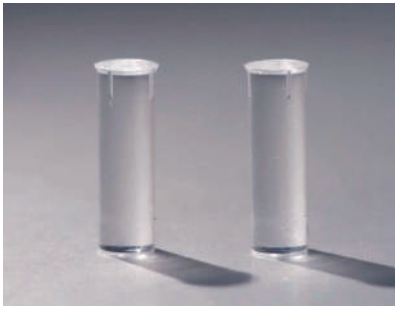
Part No.	B	Package
LEM2D-3	3.0	2000
LEM2D-8	8.0	
LEM2D-12.7	12.7	



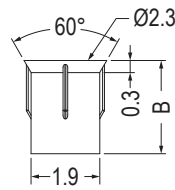
Part No.	B	Package
LEMB1-2.5-F	2.5	2000
LEMB1-3-F	3.0	
LEMB1-4-F	4.0	
LEMB1-4.8-F	4.8	
LEMB1-5-F	5.0	
LEMB1-6-F	6.0	
LEMB1-6.4-F	6.4	
LEMB1-7.9-F	7.9	
LEMB1-10-F	10.0	
LEMB1-12.7-F	12.7	
LEMB1-13.7-F	13.7	

LED 導光柱 LIGHT PIPE

用途：置LED導光於機殼面板上，使光度均勻、柔和。



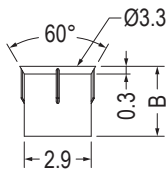
- Material: PC (UL)
- Flame Class: 94V-2/94V-0
- Color: Transparent
- Unit: mm



MOUNTING HOLE Ø1.98

Part No.	B	Package
LEMB2-2-F	2.0	2000
LEMB2-2.5-F	2.5	
LEMB2-3-F	3.0	
LEMB2-3-F	3.0	

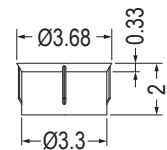
Part No.	B	Package
LEMB2-3.2-F	3.2	2000
LEMB2-4-F	4.0	
LEMB2-4.8-F	4.8	
LEMB2-5-F	5.0	
★LEMB2-6-F	6.0	
LEMB2-6.4-F	6.4	
LEMB2-7-F	7.0	
LEMB2-8-F	8.0	
LEMB2-9-F	9.0	
LEMB2-10-F	10.0	
LEMB2-20-F	20.0	1000



MOUNTING HOLE Ø3.05

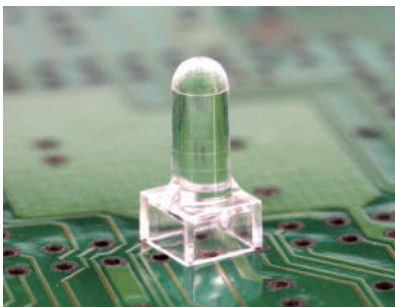
Part No.	B	Package
LEMB3-2.5-F	2.5	2000
LEMB3-3-F	3.0	
LEMB3-3.2-F	3.2	
LEMB3-5-F	5.0	
LEMB3-5-F	5.0	

Part No.	B	Package
LEMB3-6-F	6.0	2000
★LEMB3-6.4-F	6.4	
LEMB3-7-F	7.0	
LEMB3-8-F	8.0	
LEMB3-9.5-F	9.5	
LEMB3-10-F	10.0	
LEMB3-12.7-F	12.7	
LEMB3-12.7-F	12.7	

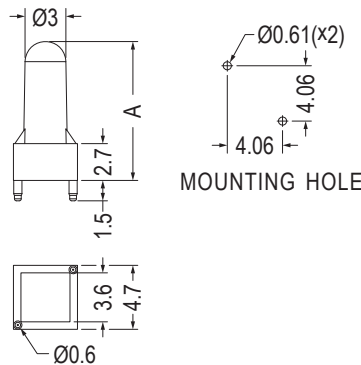


MOUNTING HOLE Ø3.5

Part No.	Package
LEMB3.5-2-F	2000

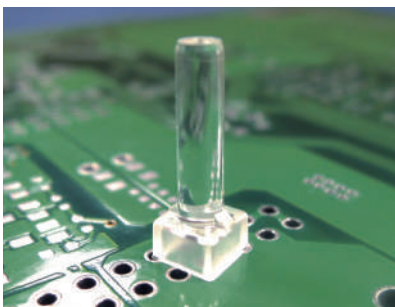


- Material: PC (UL)
- Flame Class: 94V-2/94V-0
- Color: Transparent
- Unit: mm



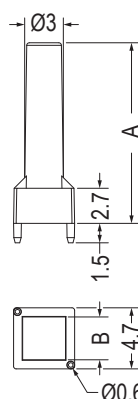
MOUNTING HOLE

Part No.	A	Package
PL1-5.1	5.1	1000
PL1-7.6	7.6	
PL1-8.9	8.9	
PL1-10.2	10.2	
PL1-11.4	11.4	
PL1-12.7	12.7	
PL1-13.9	13.9	
PL1-16.5	16.5	
PL1-21.5	21.5	



- Material: PC (UL)
- Flame Class: 94V-2/94V-0
- Color: Transparent
- Unit: mm

用途：置SMT LED導光於機殼面板上，使光度均勻、柔和。

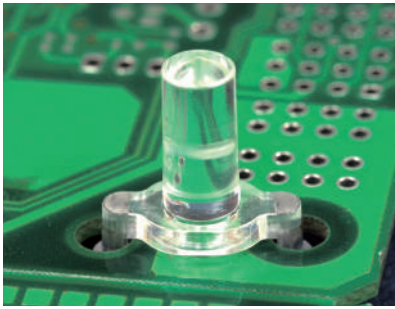


MOUNTING HOLE THICKNESS 1.6

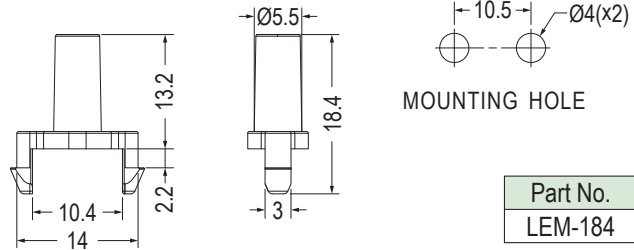
Part No.	A	B	C	Package
PL2-6.4-F	6.4	3.6	0.61	2000
PL2-9.5-F	9.5	3.3	0.65	
PL2-12.7-F	12.7	3.3	0.65	
PL2-13.9-F	13.9	3.3	0.65	1000

LED 導光柱 LIGHT PIPE

用途：置LED導光於機殼面板上，使光度均勻、柔和。

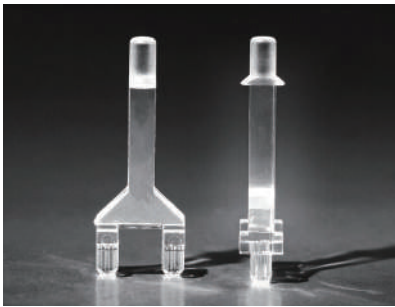


- Material: PC (UL)
- Flame Class: 94V-2/94V-0
- Color: Transparent
- Unit: mm



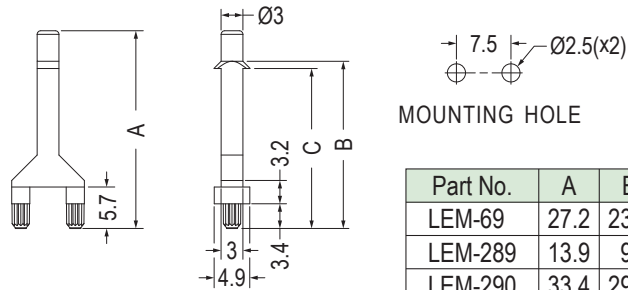
Part No.	Package
LEM-184	1000

2

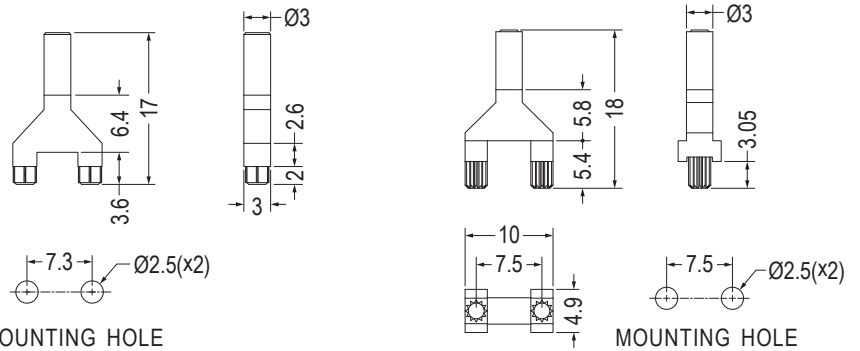


- Material: PC (UL)
- Flame Class: 94V-2/94V-0
- Color: Transparent
- Unit: mm

用途：置SMT LED導光於機殼面板上，使光度均勻、柔和。



Part No.	A	B	C	Package
LEM-69	27.2	23.0	22.0	500
LEM-289	13.9	9.7	8.7	
LEM-290	33.4	29.2	28.2	



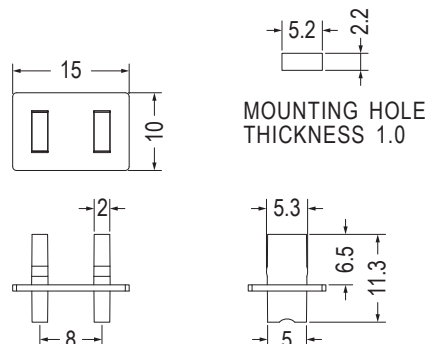
Part No.	Package
LEM-180	2000

Part No.	Package
LEM-270	1000



- Material: PC (UL)
- Flame Class: 94V-2/94V-0
- Color: Transparent
- Unit: mm

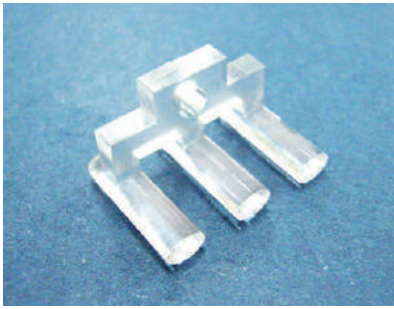
用途：置LED導光於機殼面板上，使光度均勻、柔和。



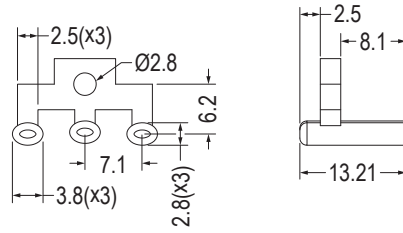
Part No.	Package
LEM-106	500

LED 導光柱 LIGHT PIPE

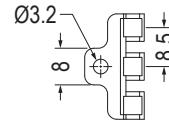
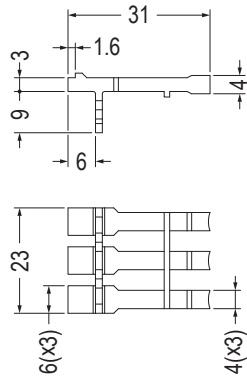
用途：置LED導光於機殼面板上，使光度均勻、柔和。



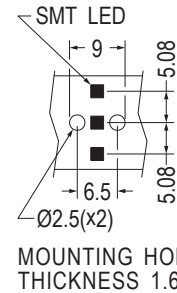
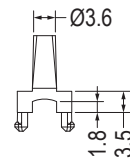
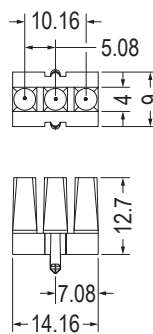
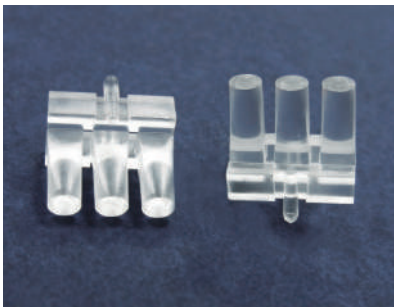
- Material: PC (UL)
- Flame Class: 94V-2/94V-0
- Color: Transparent
- Unit: mm



Part No.	Package
LEM-28	500

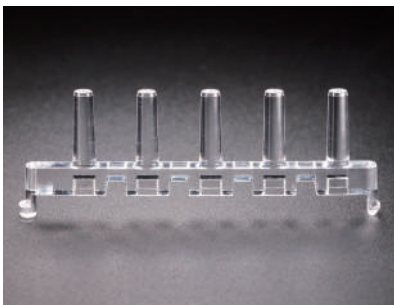


Part No.	Package
LEM-267	1000



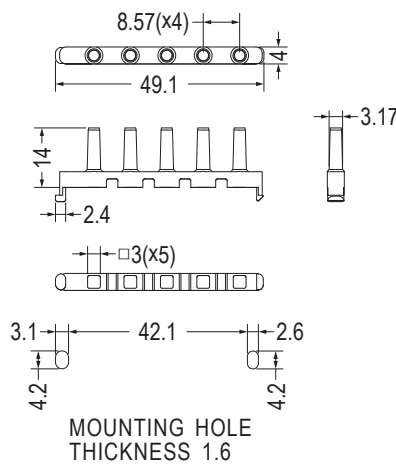
MOUNTING HOLE THICKNESS 1.6

Part No.	Package
LEM-113	500



- Material: PC (UL)
- Flame Class: 94V-2/94V-0
- Color: Transparent
- Unit: mm

用途：置SMT LED導光於機殼面板上，使光度均勻、柔和。



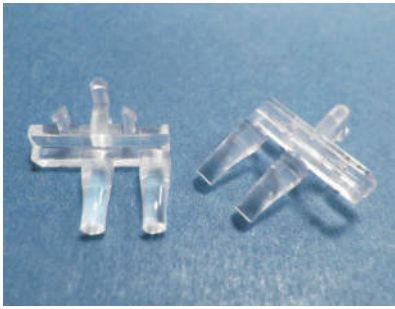
MOUNTING HOLE THICKNESS 1.6



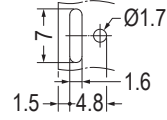
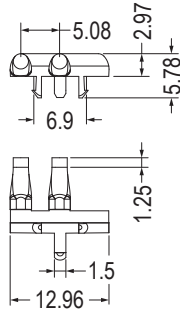
Part No.	Package
LEM-302	1000

LED 導光柱 LIGHT PIPE

用途：置SMT LED導光於機殼面板上，使光度均勻、柔和。



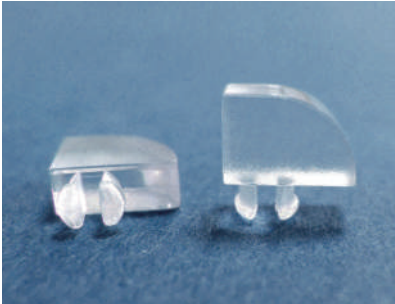
- Material: PC (UL)
- Flame Class: 94V-2/94V-0
- Color: Transparent
- Unit: mm



MOUNTING HOLE THICKNESS 1.6

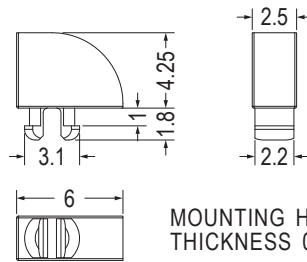
Part No.	Package
LEM-61	2000

2



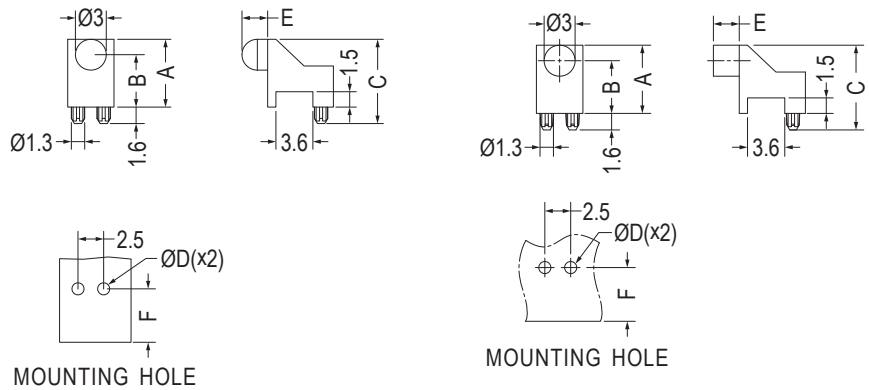
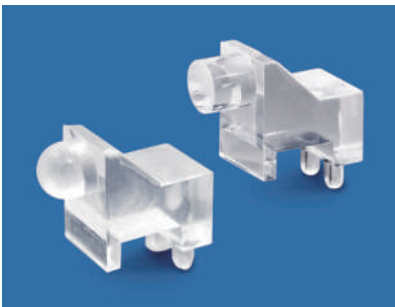
- Material: PC (UL)
- Flame Class: 94V-2/94V-0
- Color: Transparent
- Unit: mm

用途：置LED導光於機殼面板上，使光度均勻、柔和。



MOUNTING HOLE Ø2.6 THICKNESS 0.9

Part No.	Package
LEM-145	2000

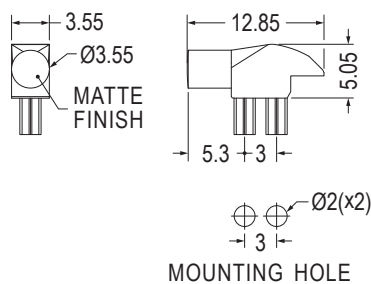


MOUNTING HOLE

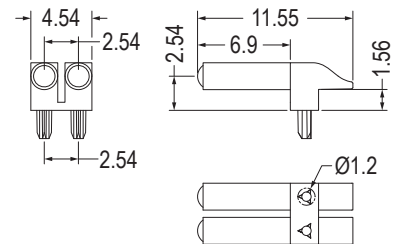
MOUNTING HOLE

【 LEM-136-F, LEM-225-F, LEM-260-F, LEM-313-F 】

Part No.	A	B	C	D	E	F	Package
LEM-136	6.6	5.1	8.2	1.2	2.5	5.2	2000
LEM-136-F	6.6	5.1	8.2	1.2	2.5	5.2	
LEM-225	5.3	3.8	6.9	1.17	2.5	5.2	1000
LEM-225-F	5.3	3.8	6.9	1.17	2.5	5.2	
LEM-260-F	5.3	3.8	6.9	1.17	3.8	5.2	2000
★LEM-313-F	9.1	7.6	10.7	1.17	2.5	7.7	1000
★LEM-315	12.9	11.4	14.5	1.17	2.5	7.7	



MOUNTING HOLE

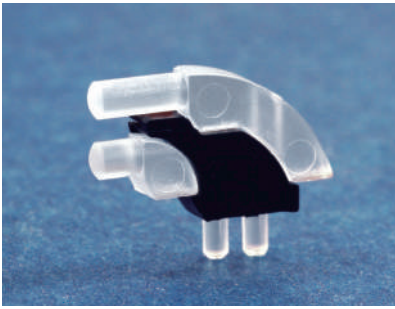


MOUNTING HOLE 1.1

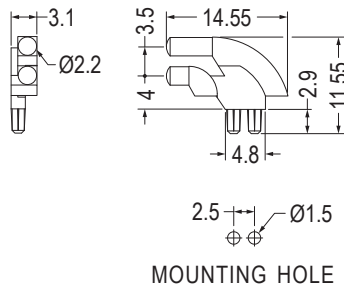
Part No.	Package
LEM-195	1000

Part No.	Package
LEM-269	2000

LED 導光柱 LIGHT PIPE

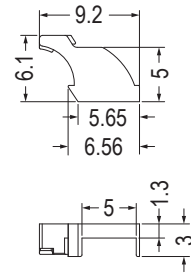


- Material: PC (UL)
- Flame Class: 94V-2/94V-0
- Color: Transparent
- Unit: mm



Part No.	Package
LEM-207	1000

用途：置LED導光於機殼面板上，使光度均勻、柔和。LEM-207B遮蔽導光柱，可免鄰近LED光線干擾，配合LEM-207使用。



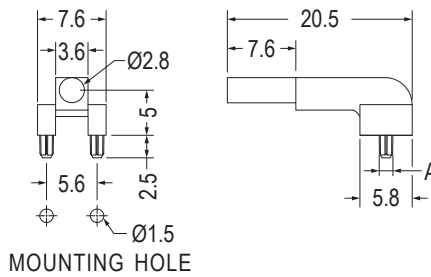
- Material: Nylon 66 (UL)
- Color: Natural/Black

Part No.	Package
LEM-207B	1000

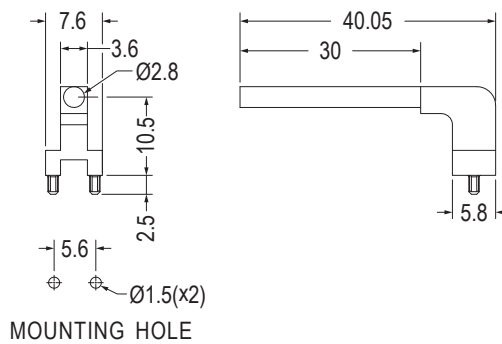
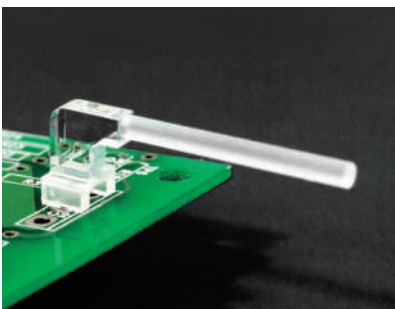


- Material: PC (UL)
- Flame Class: 94V-2/94V-0
- Color: Transparent
- Unit: mm

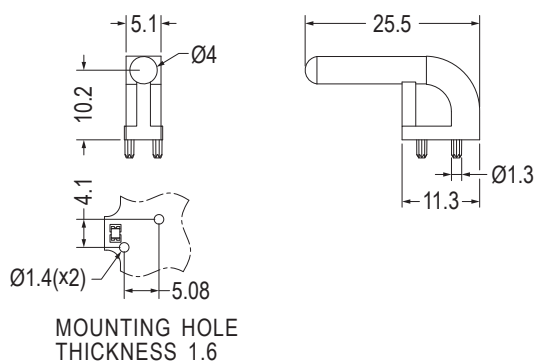
用途：置SMT LED導光於機殼面板上，使光度均勻、柔和。



Part No.	A	Package
LPE1-5-20.5	1.7	1000
LPE1-5-20.5S	1.52	



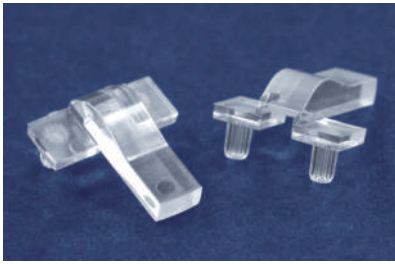
Part No.	Package
LPE1-10.5-40	1000



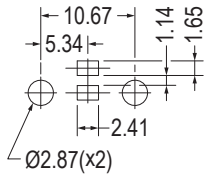
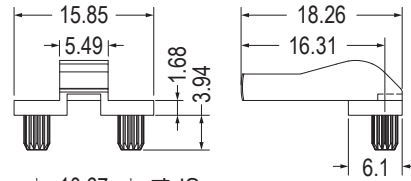
Part No.	Package
LPE1-10.2-25.5	1000

LED 導光柱 LIGHT PIPE

用途：置SMT LED 導光於機殼面板上，
使光度均勻、柔和。

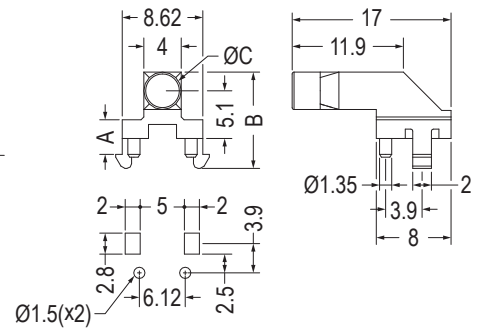


- Material: PC (UL)
- Flame Class: 94V-2/94V-0
- Color: Transparent
- Unit: mm



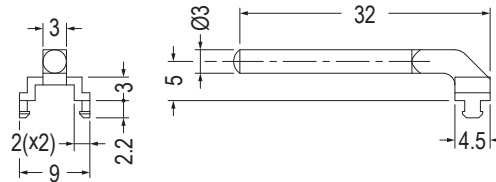
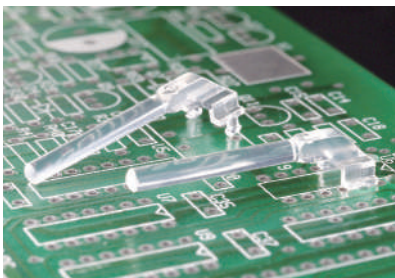
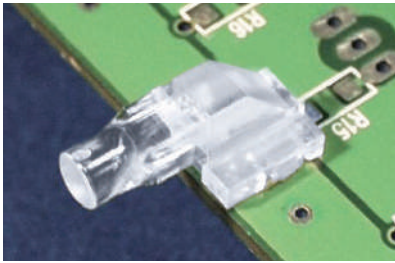
MOUNTING HOLE

Part No.	Package
SLP-3	1000

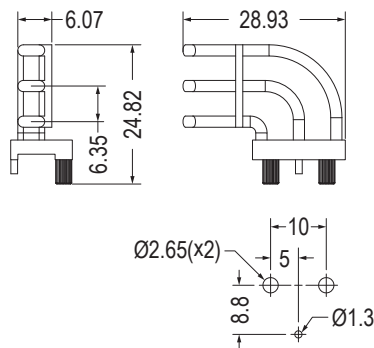
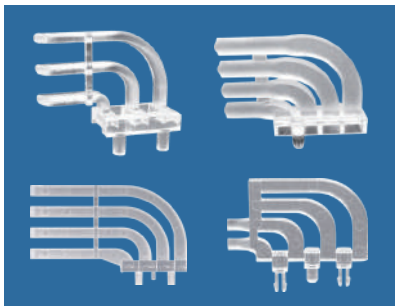


MOUNTING HOLE

Part No.	A	B	C	Package
LPF1-517	3.7	10.3	4.0	2000
LPF1-518	4.1	10.7	2.6	

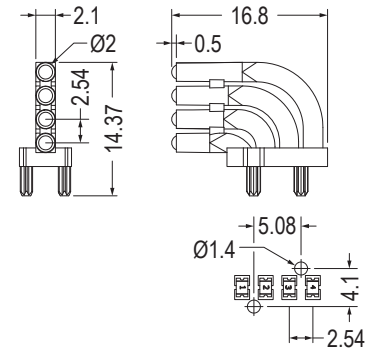


Part No.	Package
LEM-293	1000



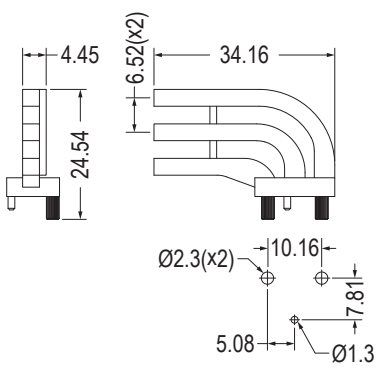
MOUNTING HOLE

Part No.	Package
LPE3-7.8	500



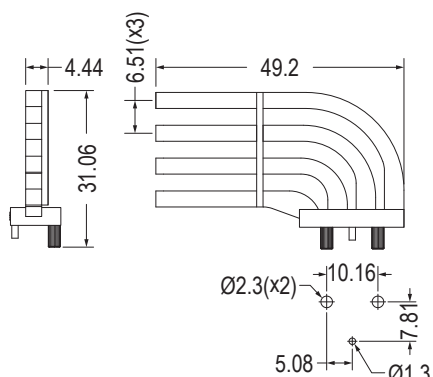
MOUNTING HOLE THICKNESS 1.6

Part No.	Package
LPE4-3.6	500



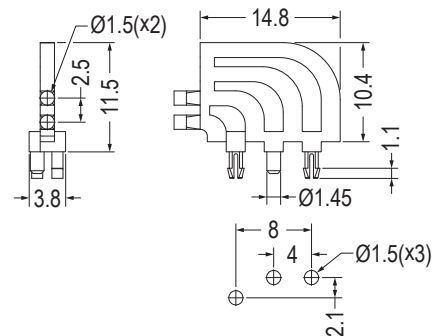
MOUNTING HOLE

Part No.	Package
LPEB3-1	500



MOUNTING HOLE

Part No.	Package
LPEB4-1	500

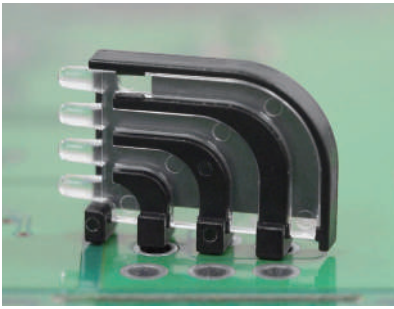


MOUNTING HOLE THICKNESS 1.6

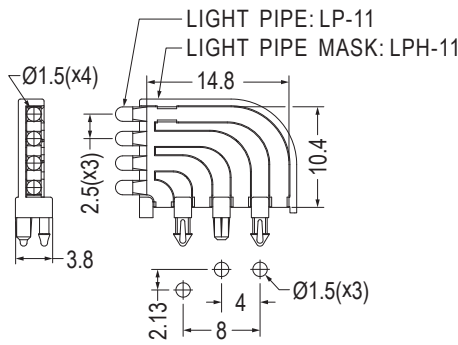
Part No.	Package
LPED2-1	1000

LED 導光柱 LIGHT PIPE

用途：置SMT LED導光於機殼面板上，使光度均勻、柔和。

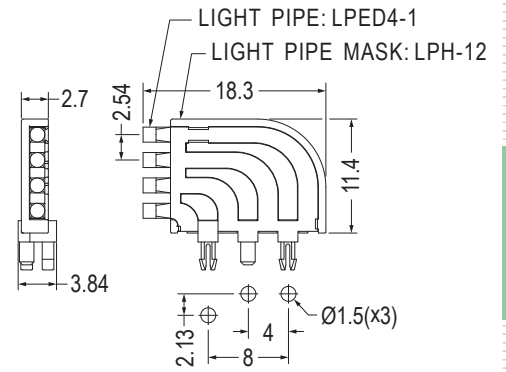


- Material: PC (UL)
- Holder Material: Nylon 66 (UL)
- Flame Class: 94V-2/94V-0
- Color: Transparent
- Holder Color: Black
- Unit: mm



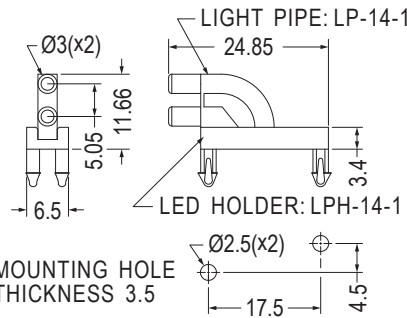
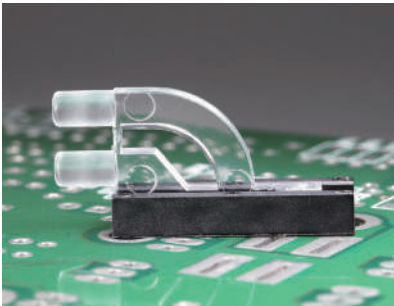
MOUNTING HOLE THICKNESS 1.6

Part No.	Package
LP-11F	1000



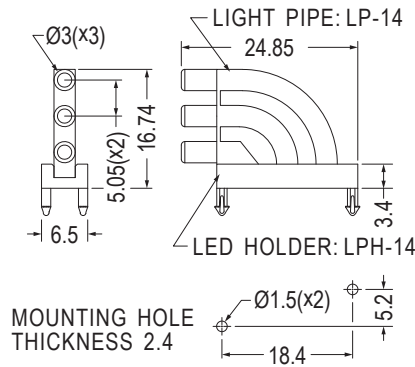
MOUNTING HOLE THICKNESS 1.6

Part No.	Package
LPED4-1F	1000



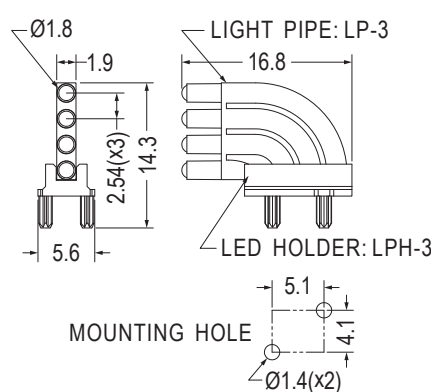
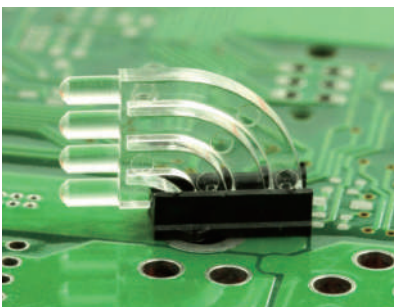
MOUNTING HOLE THICKNESS 3.5

Part No.	Package
LP-14-1F	1000



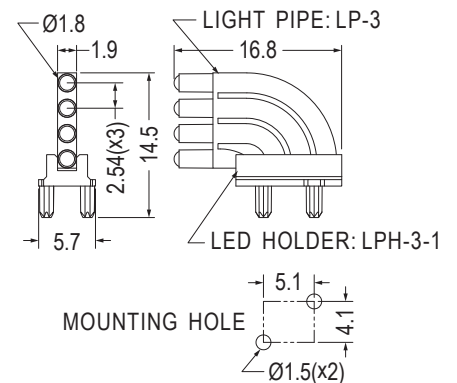
MOUNTING HOLE THICKNESS 2.4

Part No.	Package
LP-14F	1000



MOUNTING HOLE

Part No.	Package
LP-3F	1000

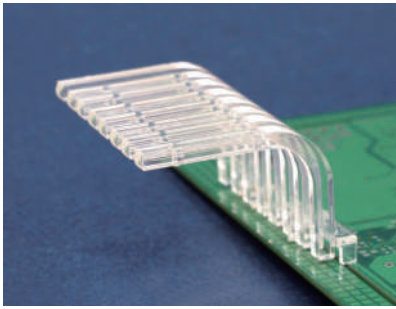


MOUNTING HOLE

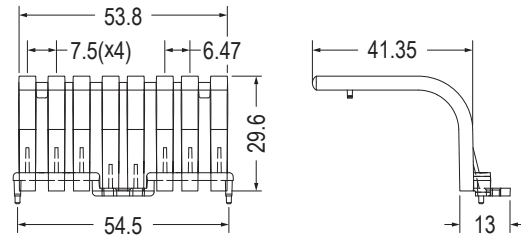
Part No.	Package
LP-3-1F	1000

LED 導光柱 LIGHT PIPE

用途：置SMT LED導光於機殼面板上，使光度均勻、柔和。

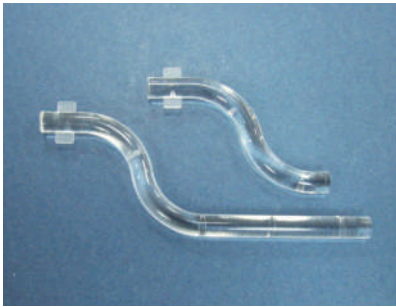


- Material: PC (UL)
- Flame Class: 94V-2/94V-0
- Color: Transparent
- Unit: mm



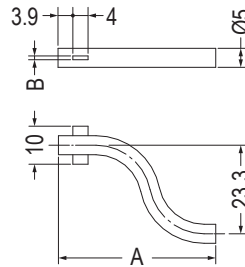
Part No.	Package
LEM-166	50

2



- Material: PMMA
- Color: Transparent
- Unit: mm

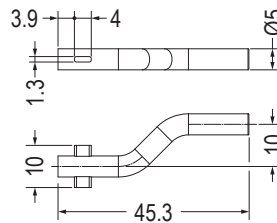
用途：用於LED導光柱。



Part No.	A	B	Package
LPG-1	41.5	1.3	250
LPG-2	76.5	1.2	100



- Material: PC (UL)
- Flame Class: 94V-2/94V-0
- Color: Transparent
- Unit: mm

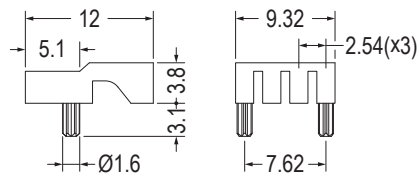


Part No.	Package
LPG-3	250



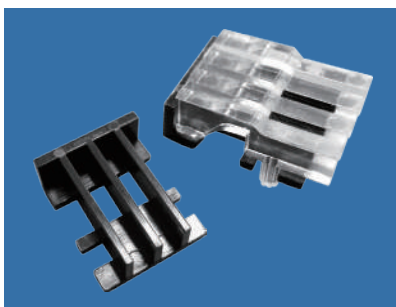
- Material: PMMA (UL)/PC (UL)
- Flame Class: 94HB/94V-2/94V-0
- Color: Transparent
- Unit: mm

用途：置LED導光於機殼面板上，使光度均勻、柔和。LPH-2B可遮蔽導光柱，免鄰近LED光線干擾，配合LP-2使用。

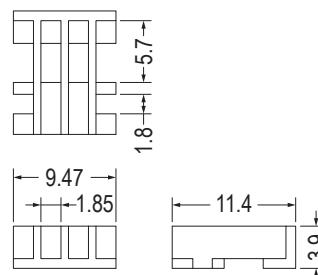


MOUNTING HOLE Ø1.5

Part No.	Package
LP-2	2000

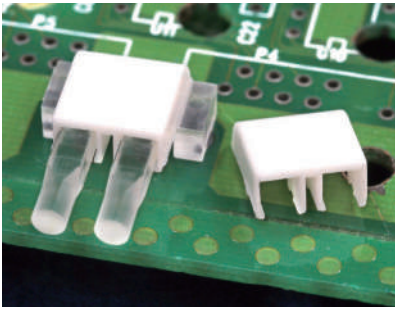


- Material: PC (UL)
- Flame Class: 94V-2
- Color: Black
- Unit: mm

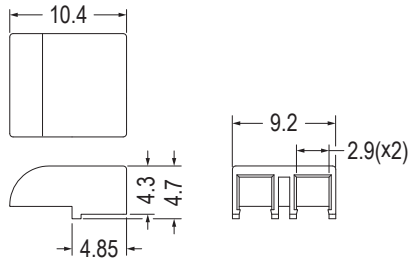


Part No.	Package
LPH-2B	2000

LED遮光罩 LIGHT PIPE MASK

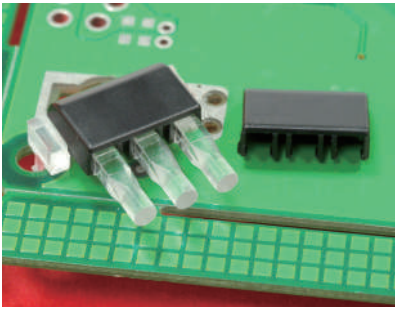


- Material: Nylon 66 (UL)
- Flame Class: 94V-2/94V-0
- Color: Natural/Black
- Unit: mm

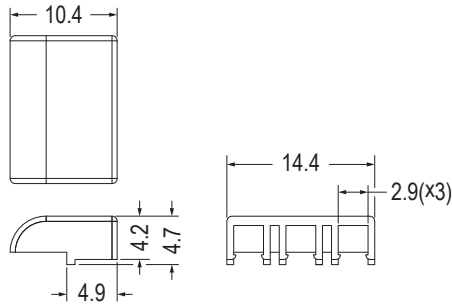


Part No.	Package
LPE2-5-19C	1000

用途：遮蔽導光柱，避免鄰近LED光線干擾，搭配LPE2-5-19使用。

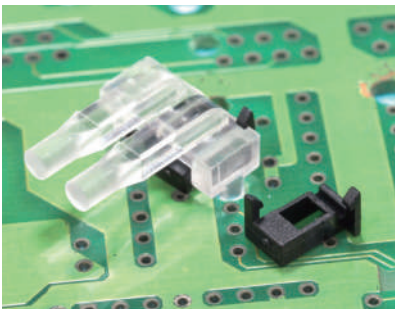


- Material: PC+ABS (UL)
- Flame Class: 94V-0
- Color: Black
- Unit: mm

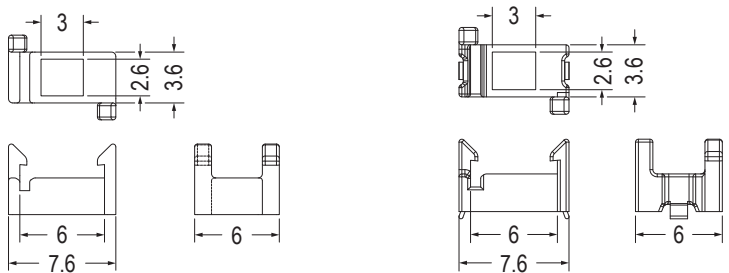


Part No.	Package
LPE3-5-22C	1000

用途：遮蔽導光柱，避免鄰近LED光線干擾，配合LPE3-5-22使用。



- Material: Nylon 66 (UL)
- Flame Class: 94V-2/94V-0
- Color: Black
- Unit: mm

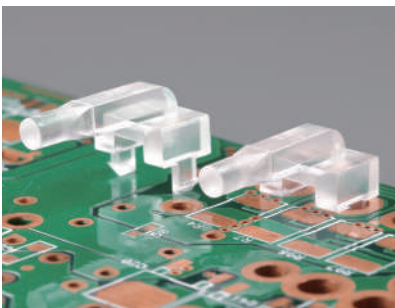


Part No.	Package
LPH-4	2000

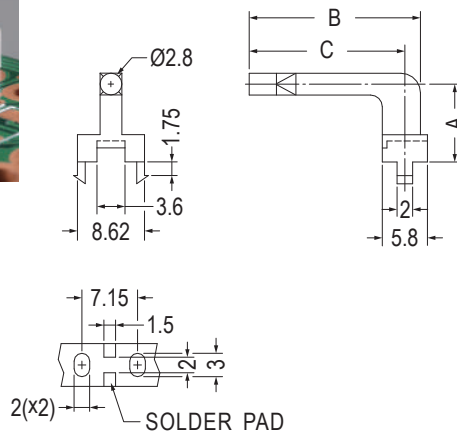
Part No.	Package
LPH-4-1	2000

用途：遮蔽導光柱，避免鄰近LED光線干擾，配合LPE系列使用。

LED導光柱 LIGHT PIPE



- Material: PC (UL)
- Flame Class: 94V-2/94V-0
- Color: Transparent
- Unit: mm

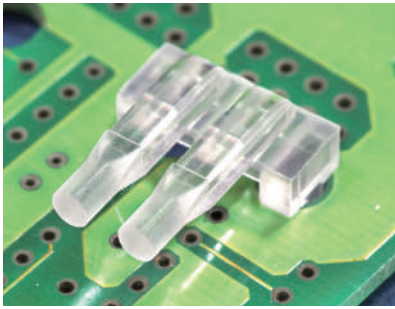


用途：置SMT LED導光於機殼面板上，使光度均勻、柔和。

Part No.	A	B	C	Package
LPE1-5-16	5.0	16.0	14.0	1000
LPE1-5-19	5.0	19.0	17.0	
LPE1-5-22	5.0	22.0	20.0	
LPE1-10-16	10.0	16.0	14.0	
LPE1-10-19	10.0	19.0	17.0	
LPE1-10-22	10.0	22.0	20.0	
LPE1-10-26	10.0	27.0	25.0	
LPE1-15-16	15.0	16.0	14.0	
LPE1-15-19	15.0	19.0	17.0	
LPE1-15-22	15.0	22.0	20.0	

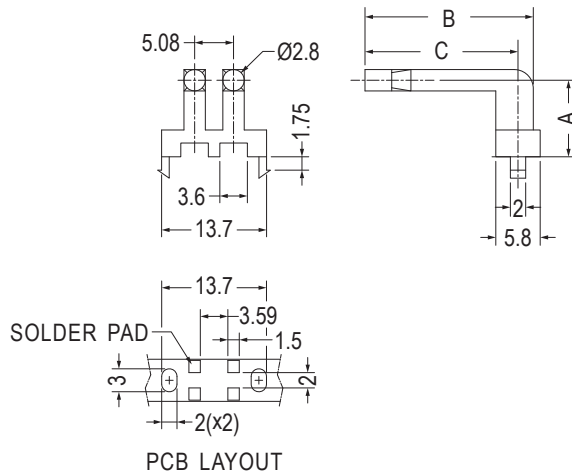
LED 導光柱 LIGHT PIPE

用途：置SMT LED導光於機殼面板上，
使光度均勻、柔和。

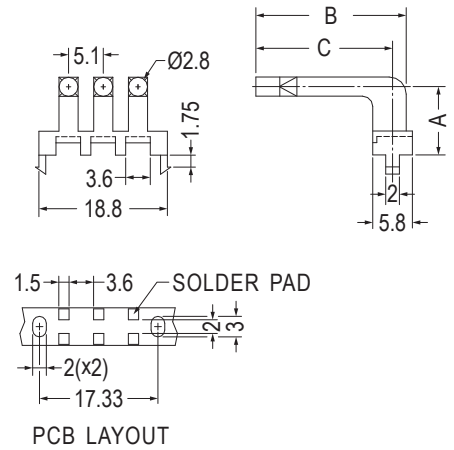


- Material: PC (UL)
- Flame Class: 94V-2/94V-0
- Color: Transparent
- Unit: mm

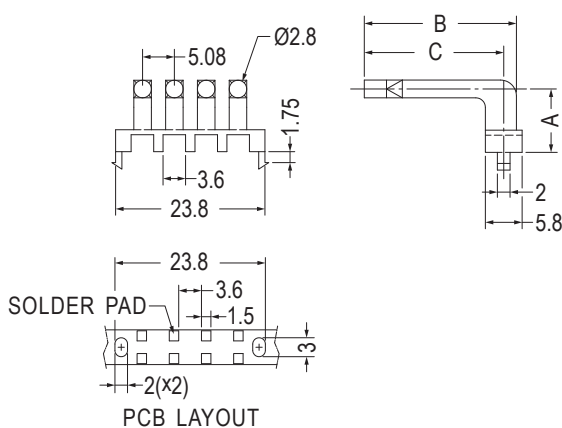
2



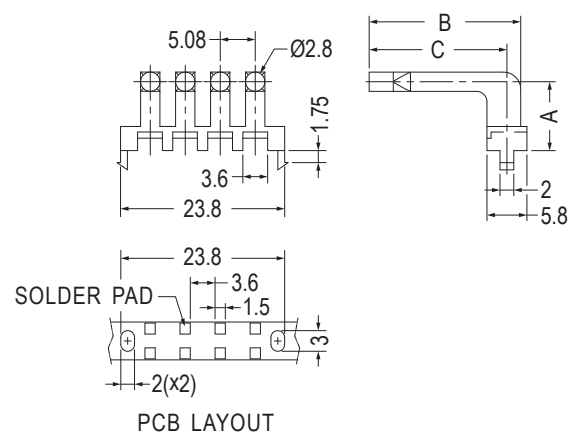
Part No.	A	B	C	Package
LPE2-5-16	5.0	16.0	14.0	1000
LPE2-5-19	5.0	19.0	17.0	
LPE2-5-22	5.0	22.0	20.0	
LPE2-10-16	10.0	16.0	14.0	
LPE2-10-19	10.0	19.0	17.0	
LPE2-10-22	10.0	22.0	20.0	
LPE2-15-16	15.0	16.0	14.0	
LPE2-15-19	15.0	19.0	17.0	
LPE2-15-22	15.0	22.0	20.0	



Part No.	A	B	C	Package
LPE3-5-14	5.0	14.0	12.0	500
LPE3-5-16	5.0	16.0	14.0	
LPE3-5-19	5.0	19.0	17.0	
LPE3-5-22	5.0	22.0	20.0	
LPE3-10-16	10.0	16.0	14.0	
LPE3-10-19	10.0	19.0	17.0	
LPE3-10-22	10.0	22.0	20.0	
LPE3-15-16	15.0	16.0	14.0	
LPE3-15-19	15.0	19.0	17.0	
LPE3-15-22	15.0	22.0	20.0	



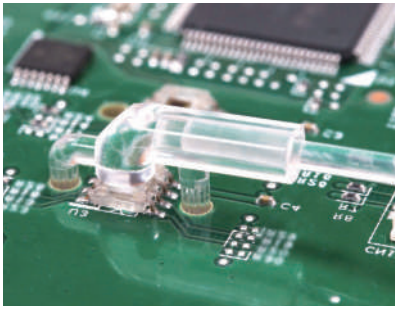
Part No.	A	B	C	Package
LPE4-5-18	5.0	18.0	16.0	100
LPE4-10-24	10.0	24.0	22.0	



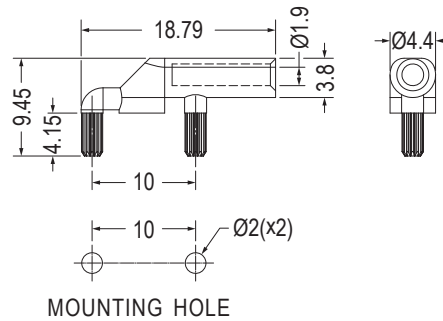
Part No.	A	B	C	Package
LPE4-5-16	5.0	16.0	14.0	500
LPE4-5-19	5.0	19.0	17.0	
LPE4-5-22	5.0	22.0	20.0	
LPE4-10-16	10.0	16.0	14.0	
LPE4-10-19	10.0	19.0	17.0	
LPE4-10-22	10.0	22.0	20.0	
LPE4-15-16	15.0	16.0	14.0	
LPE4-15-19	15.0	19.0	17.0	
LPE4-15-22	15.0	22.0	20.0	

光纖座 OPTICAL FIBER MOUNT

用途：配合光纖將LED光導到機器面板。



- Material: PC (UL)
- Flame Class: 94V-2/94V-0
- Color: Transparent
- Unit: mm



Part No.	Package
PMR-11	1000

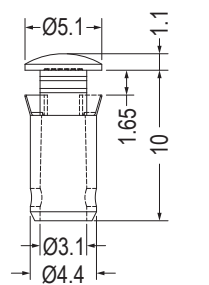
2

LED導光柱 LIGHT PIPE

用途：可配合光纖將LED光導到機器面板。

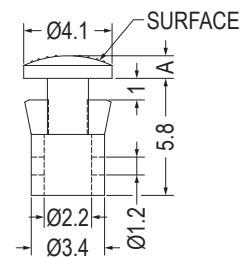


- Material: PC (UL)
- Flame Class: 94V-2/94V-0
- Color: Transparent
- Unit: mm



MOUNTING HOLE Ø4.5
THICKNESS 1.6

Part No.	Package
LEU-4	1000

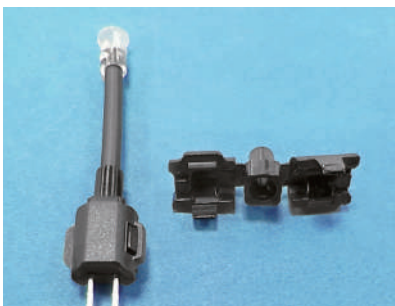


MOUNTING HOLE Ø3.5
THICKNESS 0.8~1.0

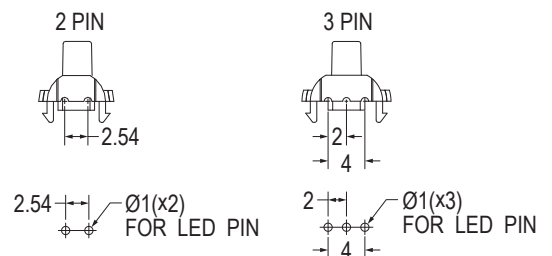
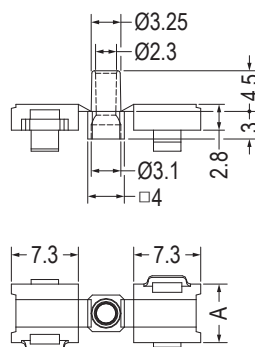
Part No.	A	Surface	Package
LEU-1	1.1	Bright	2000
LEU-2	1.05	Matte	

光纖座 OPTICAL FIBER MOUNT

用途：配合光纖及LEU-1將LED光導到機器面板。



- Material: Nylon 66 (UL)
- Flame Class: 94V-2/94V-0
- Color: Black
- Unit: mm



MOUNTING HOLE
RECOMMEND FOR REFERENCE ONLY

【 PMR-1 】

【 PMR-2 】

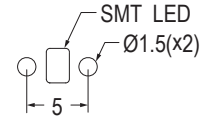
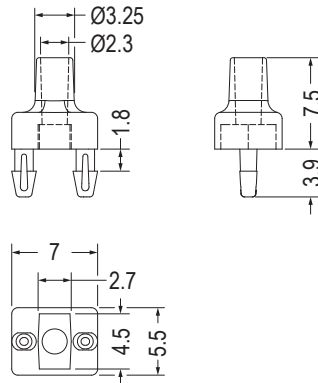
Part No.	A	Package
PMR-1	6.4	2000
PMR-2	7.86	

光纖座 OPTICAL FIBER MOUNT

用途：配合光纖將SMT LED光導到機器面板。

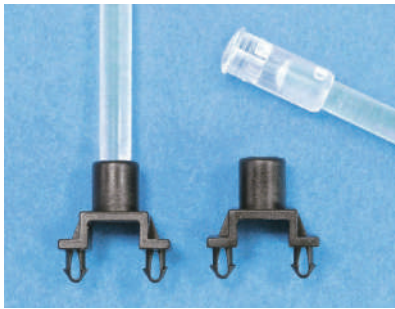


- Material: Nylon 66 (UL)
- Flame Class: 94V-2/94V-0
- Color: Black
- Unit: mm

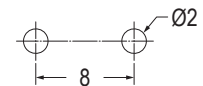
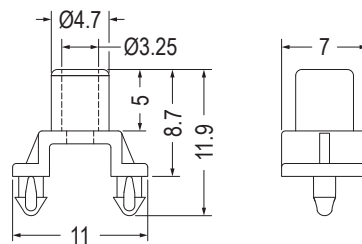


MOUNTING HOLE THICKNESS 1.6

Part No.	Package
PMR-3	2000

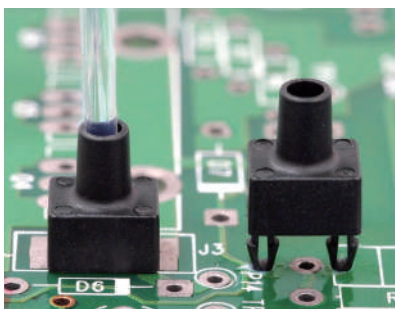


- Material: Nylon 66 (UL)
- Flame Class: 94V-2/94V-0
- Color: Black
- Unit: mm

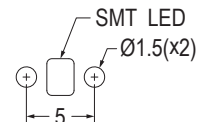
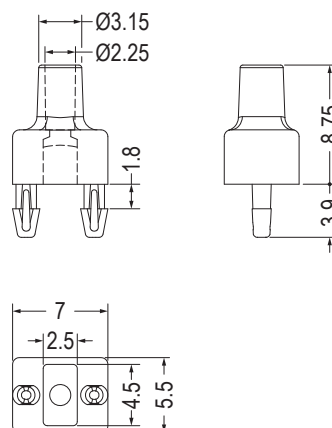


MOUNTING HOLE THICKNESS 1.6

Part No.	Package
PMR-10	1000



- Material: Nylon 66 (UL)
- Flame Class: 94V-2/94V-0
- Color: Black
- Unit: mm

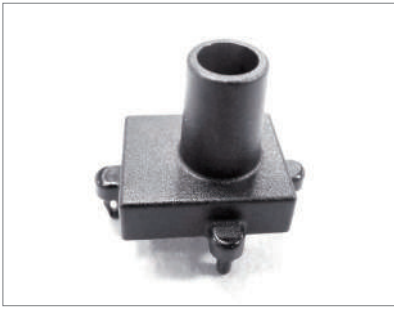


MOUNTING HOLE THICKNESS 1.6

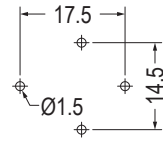
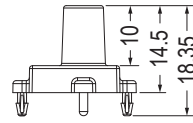
Part No.	Package
PMR-13	2000

光纖座 OPTICAL FIBER MOUNT

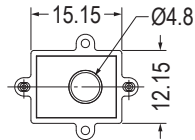
用途：配合光纖將LED光導到機器面板。



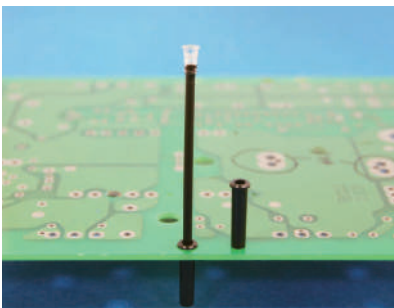
- Material: Nylon 66 (UL)
- Flame Class: 94V-2/94V-0
- Color: Black
- Unit: mm



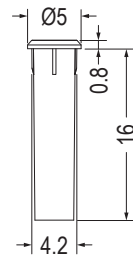
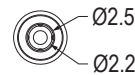
MOUNTING HOLE THICKNESS 1.6



Part No.	Package
PMR-6	2000

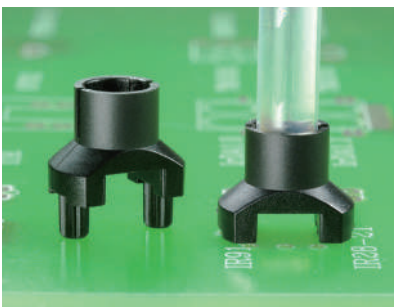


- Material: Nylon 66 (UL)
- Flame Class: 94V-2/94V-0
- Color: Black
- Unit: mm

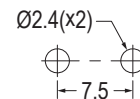
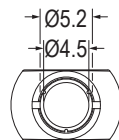


MOUNTING HOLE Ø4.0

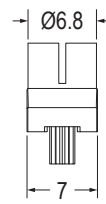
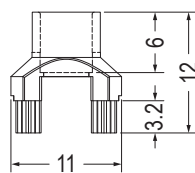
Part No.	Package
PMR-14	1000



- Material: PC (UL)
- Flame Class: 94V-2/94V-0
- Color: Natural/Black
- Unit: mm



MOUNTING HOLE

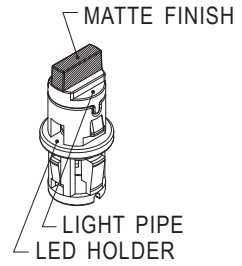
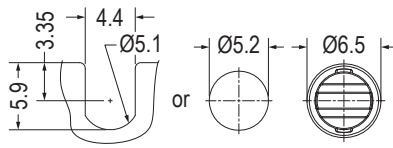


Part No.	Package
PMR-7	1000

LED導光座 LIGHT PIPE MOUNT

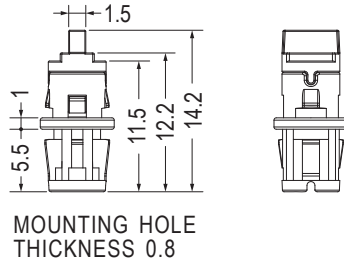


- Material: Nylon 66 (UL)/PC (UL)
- Flame Class: 94V-2/94V-0
- Color: Transparent/Black
- Unit: mm
- Patented (專利品)



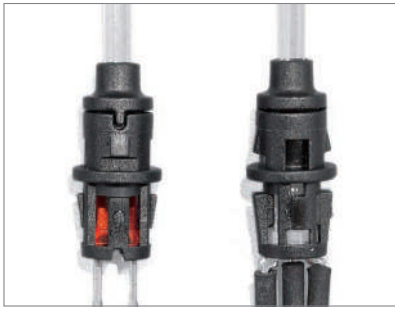
- 適用Ø3 LED帽緣款
- 適用於2 PIN、3 PIN

Part No.	Part No.	Package
LEMA-6F	LED3-52	1000
	LEM-234	
	子母包：內容物包含右方零件 上述零件亦可單獨選購	

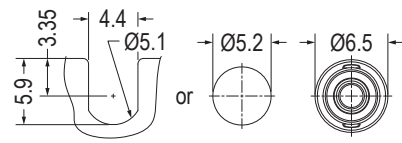


使用說明
Installation Guide

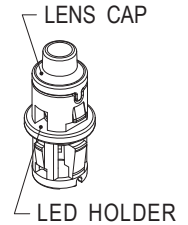
光纖座 OPTICAL FIBER MOUNT



- Material: Nylon 66 (UL)
- Flame Class: 94V-2/94V-0
- Color: Black
- Unit: mm
- Patented (專利品)

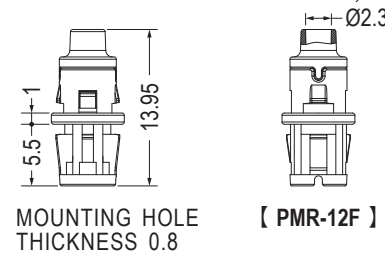


用途：配合光纖將LED光導到機器面板上。



- 適用Ø3 LED帽緣款
- 適用於2 PIN、3 PIN

Part No.	Part No.	Package
PMR-12F	LED3-52	1000
	PMR-12	
PMR-12-1F	LED3-52	1000
	PMR-12-1	
子母包：內容物包含右方零件 上述零件亦可單獨選購		

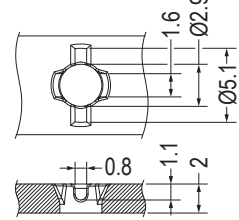
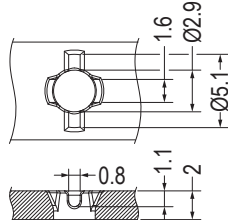
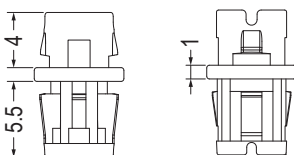
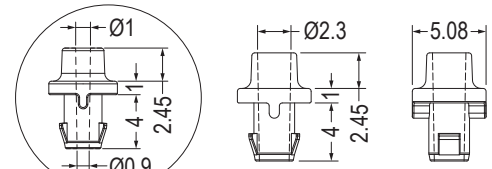
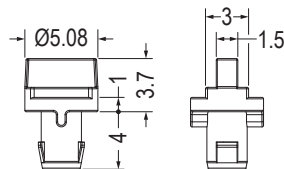
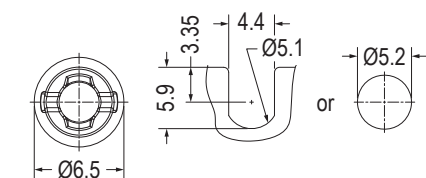


使用說明
Installation Guide

- Material: Nylon 66 (UL)
- Flame Class: 94V-2
- Color: Black
- Unit: mm
- Patented (專利品)

- Material: PC (UL)
- Flame Class: 94V-2
- Color: Transparent
- Unit: mm
- Patented (專利品)

- Material: Nylon 66 (UL)
- Flame Class: 94V-2
- Color: Black
- Unit: mm
- Patented (專利品)



MOUNTING HOLE THICKNESS 0.8

MOUNTING HOLE THICKNESS 0.8

MOUNTING HOLE THICKNESS 0.8

【 LED3-52 】

【 LEM-234 】

【 PMR-12 】