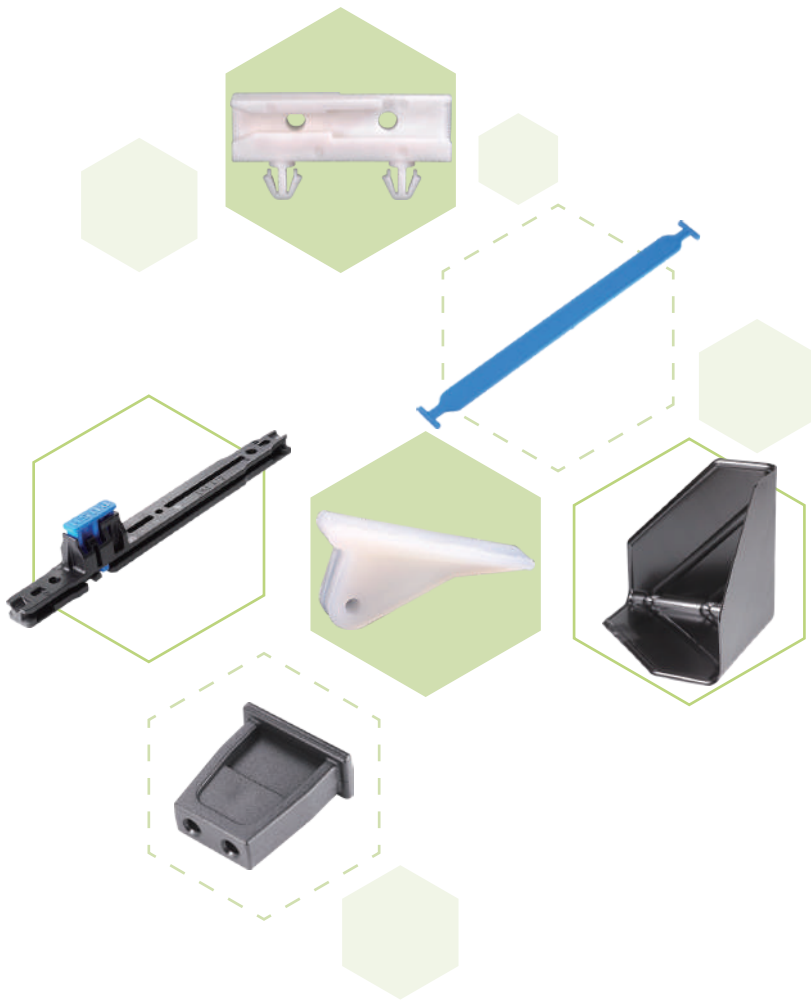


3

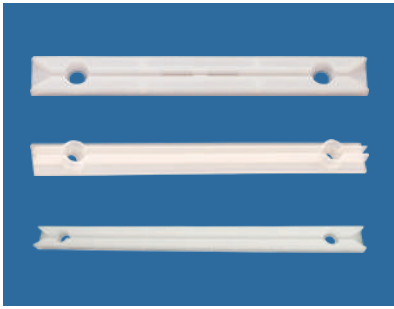


- PCB導槽
PCB Card Guides
- PCB拉柄
PCB Card Pullers
- 拉柄蓋
Latch Caps
- 拉柄
Latches
- 把手
Handles
- 外箱把手
Box Handles
- 紙箱配件
Packaging Accessories

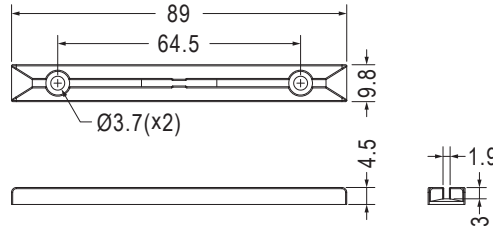


PCB 導槽 PCB CARD GUIDE

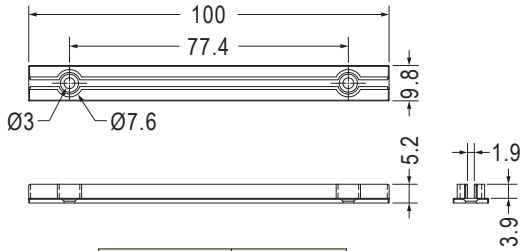
用途：用螺絲鎖於機板，固定PC板於機殼上，安裝方便。



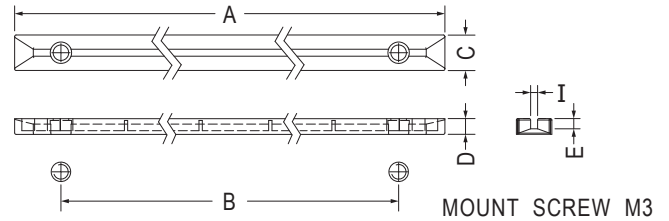
- Material: Nylon 66 (UL)
- Flame Class: 94V-2/94V-0
- Color: Natural/Black
- Unit: mm



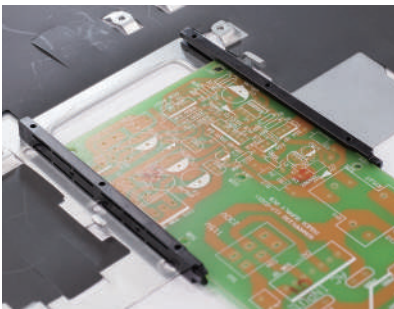
Part No.	Package
CGBC-89	250



Part No.	Package
CGBB-100	250

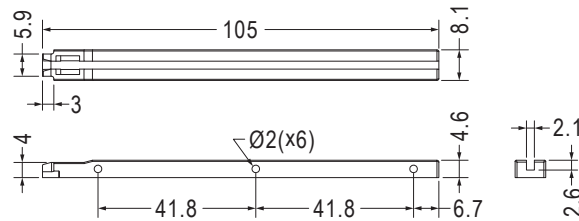


Part No.	A	B	C	D	E	I	Package
CGB-100L	100.0	77.0	10.0	7.2	5.4	2.2	250
CGB-120	119.0	94.5	9.8	4.5	3.0	1.9	
CGB-140	139.8	114.5	9.7	4.3	2.8	1.9	
CGB-160	158.7	135.0	9.7	4.3	2.8	1.9	



- Material: PC+ABS (UL)
- Flame Class: 94V-0
- Color: Black
- Unit: mm

用途：固定OCP3.0板於機殼或PC板上，安裝方便。

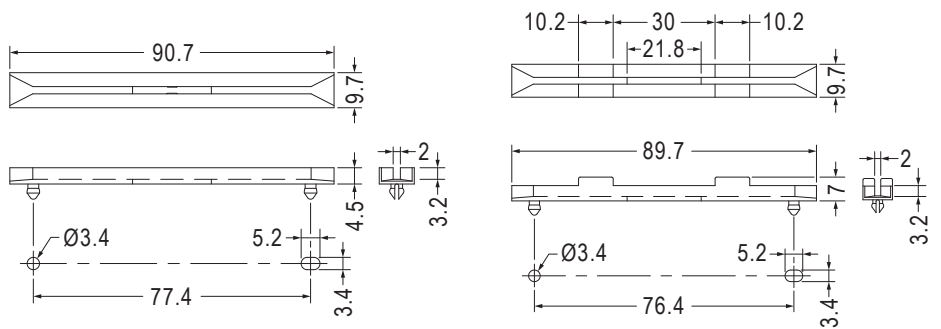


Part No.	Package
CGQ-105	250



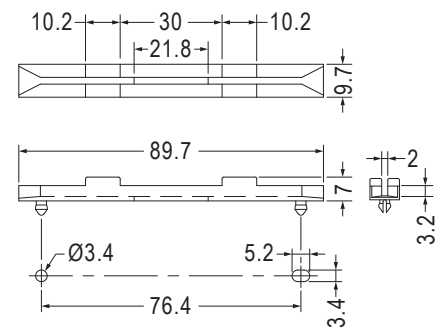
- Material: Nylon 66 (UL)
- Flame Class: 94V-2/94V-0
- Color: Natural/Black
- Unit: mm

用途：固定PC板於機殼上，安裝方便，免螺絲。



MOUNTING HOLE THICKNESS 1.2

Part No.	Package
CG-9A	250



MOUNTING HOLE THICKNESS 1.2

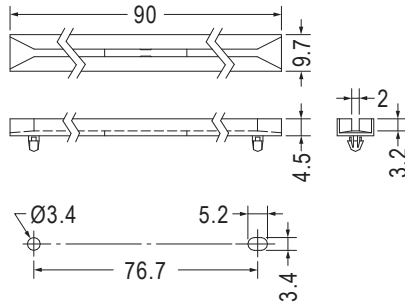
Part No.	Package
CG-9AL	250

PCB導槽 PCB CARD GUIDE

用途：固定PC板於機殼上，安裝方便，免螺絲。

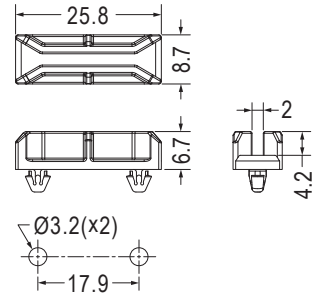


- Material: Nylon 66 (UL)
- Flame Class: 94V-2/94V-0
- Color: Natural/Black
- Unit: mm



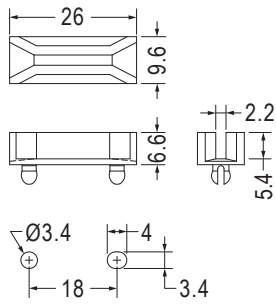
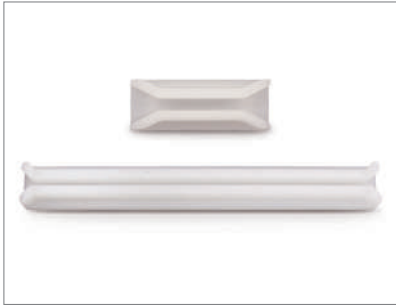
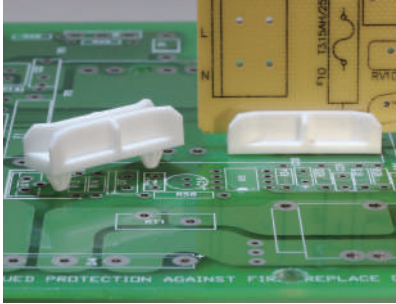
MOUNTING HOLE THICKNESS 1.2

Part No.	Package
CG-9B	250



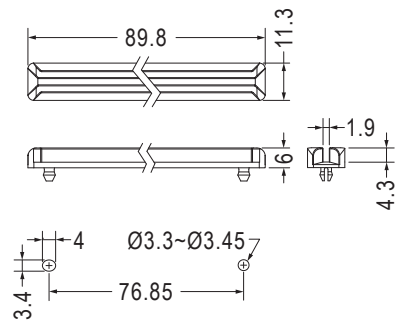
MOUNTING HOLE THICKNESS: T

Part No.	T	Package
CG-25	0.8	500
★CG-25L	1.2	



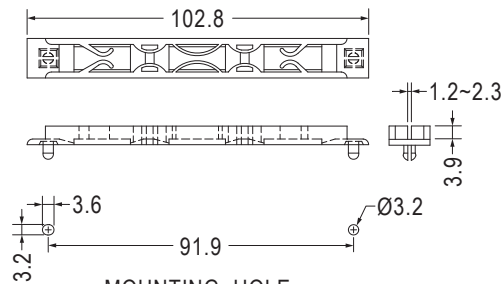
MOUNTING HOLE THICKNESS 1.2

Part No.	Package
CG-26	500



MOUNTING HOLE THICKNESS 1.2~2.3

Part No.	Package
CG-9D	500

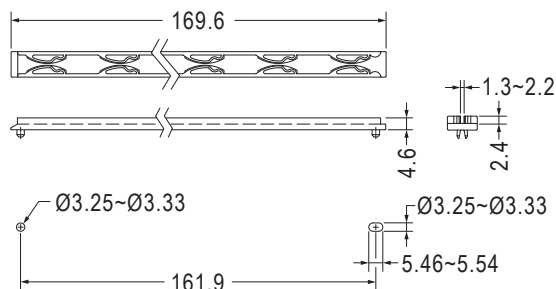


MOUNTING HOLE THICKNESS 1.6~2.2

Part No.	Package
CG-10A	200



- Material: PC (UL)
- Flame Class: 94V-2/94V-0
- Color: Black
- Unit: mm

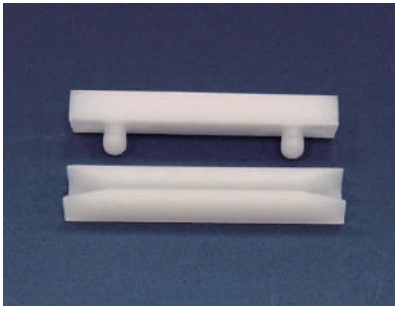


MOUNTING HOLE THICKNESS 1.5~1.8

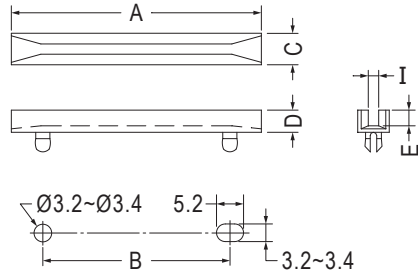
Part No.	Package
CGE-169	500

PCB導槽 PCB CARD GUIDE

用途：固定PC板於機殼上，安裝方便，免螺絲。

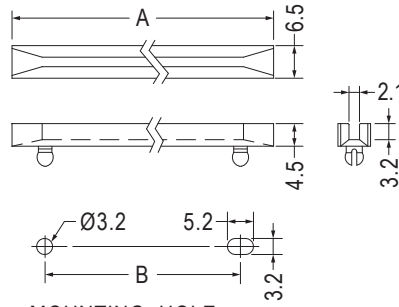
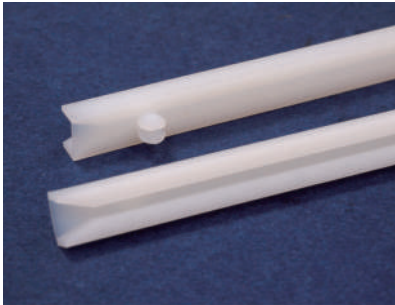


- Material: Nylon 66 (UL)
- Flame Class: 94V-2/94V-0
- Color: Natural/Black
- Unit: mm



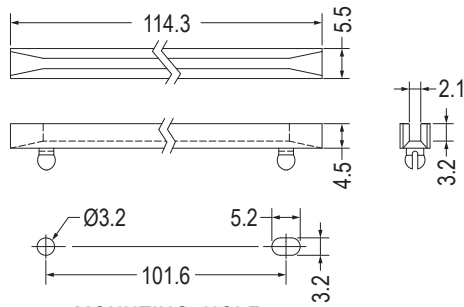
MOUNTING HOLE THICKNESS: T

Part No.	A	B	C	D	E	I	T	Package
CG-38	38.0	25.4	6.4	4.5	3.2	2.1	0.8~1.2	500
CG-38L	38.0	25.4	9.6	4.5	3.0	1.9	1.0~1.6	
CG-50	50.8	38.0	6.4	4.5	3.2	2.1	0.8~1.2	
CG-50S	50.8	38.0	6.4	2.5	1.2	2.1	0.8~1.2	
CG-90S	88.9	76.2	6.4	2.8	1.5	2.1	0.8~1.2	



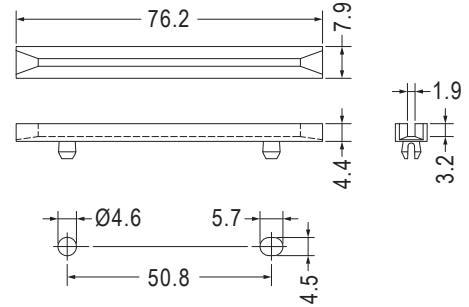
MOUNTING HOLE THICKNESS 0.8~1.2

Part No.	A	B	Package
CG-250	63.5	50.8	500
CG-300	76.2	63.5	
CG-350	88.9	76.2	250
CG-400	101.6	88.9	
CG-450	114.3	101.6	200
CG-500	127.0	114.3	
CG-550	139.7	127.0	
CG-600	152.4	139.7	



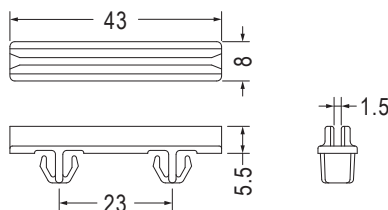
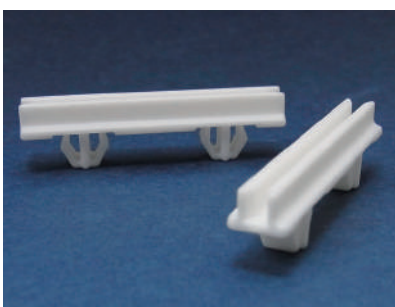
MOUNTING HOLE THICKNESS 0.8~1.2

Part No.	Package
CG-450S	500



MOUNTING HOLE THICKNESS 1.2~2.3

Part No.	Package
CG-300L	500

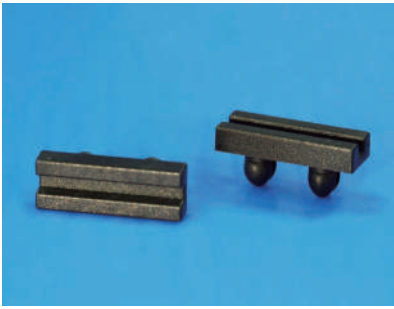


MOUNTING HOLE THICKNESS 1.2

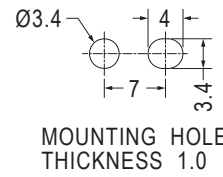
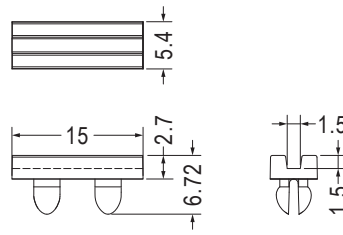
Part No.	Package
CGC-43	500

PCB 導槽 PCB CARD GUIDE

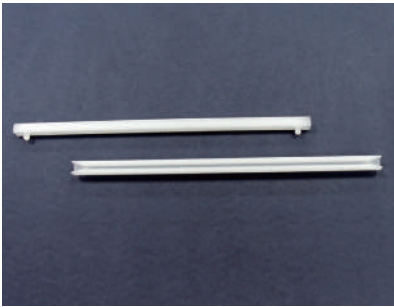
用途：固定PC板於機殼上，安裝方便，免螺絲。



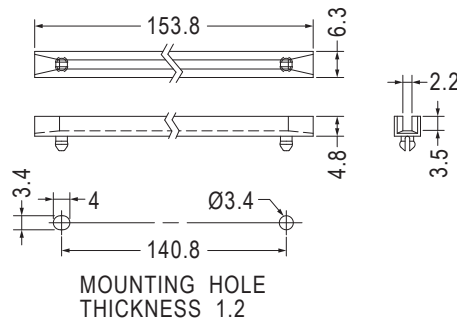
- Material: PC (UL)
- Flame Class: 94V-2
- Color: Black
- Unit: mm



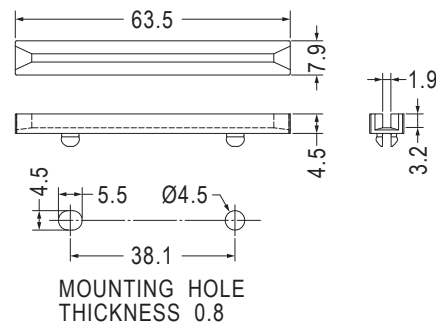
Part No.	Package
CG-15	1000



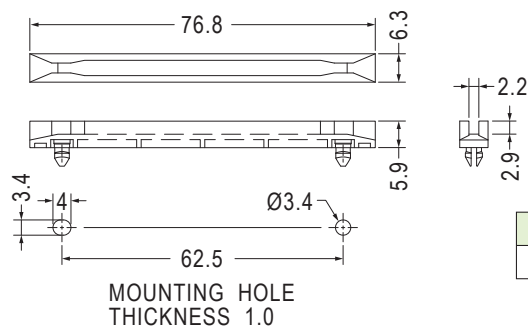
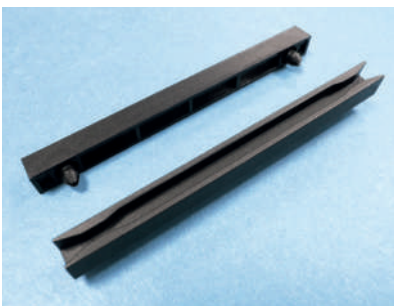
- Material: Nylon 66 (UL)
- Flame Class: 94V-2/94V-0
- Color: Natural/Black
- Unit: mm



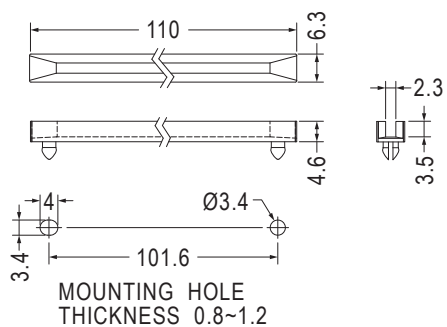
Part No.	Package
CG-153	100



Part No.	Package
CG-63	500



Part No.	Package
CG-77	500



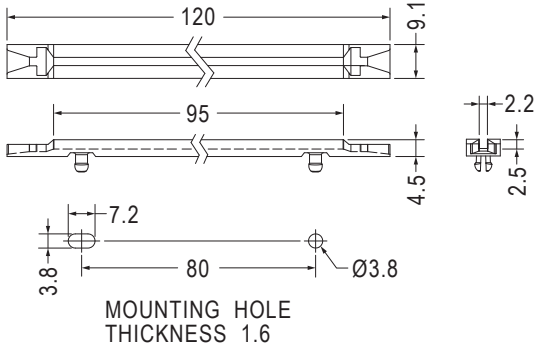
Part No.	Package
CG-110	100

PCB導槽 PCB CARD GUIDE

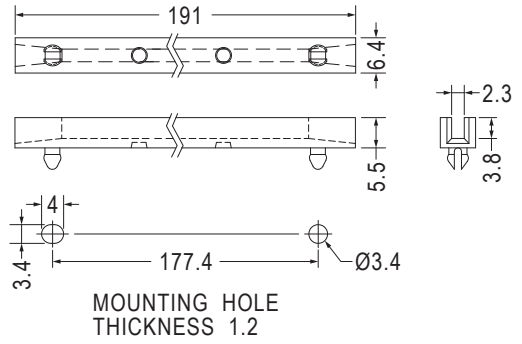
用途：固定PC板於機殼上，安裝方便，免螺絲。



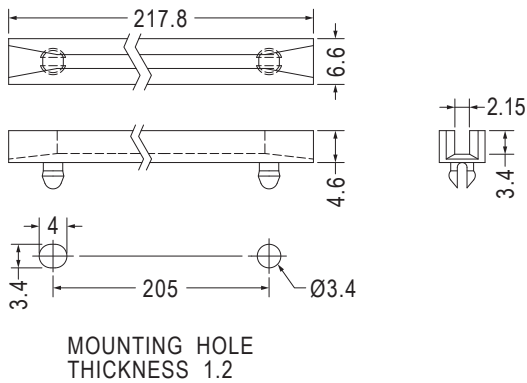
- Material: Nylon 66 (UL)
- Flame Class: 94V-2/94V-0
- Color: Natural/Black
- Unit: mm



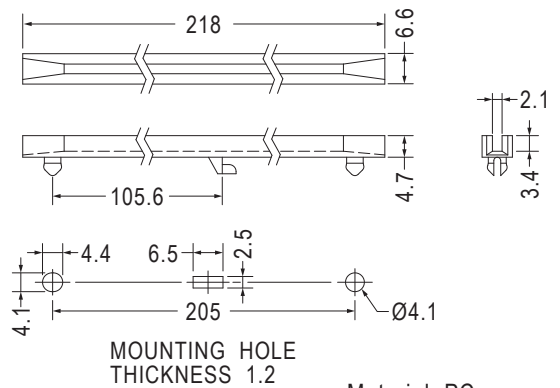
Part No.	Package
CG-120	100



Part No.	Package
CG-191	100

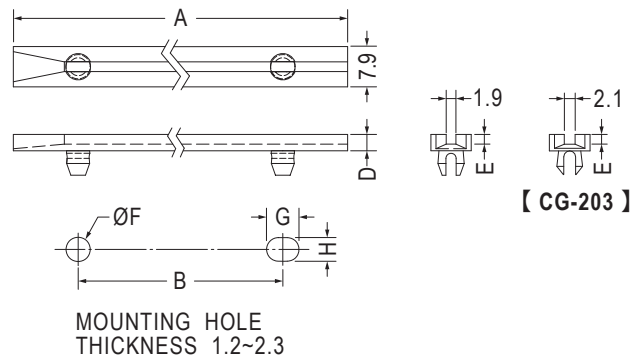
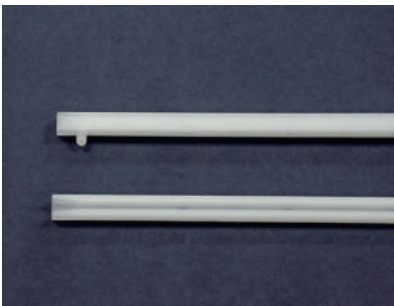


Part No.	Package
CG-218	100



- Material: PC
- Color: Black

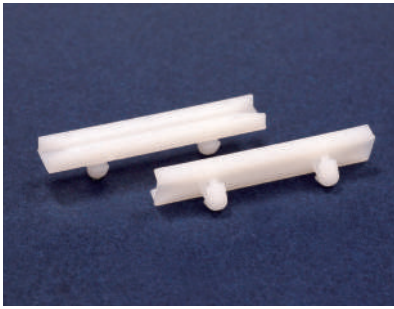
Part No.	Package
CGF-218	100



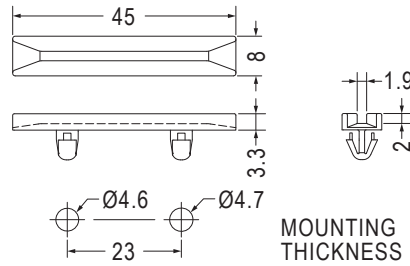
Part No.	A	B	D	E	F	G	H	Package
CG-203	203.2	177.8	3.2	1.9	4.6	5.4	4.6	100
CG-600A	152.4	127.0	3.2	1.9	4.75	6.4	4.62	200
CG-650	164.1	139.7	4.4	3.2	4.6	5.7	4.5	
CG-700	177.8	152.4	3.2	1.9	4.75	6.35	4.62	100
CG-700A	177.8	152.4	3.2	1.9	4.5	5.6	4.4	
CG-750	190.5	165.1	3.2	1.9	4.57	5.71	4.47	

PCB 導槽 PCB CARD GUIDE

用途：固定PC板於機殼上，安裝方便，免螺絲。

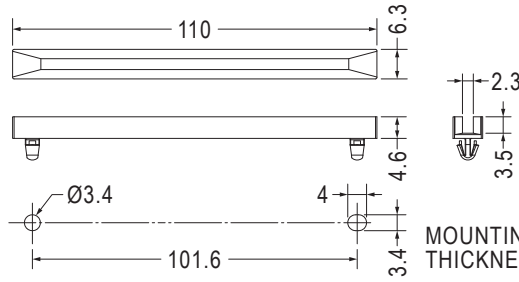


- Material: Nylon 66 (UL)
- Flame Class: 94V-2/94V-0
- Color: Natural/Black
- Unit: mm



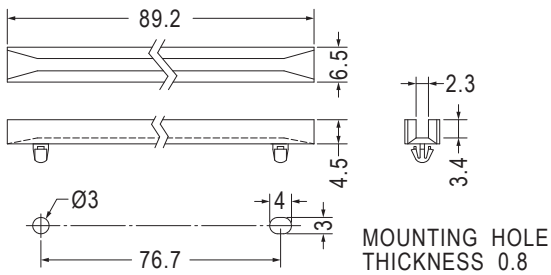
Part No.	Package
CG-45	1000

MOUNTING HOLE THICKNESS 1.6~1.8

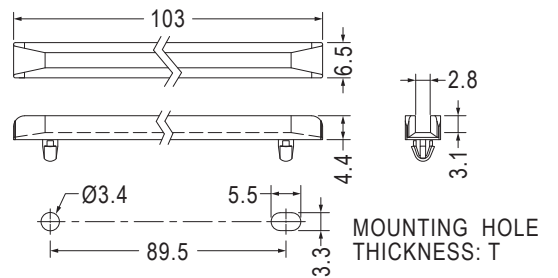


Part No.	Package
CGLJ-110	500

MOUNTING HOLE THICKNESS 1.2



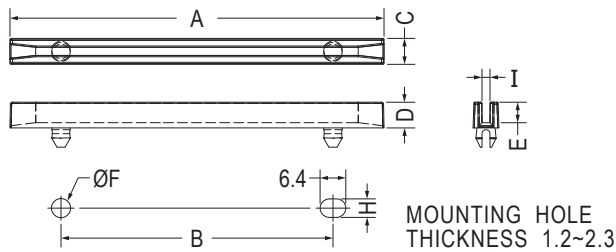
MOUNTING HOLE THICKNESS 0.8



MOUNTING HOLE THICKNESS: T

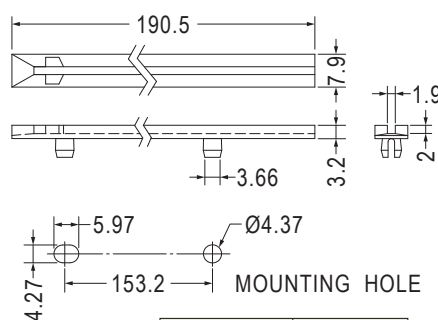
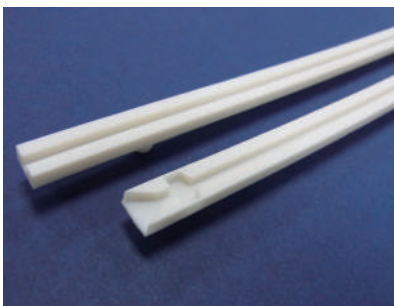
Part No.	Package
CGDLA-350	250

Part No.	T	Package
CGDLA-102	1.0	500
CGDLA-102L	1.5	



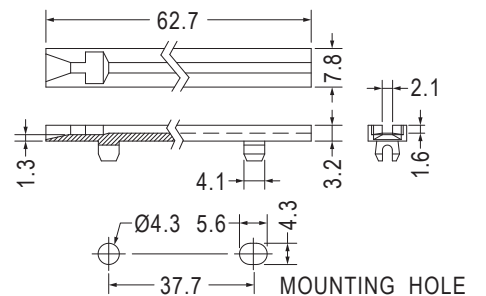
MOUNTING HOLE THICKNESS 1.2~2.3

Part No.	A	B	C	D	E	F	H	I	Package
BCG-250	63.5	38.1	6.35	6.35	5.05	4.8	4.8	2.2	500
BCG-450	114.3	88.9	6.4	6.4	5.1	4.75	4.6	2.0	



MOUNTING HOLE THICKNESS 1.6~1.8

Part No.	Package
FR-190	500

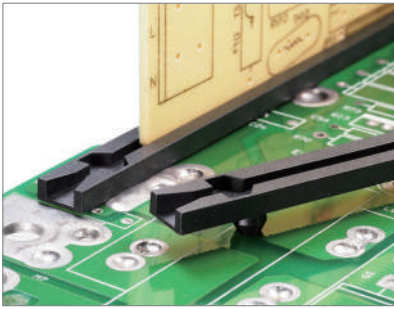


MOUNTING HOLE THICKNESS 1.6~1.8

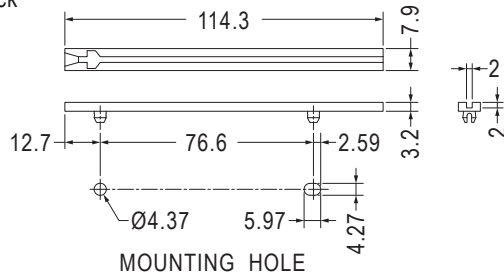
Part No.	Package
FR-250	500

PCB導槽 PCB CARD GUIDE

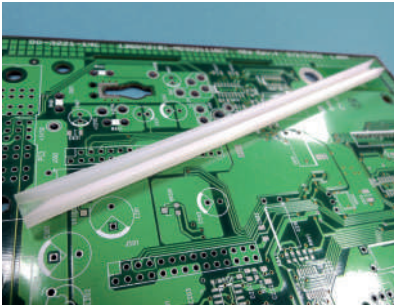
用途：固定PC板於機殼上，安裝方便，免螺絲。



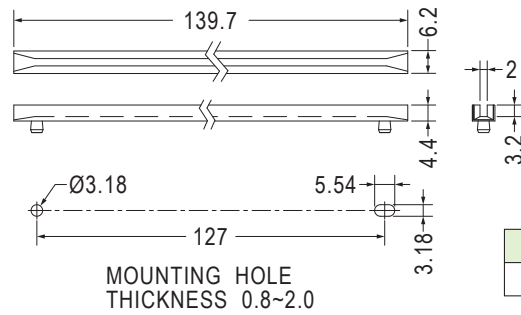
- Material: Nylon 66 (UL)
- Flame Class: 94V-0+GF
- Color: Black
- Unit: mm



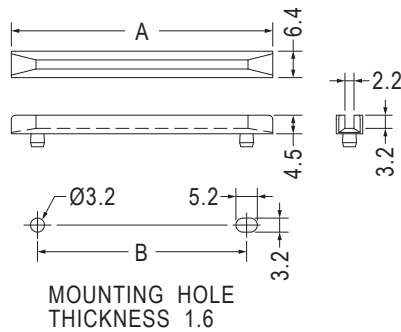
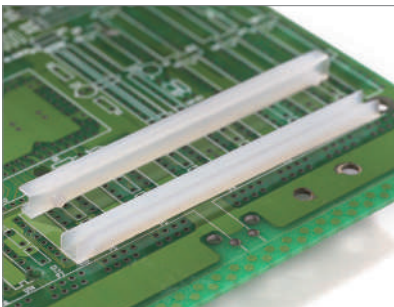
Part No.	Package
CGG-114	250



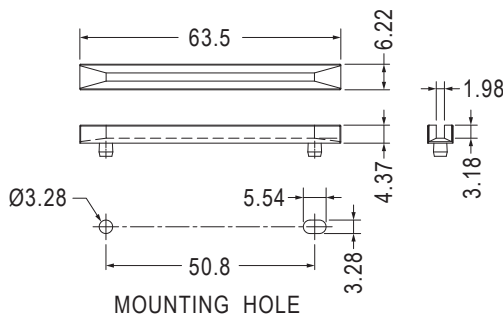
- Material: Nylon 66 (UL)
- Flame Class: 94V-2/94V-0
- Color: Natural/Black
- Unit: mm



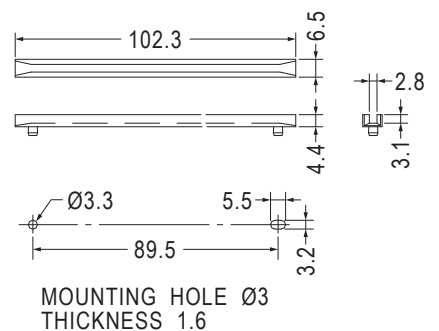
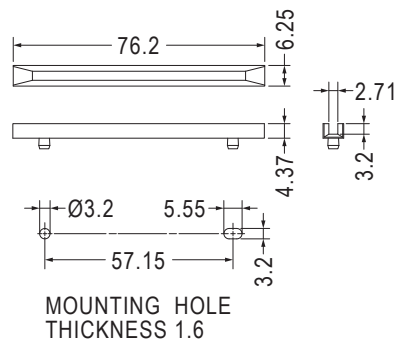
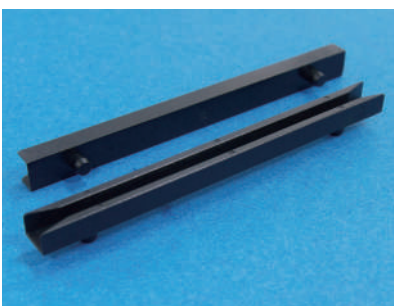
Part No.	Package
CG-140	250



Part No.	A	B	Package
CGA-63	63.5	50.8	500
CGA-89	88.9	76.2	



Part No.	Package
CGA-63S	500



Part No.	Package
CGA-76	500

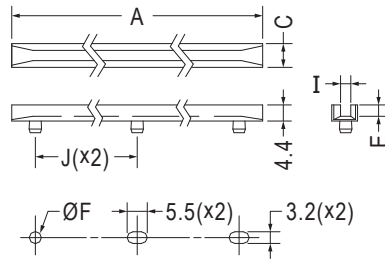
Part No.	Package
CGA-102	250

PCB導槽 PCB CARD GUIDE

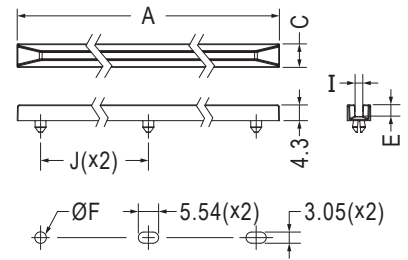
用途：固定PC板於機殼上，安裝方便，免螺絲。



- Material: Nylon 66 (UL)
- Flame Class: 94V-2/94V-0
- Color: Natural/Black
- Unit: mm



MOUNTING HOLE THICKNESS: T



MOUNTING HOLE THICKNESS: T

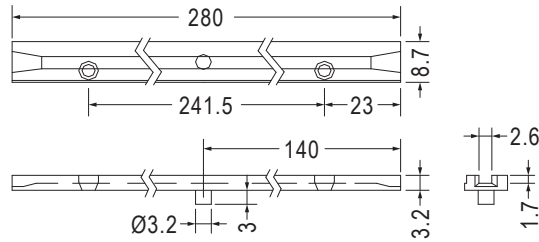
【CGA-178S】

Part No.	A	C	E	F	I	J	T	Package
CGA-178S	177.8	6.4	3.2	3.18	2.0	82.55	1.2~2.2	200
CGA-178	178.5	6.5	3.1	3.3	2.8	83.0	1.2~2.2	100
CGA-203	203.2	6.2	3.2	3.2	2.0	95.2	1.2~2.0	100
CGA-217	217.0	6.5	3.1	3.3	2.8	102.0	1.2~2.2	200



- Material: Nylon 66 (UL)
- Flame Class: 94V-2/94V-0
- Color: Natural/Black
- Unit: mm

用途：用螺絲鎖於機板，固定PC板於機殼上，安裝方便。

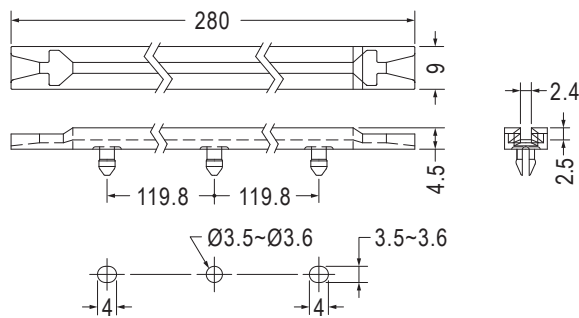


Part No.	Package
CGS-280	100



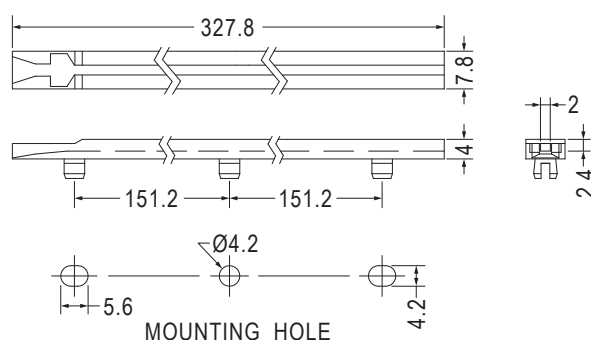
- Material: Nylon 66 (UL)
- Flame Class: 94V-2/94V-0
- Color: Natural/Black
- Unit: mm

用途：固定PC板於機殼上，安裝方便，免螺絲。



MOUNTING HOLE THICKNESS 2.0

Part No.	Package
CG-280	100

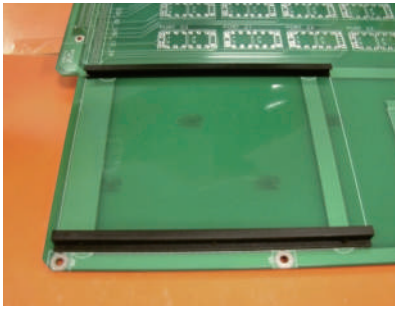


MOUNTING HOLE THICKNESS 2.0

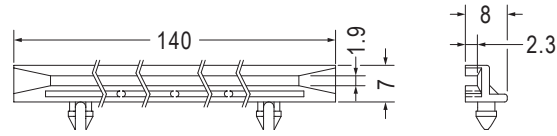
Part No.	Package
FR-1300	100

PCB導槽 PCB CARD GUIDE

用途：固定PC板於機殼上，安裝方便，免螺絲。

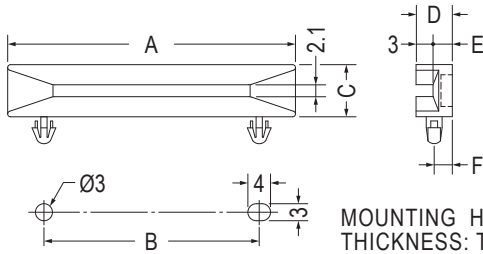
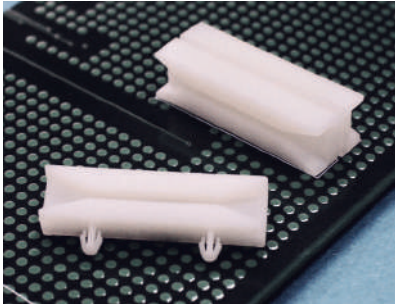


- Material: Nylon 66 (UL)
- Flame Class: 94V-2/94V-0
- Color: Natural/Black
- Unit: mm



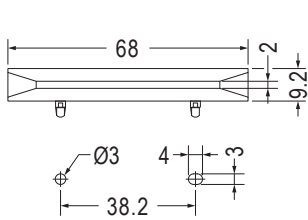
MOUNTING HOLE THICKNESS 1.6

Part No.	Package
CGA-140	100

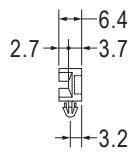


MOUNTING HOLE THICKNESS: T

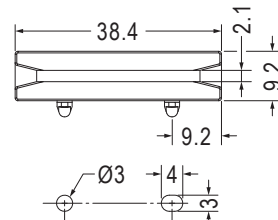
Part No.	A	B	C	D	E	F	T	Package
CGLA-4	38.4	20.0	9.2	6.4	3.4	3.2	1.6~1.7	500
CGLA-4(1)	38.4	20.0	9.2	6.4	3.4	3.2	1.0	
CGLA-4(2)	38.4	20.0	9.2	6.4	3.4	3.2	2.0	
CGLA-4S	40.0	20.0	8.0	6.0	3.0	3.0	1.6	
CGLA-6	51.0	38.2	9.2	6.4	3.4	3.2	1.6~1.7	250
CGLA-8	81.0	60.0	8.0	6.0	3.0	3.0	1.6~1.8	
CGLA-8(2)	81.0	60.0	8.0	6.0	3.0	3.0	1.8~2.1	
CGLA-8(8)	81.0	60.0	8.0	6.0	3.0	3.0	1.8	
CGLA-8(25)	81.0	60.0	8.0	6.0	3.0	3.0	2.5	
CGLA-9(1)	91.5	71.0	8.0	6.0	3.0	3.0	1.6~1.8	
CGLA-9(2)	91.5	71.0	8.0	6.0	3.0	3.0	1.8~2.1	



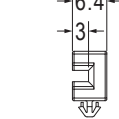
MOUNTING HOLE THICKNESS 1.6



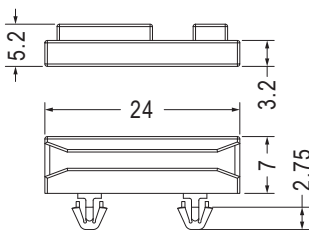
Part No.	Package
CGLA-10	200



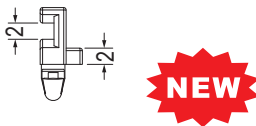
MOUNTING HOLE THICKNESS 1.0



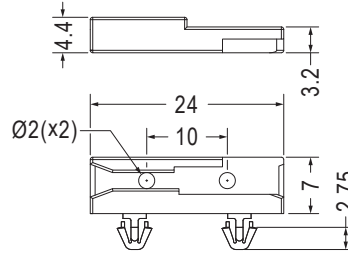
Part No.	Package
CGLA-11	500



MOUNTING HOLE THICKNESS 1.6



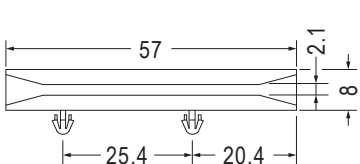
Part No.	Package
CGLR-1	500



MOUNTING HOLE THICKNESS 1.6

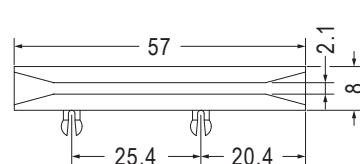


Part No.	Package
CGLR-2	500



MOUNTING HOLE Ø3.0 THICKNESS 1.8

Part No.	Package
CGDLA-57	500

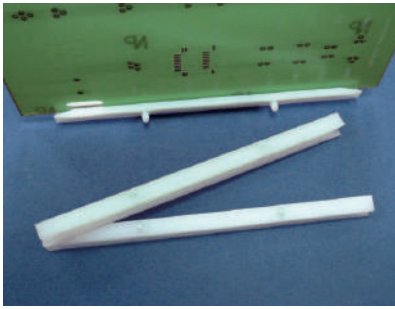


MOUNTING HOLE Ø3.0 THICKNESS 1.8

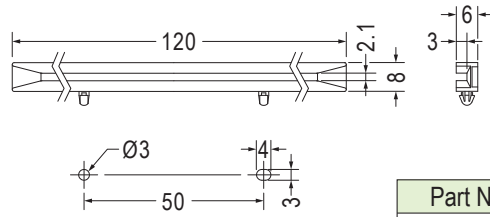
Part No.	Package
CGDLB-57	500

PCB 導槽 PCB CARD GUIDE

用途：固定PC板於機殼上，安裝方便，免螺絲。

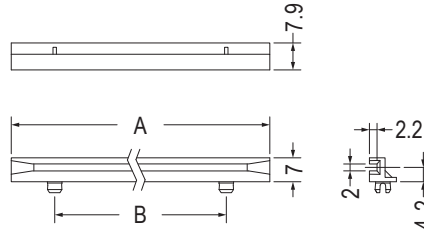
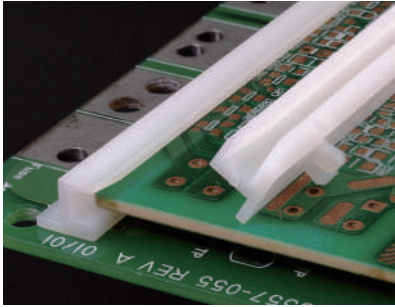


- Material: Nylon 66 (UL)
- Flame Class: 94V-2/94V-0
- Color: Natural/Black
- Unit: mm



MOUNTING HOLE THICKNESS: T

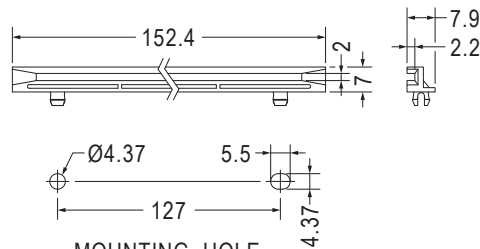
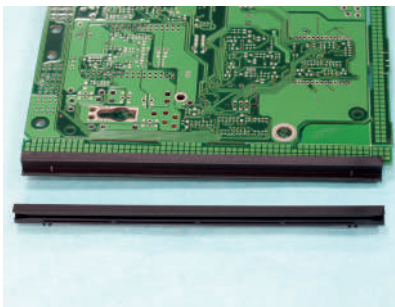
Part No.	T	Package
CGLC-120	1.6~1.8	200
CGLC-120S	1.0	



MOUNTING HOLE Ø4.39 THICKNESS 1.27

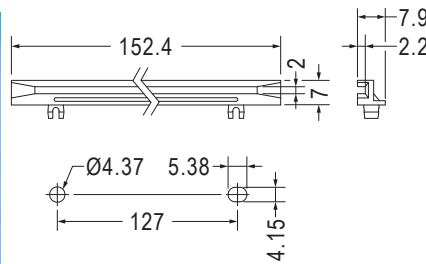
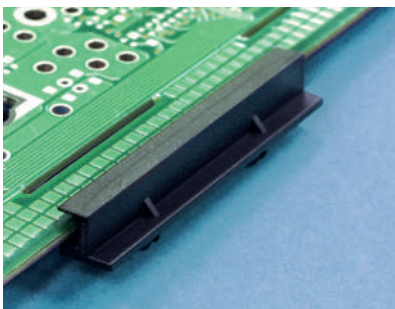


Part No.	A	B	Package
CGLQC101	101.6	76.2	250
CGLQC152	152.4	126.9	

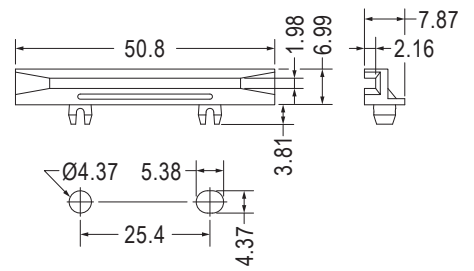


MOUNTING HOLE THICKNESS 1.2~2.0

Part No.	Package
CGLQ-153	250



MOUNTING HOLE THICKNESS 1.2~2.3



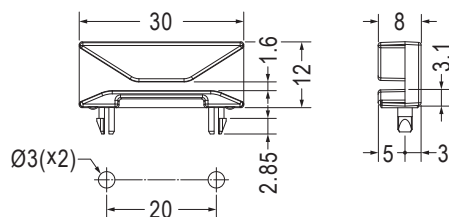
MOUNTING HOLE THICKNESS 1.2~2.3

Part No.	Package
CGLC-153	250

Part No.	Package
CGLC-50.8	1000



- Material: ABS (UL)
- Flame Class: 94V-0
- Color: Black
- Unit: mm

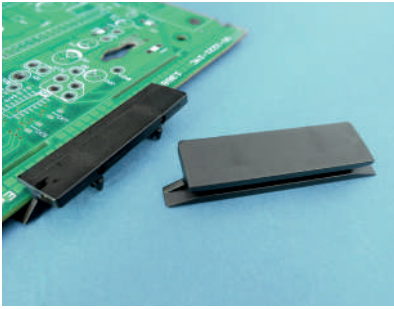


MOUNTING HOLE THICKNESS 1.6

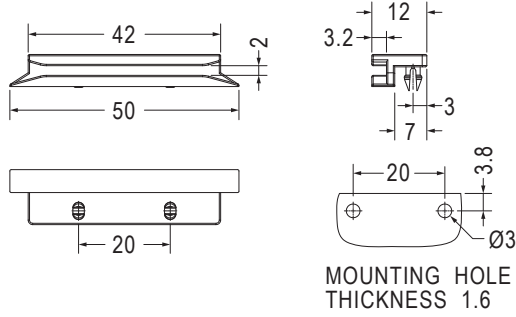
Part No.	Package
CG-30	500

PCB導槽 PCB CARD GUIDE

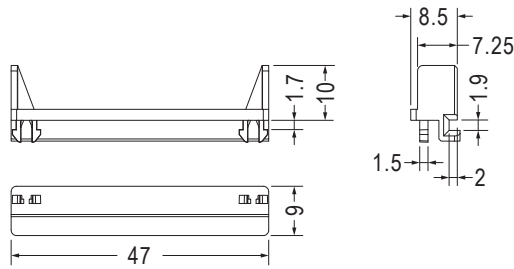
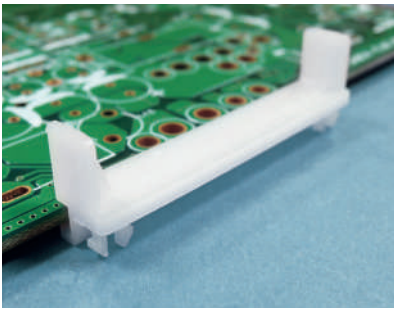
用途：固定PC板於機殼上，安裝方便，免螺絲。



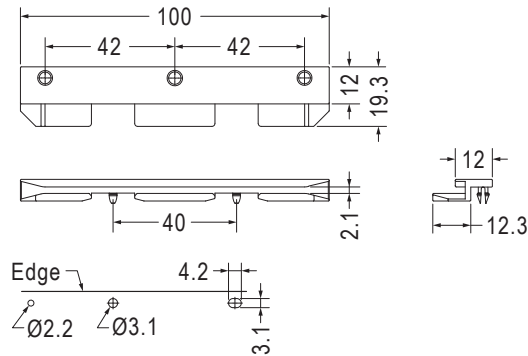
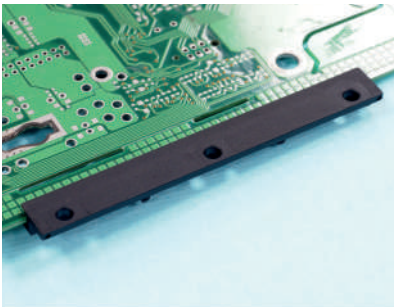
- Material: Nylon 66 (UL)
- Flame Class: 94V-2/94V-0
- Color: Natural/Black
- Unit: mm



Part No.	Package
CGLD-50	500

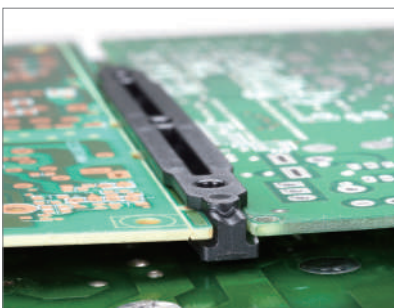


Part No.	Package
CGLG-47	1000



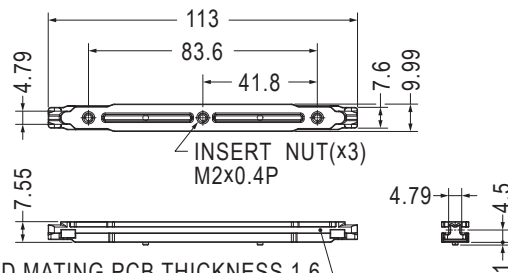
RECOMMEND MOUNTING HOLE
RECOMMEND THICKNESS 1.6

Part No.	Package
CGLI-100	1000

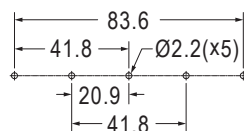


- Body Material: PC+ABS (UL)
- Nut Material: Brass
- Flame Class: 94V-0
- Color: Black
- Unit: mm

用途：固定OCP3.0板於機殼或PC板上，安裝方便。



RECOMMEND MATING PCB THICKNESS 1.6

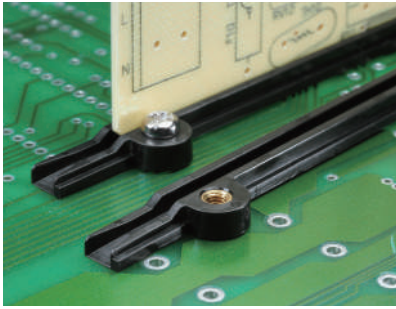


RECOMMEND MOUNTING HOLE IN HOST PCB

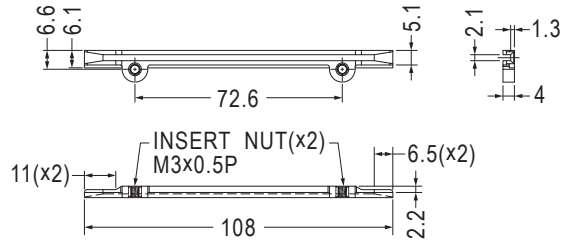
Part No.	Package
CGLM-7-M2	250

PCB導槽 PCB CARD GUIDE

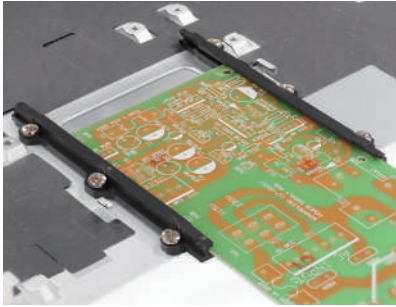
用途：固定OCP3.0板於機殼或PC板上，安裝方便。



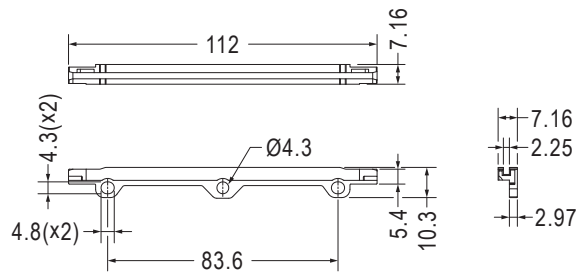
- Material: PC+ABS (UL)
- Flame Class: 94V-0
- Color: Black
- Unit: mm



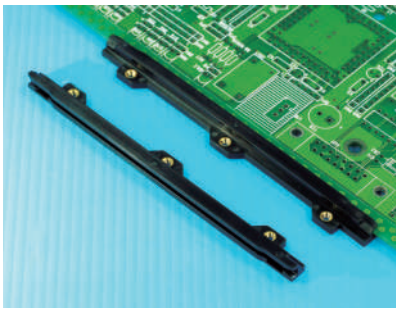
Part No.	Package
CGLN-10	250



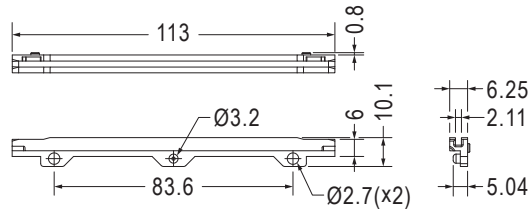
- Material: Nylon 66 (UL)
- Flame Class: 94V-0
- Color: Black
- Unit: mm



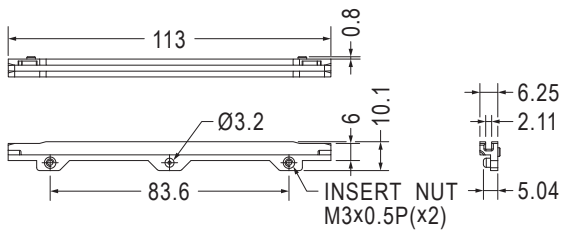
Part No.	Package
CGLN-9	250



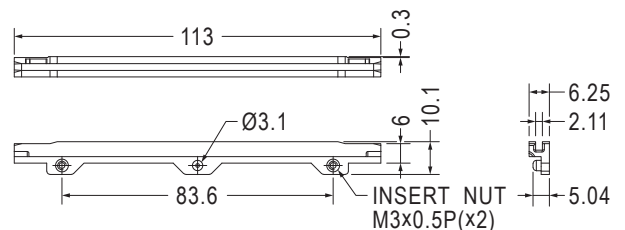
- Material: PC+ABS (UL)
- Flame Class: 94V-0
- Color: Black
- Unit: mm



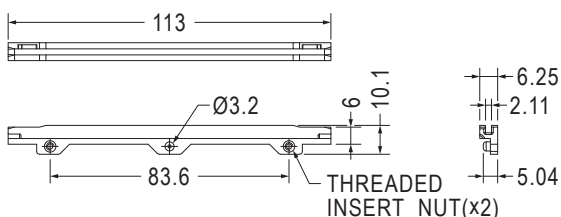
Part No.	Package
CGLM-1N	250



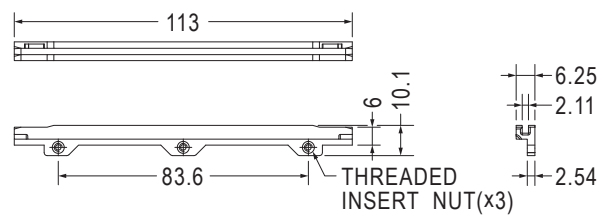
Part No.	Package
CGLM-1	250



Part No.	Package
CGLM-2	250



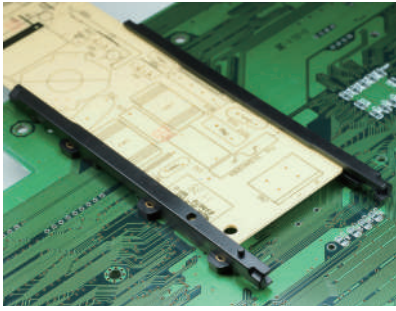
Part No.	Thread	Package
CGLM-113	M3x0.5P	250
CGLM-113-M2	M2x0.4P	



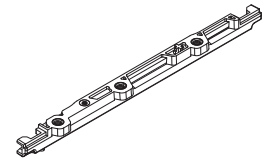
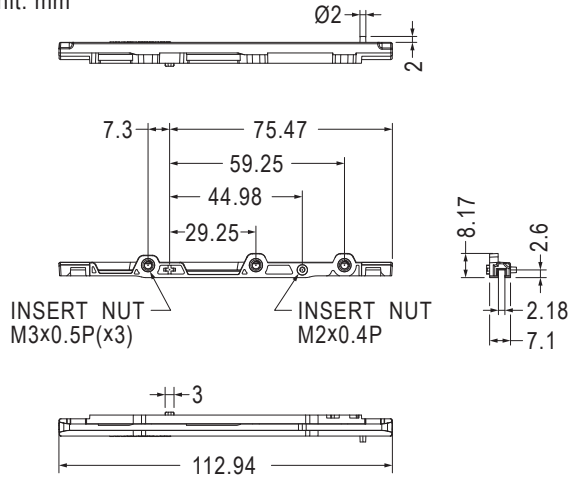
Part No.	Thread	Package
CGLN-113	M3x0.5P	250
CGLN-113-M2	M2x0.4P	

PCB 導槽 PCB CARD GUIDE

用途：固定 OCP3.0 板於機殼或 PC 板上，安裝方便。

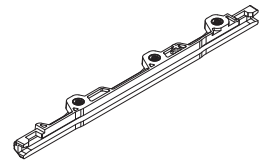
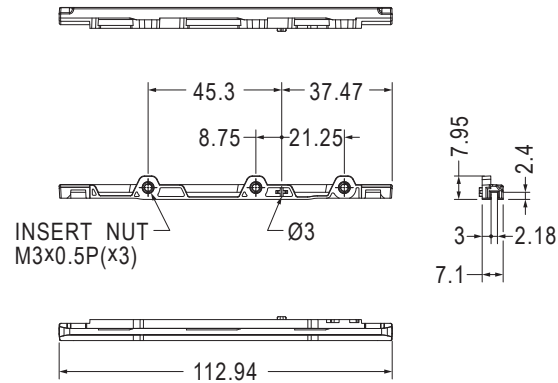
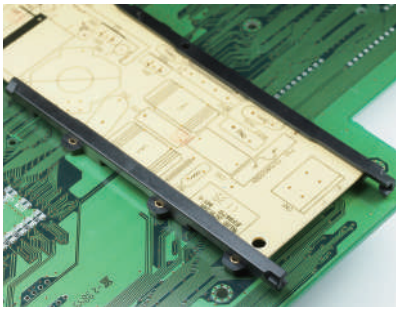


- Material: PC+ABS
- Color: Black
- Unit: mm



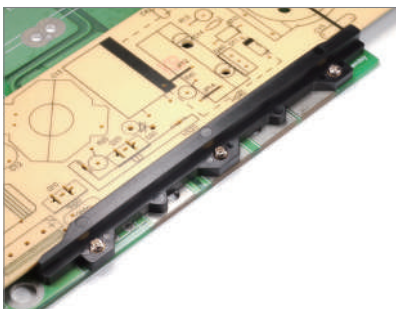
NEW

Part No.	Package
CGLM-10L	250

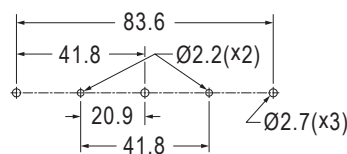
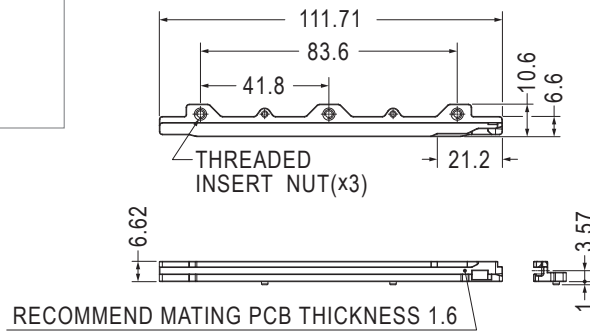


NEW

Part No.	Package
CGLM-10R	250



- Body Material: PC+ABS (UL)
- Nut Material: Brass
- Flame Class: 94V-0
- Color: Black
- Unit: mm

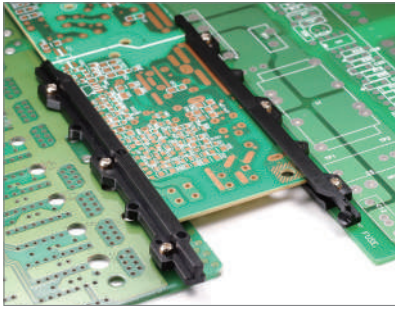


RECOMMEND MOUNTING HOLE IN HOST PCB

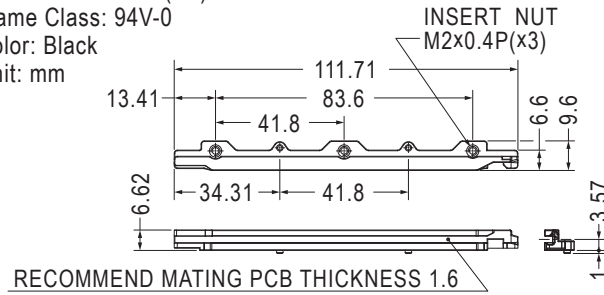
Part No.	Thread	Package
CGLM-5	M3x0.5P	250
CGLM-5-M2	M2x0.4P	

PCB 導槽 PCB CARD GUIDE

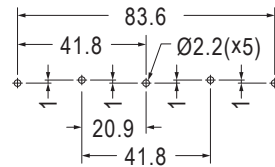
用途：固定 OCP3.0 板於機殼或 PC 板上，安裝方便。



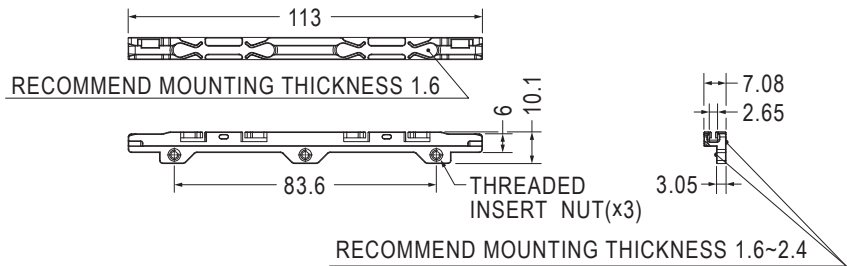
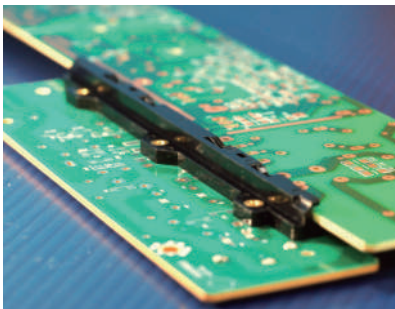
- Material: PC+ABS (UL)
- Flame Class: 94V-0
- Color: Black
- Unit: mm



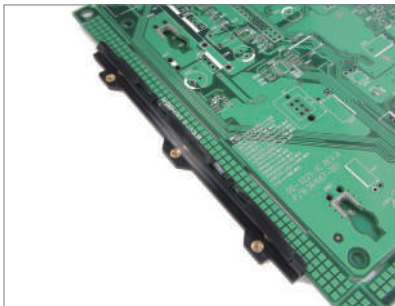
Part No.	Package
CGLM-8-M2	250



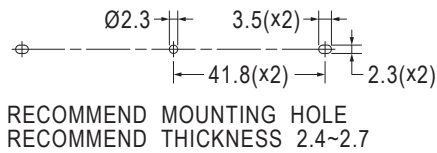
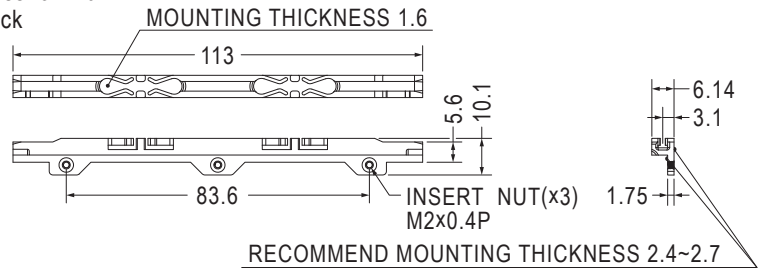
RECOMMEND MOUNTING HOLE IN HOST PCB



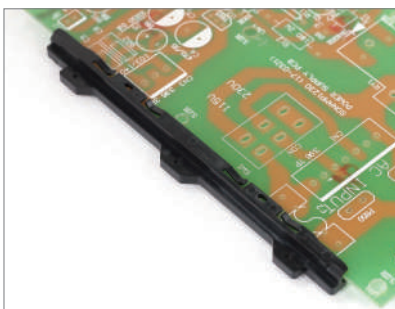
Part No.	Thread	Package
CGLN-2	M3x0.5P	250
CGLN-2-M2	M2x0.4P	



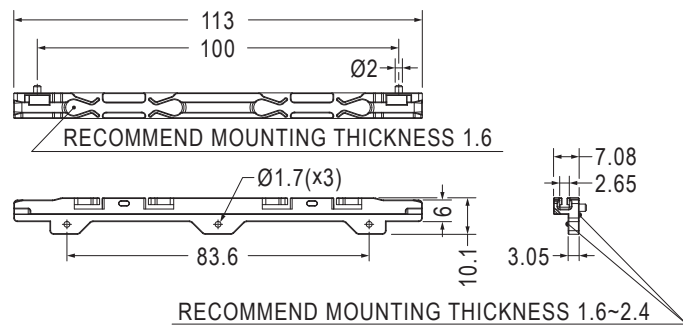
- Material: PC+ABS (UL)
- Nut Material: Brass
- Flame Class: 94V-0
- Color: Black
- Unit: mm



Part No.	Package
CGLN-6-M2	250



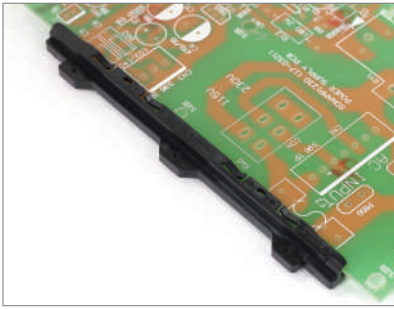
- Material: PC+ABS (UL)
- Flame Class: 94V-0
- Color: Black
- Unit: mm



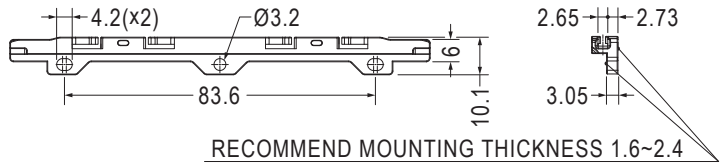
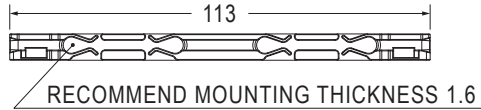
Part No.	Package
CGLN-3	250

PCB 導槽 PCB CARD GUIDE

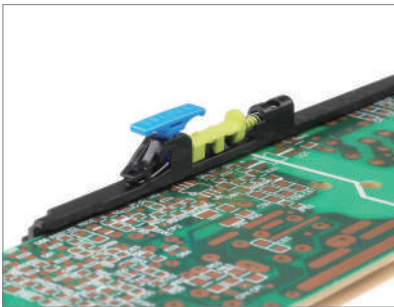
用途：固定 OCP3.0 板於機殼或 PC 板上，安裝方便。



- Material: PC+ABS (UL)
- Flame Class: 94V-0
- Color: Black
- Unit: mm



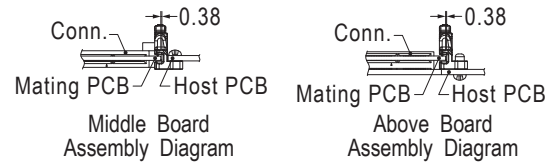
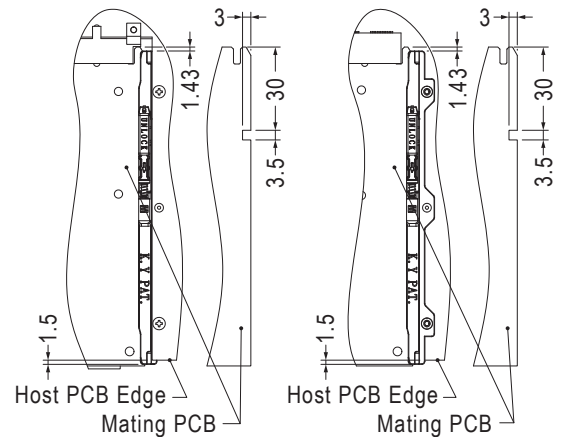
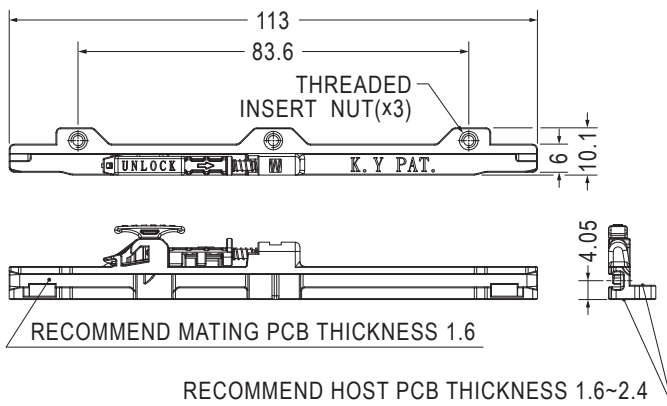
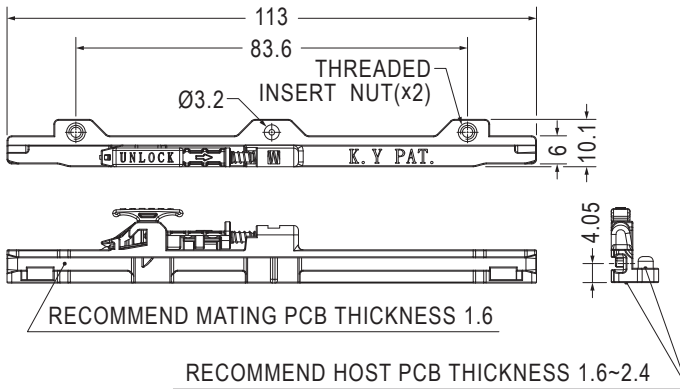
Part No.	Package
CGLN-5	250



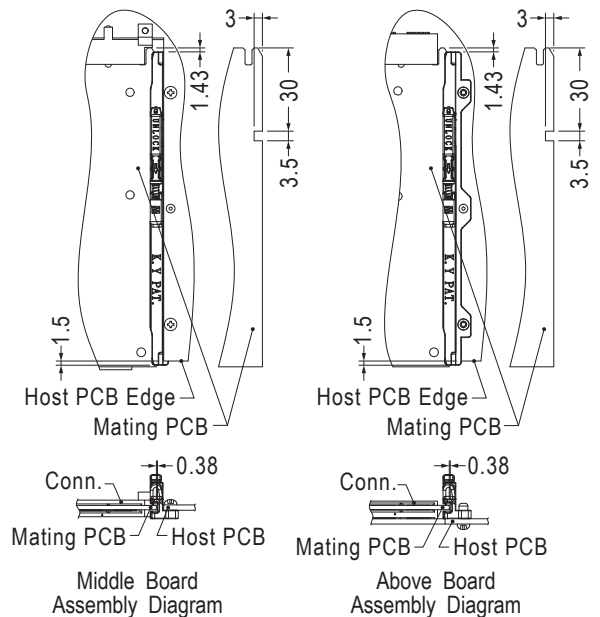
- Material: PC+ABS (UL)
- Flame Class: 94V-0
- Spring Material: SUS
- Color: Black
- Unit: mm
- Patented (專利品)



使用說明
Installation Guide



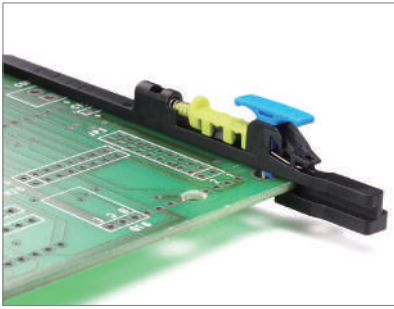
Part No.	Thread	Package
CGLP-3F	M3x0.5P	100
CGLP-3F-M2	M2x0.4P	



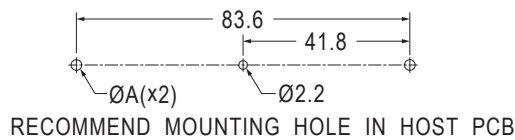
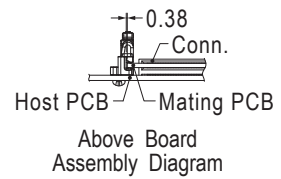
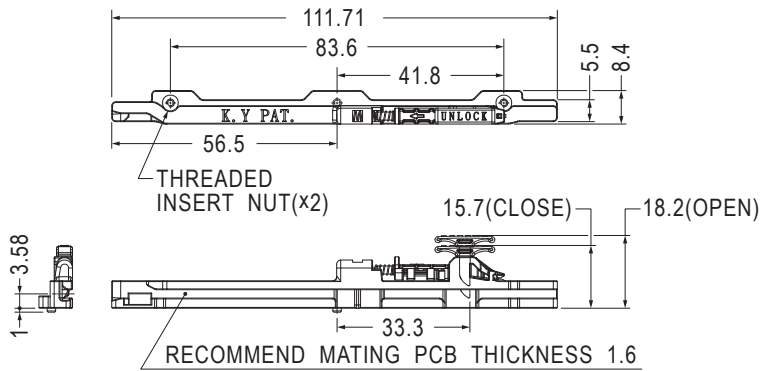
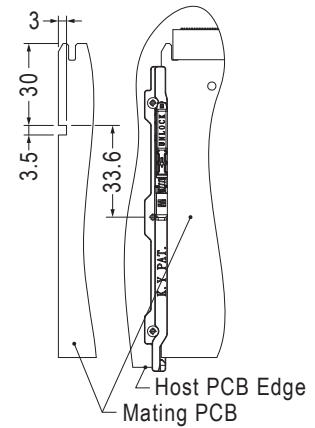
Part No.	Thread	Package
CGLP-5F	M3x0.5P	100
CGLP-5F-M2	M2x0.4P	

PCB 導槽 PCB CARD GUIDE

用途：固定 OCP3.0 板於機殼或 PC 板上，安裝方便。

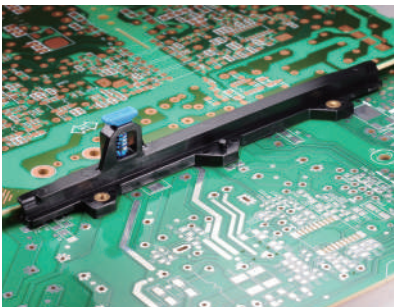


- Material: PC+ABS (UL)
- Flame Class: 94V-0
- Spring Material: SUS
- Color: Black
- Unit: mm
- Patented (專利品)



NEW

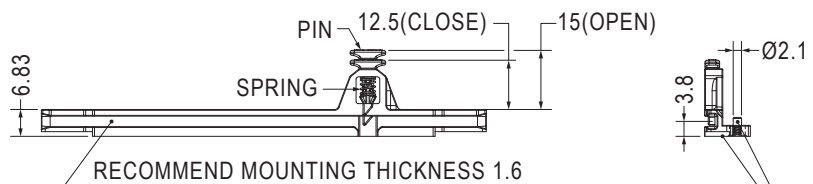
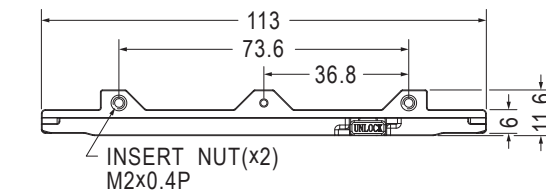
Part No.	A	Thread	Package
CGLP-7F	3.7	M3x0.5P	100
CGLP-7F-M2	2.7	M2x0.4P	



- Material: PC+ABS (UL)
- Pin Material: Nylon 66 (UL)
- Flame Class: 94V-0
- Nut Material: Brass
- Spring Material: Nickel Plated SWP
- Color: Black
- Pin Color: Blue
- Unit: mm
- Patented (專利品)



使用說明
Installation Guide

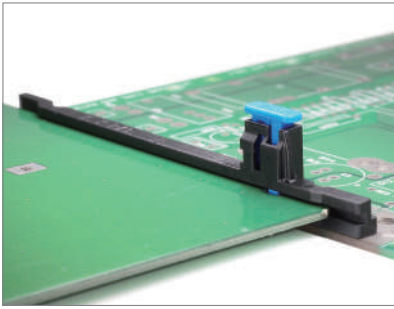


RECOMMEND MOUNTING THICKNESS 1.6~2.4

Part No.	Package
CGLP-4F-M2	100

PCB導槽 PCB CARD GUIDE

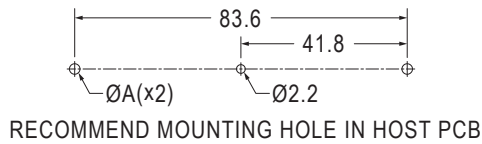
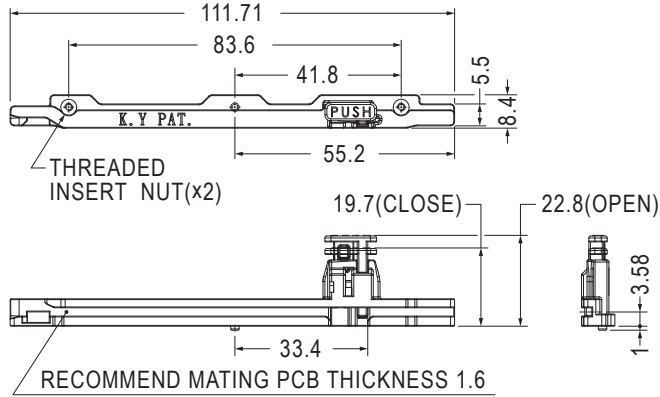
用途：固定OCP3.0板於機殼或PC板上，安裝方便。



- Material: PC+ABS (UL)
- Flame Class: 94V-0
- Nut Material: Brass
- Body Color: Black
- Pin Color: Blue
- Unit: mm
- Patented Under Process (專利申請中)

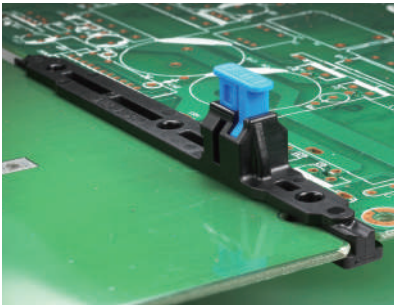


使用說明
Installation Guide



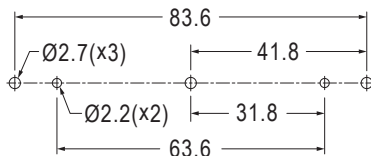
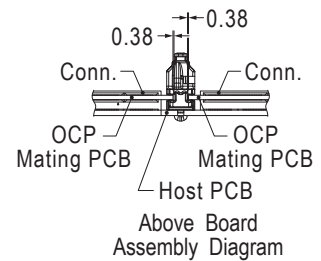
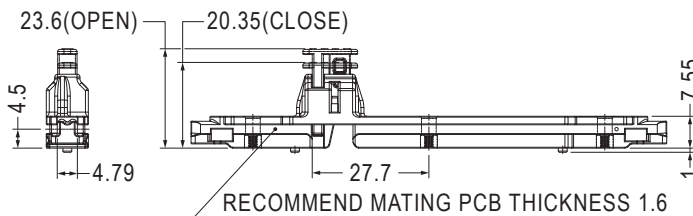
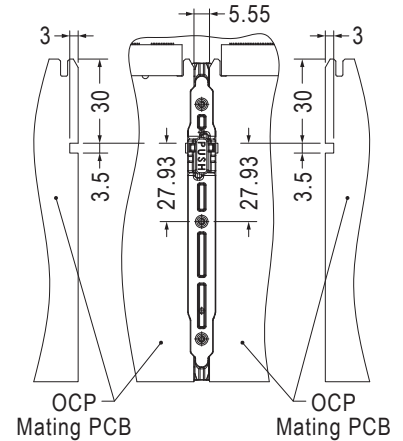
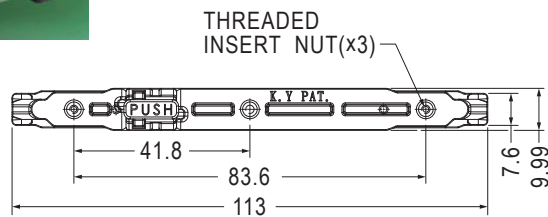
RECOMMEND MOUNTING HOLE IN HOST PCB

Part No.	A	Thread	Package
★ CGLP-8F	3.7	M3x0.5P	100
CGLP-8F-M2	2.7	M2x0.4P	



- Material: PC+ABS (UL)
- Flame Class: 94V-0
- Nut Material: Brass
- Body Color: Black
- Pin Color: Blue
- Unit: mm
- Patented Under Process (專利申請中)

用途：固定左右兩片OCP3.0板於機殼或PC板上，安裝方便。

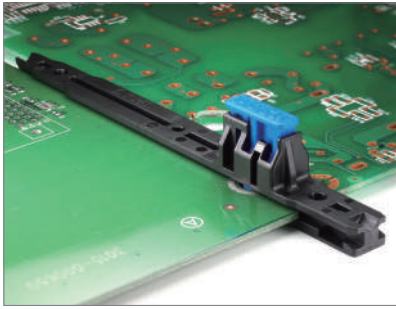


RECOMMEND MOUNTING HOLE IN HOST PCB

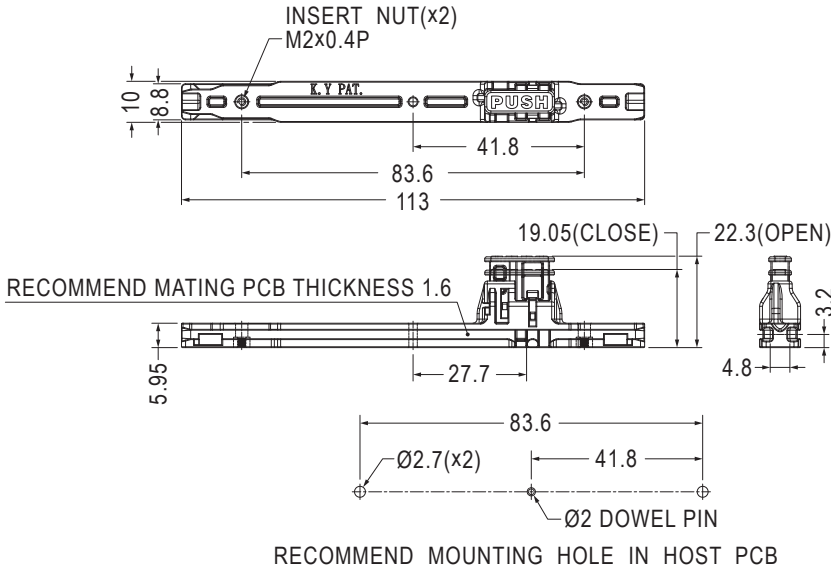


Part No.	Package
CGLP-11F-M2	100

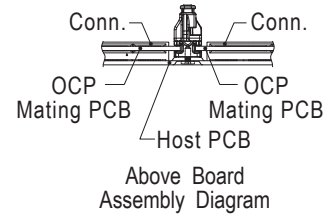
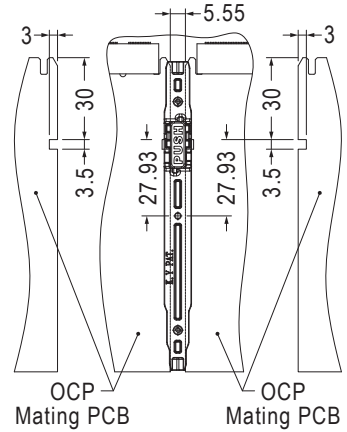
PCB 導槽 PCB CARD GUIDE



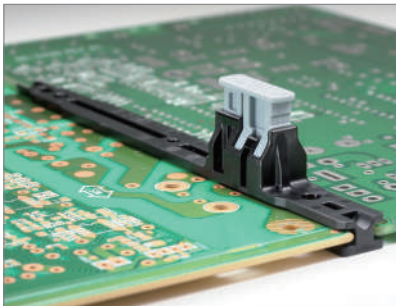
- Material: PC+ABS (UL)
- Flame Class: 94V-0
- Nut Material: Brass
- Body Color: Black
- Pin Color: Blue
- Unit: mm
- Patented Under Process (專利申請中)



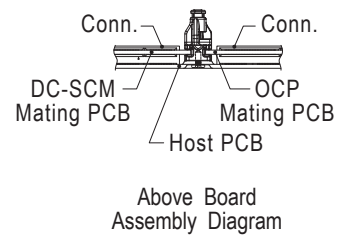
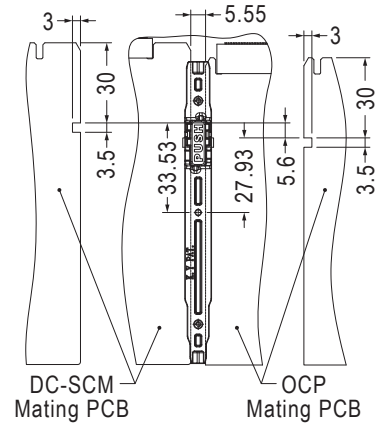
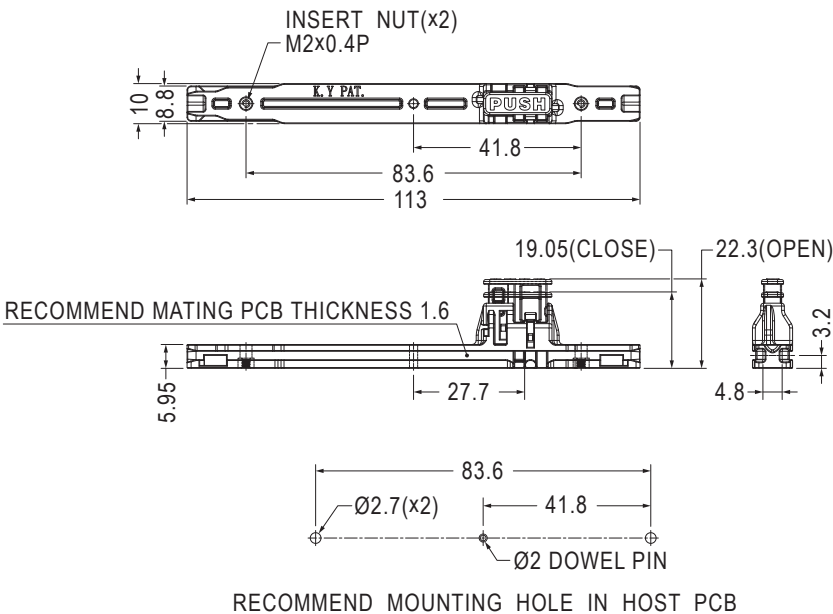
用途：固定左右兩片OCP3.0板於機殼或PC板上，安裝方便。



Part No.	Package
CGLP-12F-M2	100



- Material: PC+ABS (UL)
- Flame Class: 94V-0
- Nut Material: Brass
- Body Color: Black
- Pin Color: Gray
- Unit: mm
- Patented Under Process (專利申請中)

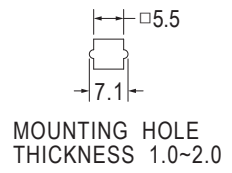
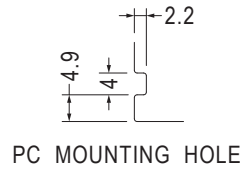
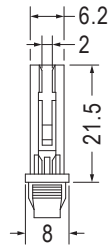
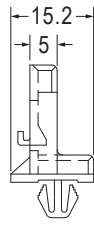
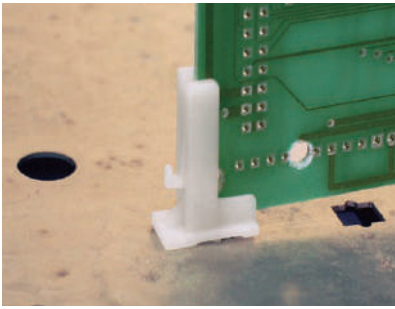


Part No.	Package
CGLP-13F-M2	100

PCB 導槽 PCB CARD GUIDE

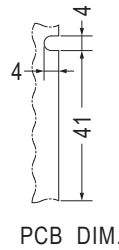
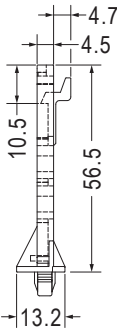
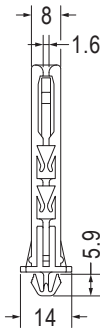
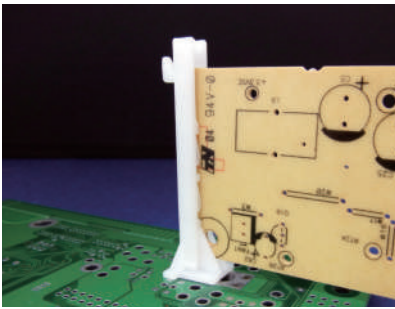
用途：固定PC板於機殼或PC板上，安裝方便，免螺絲。

- Material: Nylon 66 (UL)
- Flame Class: 94V-2/94V-0
- Color: Natural/Black
- Unit: mm



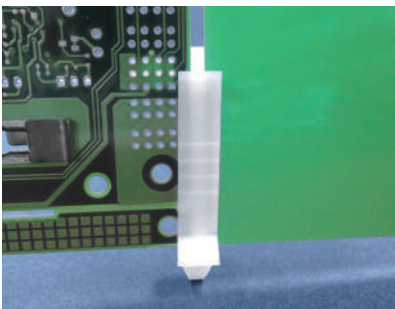
MOUNTING HOLE THICKNESS 1.0~2.0

Part No.	Package
CGH-1	500

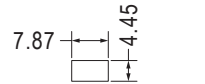
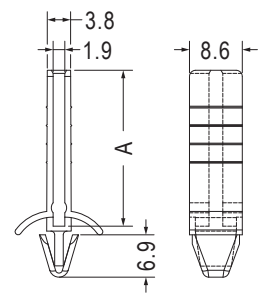
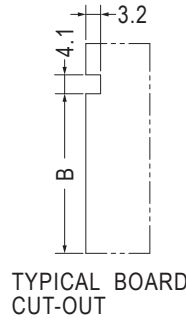
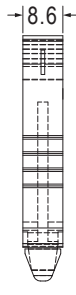
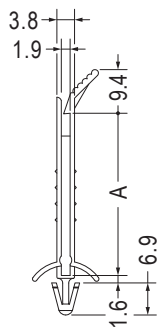


MOUNTING HOLE THICKNESS 2.0

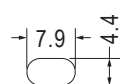
Part No.	Package
CGHI-1	500



PCB THICKNESS 1.6



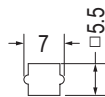
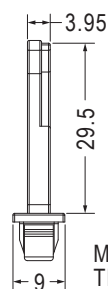
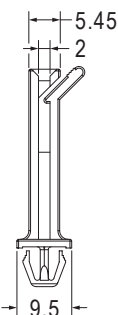
MOUNTING HOLE THICKNESS 0.76~1.78



MOUNTING HOLE THICKNESS 0.8~1.8

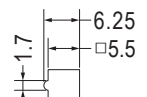
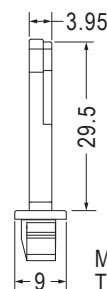
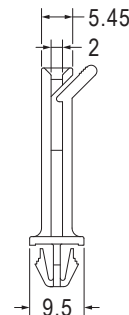
Part No.	A	B	Package
CGHE-22.4	22.4	22.0	500
CGHE-34.9	34.9	34.5	
CGHE-47.5	47.5	47.1	
CGHE-73	73.0	72.6	

Part No.	A	Package
CGHC-25.4	25.4	500
CGHC-38.1	38.1	
CGHC-50.8	50.8	
CGHC-76.2	76.2	



MOUNTING HOLE THICKNESS 1.2~1.8

Part No.	Package
CGH-31	500

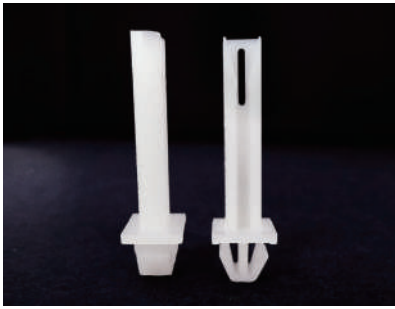


MOUNTING HOLE THICKNESS 2.0~3.0

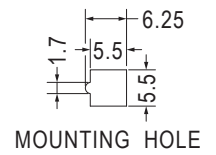
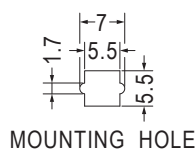
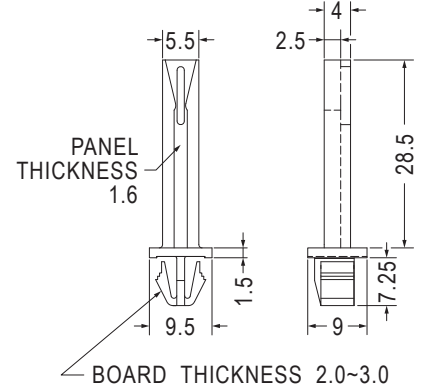
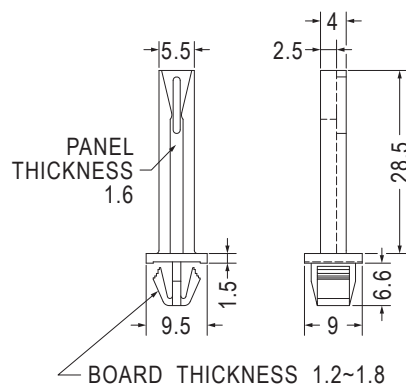
Part No.	Package
CGH-31L	500

PCB導槽 PCB CARD GUIDE

用途：固定PC板於機殼或PC板上，安裝方便，免螺絲。

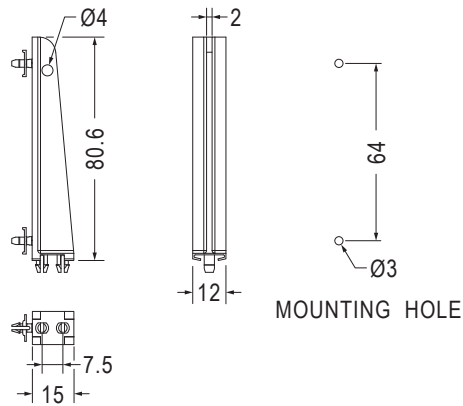
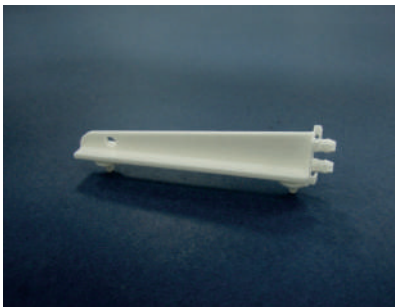


- Material: Nylon 66 (UL)
- Flame Class: 94V-0
- Color: Natural/Black
- Unit: mm



Part No.	Package
CGH-37	1000

Part No.	Package
CGH-37L	1000

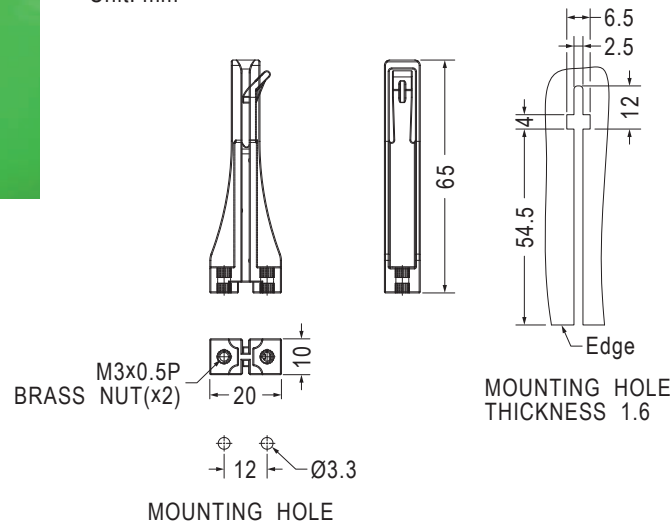


Part No.	Package
CGC-1	250



- Material: PC+ABS (UL)
- Flame Class: 94V-2
- Color: Black/Blue
- Unit: mm

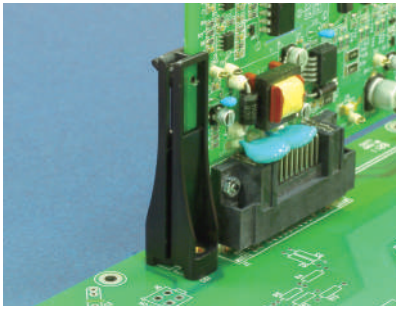
用途：配合螺絲固定PC板於機殼或PC板上，安裝牢固，不脫落。



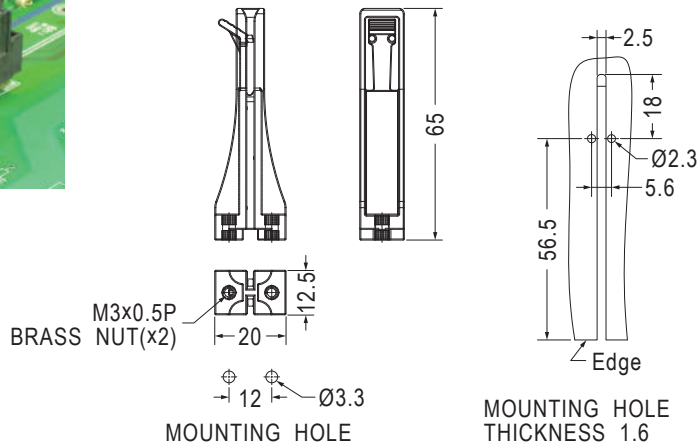
Part No.	Package
CGHA-65	500

PCB 導槽 PCB CARD GUIDE

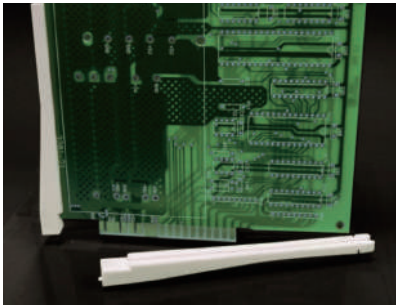
用途：配合螺絲固定PC板於機殼或PC板上，安裝牢固，不脫落。



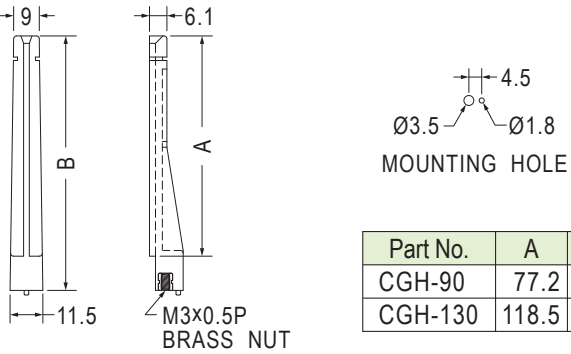
- Material: PC+ABS (UL)
- Flame Class: 94V-2/94V-0
- Color: Black/Blue
- Unit: mm



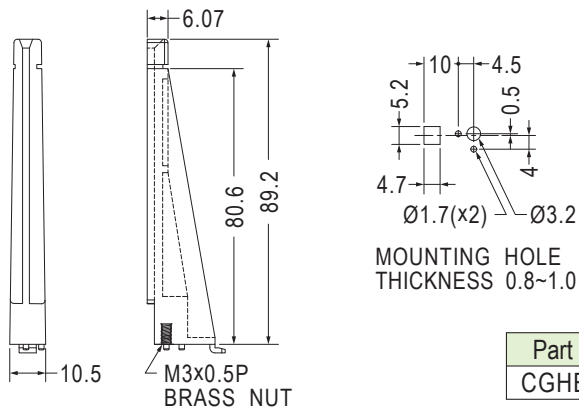
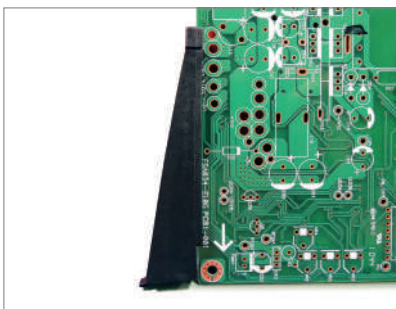
Part No.	Package
CGHB-65	500



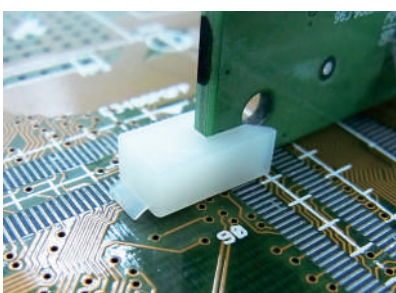
- Material: Nylon 66 (UL)
- Flame Class: 94V-2/94V-0
- Color: Natural/Black
- Unit: mm



Part No.	A	B	Package
CGH-90	77.2	89.2	200
CGH-130	118.5	130.0	100

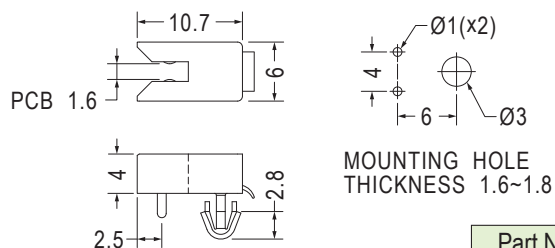


Part No.	Package
CGHB-90	1000



- Material: Nylon 66 (UL)
- Flame Class: 94V-2/94V-0
- Color: Natural/Black
- Unit: mm

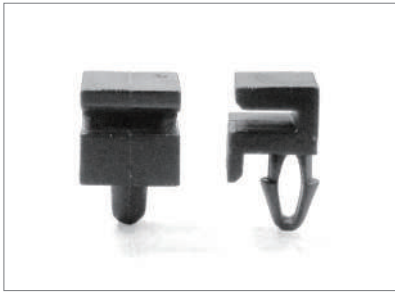
用途：固定PC板於機板上，成90°不晃動。



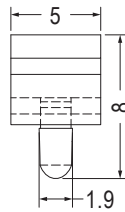
Part No.	Package
ULCG-1	1000

PCB導槽 PCB CARD GUIDE

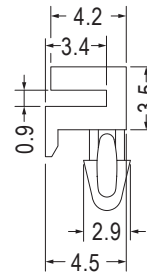
用途：固定PC板於機殼上，安裝方便，免螺絲。



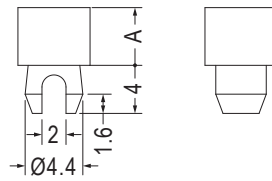
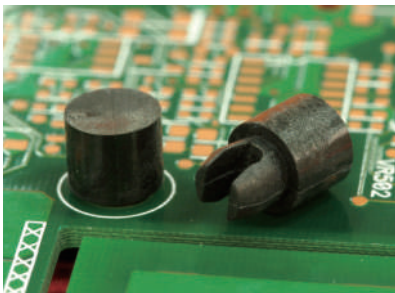
- Material: Nylon 66 (UL)
- Flame Class: 94V-2/94V-0
- Color: Natural/Black
- Unit: mm



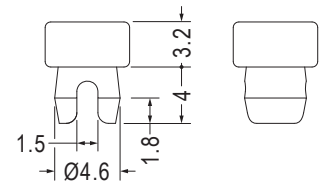
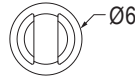
MOUNTING HOLE $\varnothing 2.2$
THICKNESS 1.6



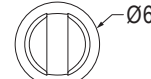
Part No.	Package
ULCG-2	1000



MOUNTING HOLE $\varnothing 4.3$
THICKNESS 1.6~2.0



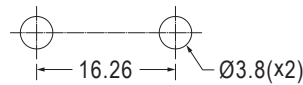
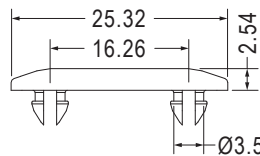
MOUNTING HOLE $\varnothing 4.5$
THICKNESS 1.6



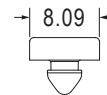
Part No.	A	Package
CGB-2	2.0	2000
CGB-6	4.8	

- Flame Class: 94HB
- Color: Black

Part No.	Package
CGB-3.2	2000



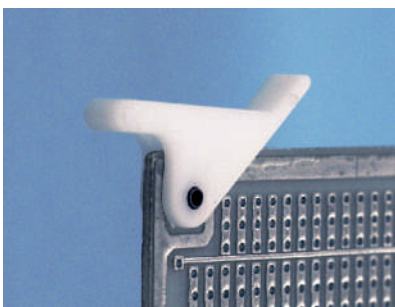
MOUNTING HOLE
THICKNESS 1.2



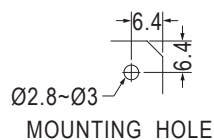
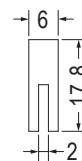
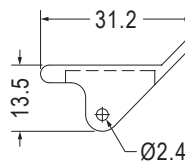
Part No.	Package
INTEC-1	500

PCB拉柄 PCB CARD PULLER

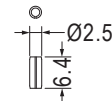
用途：與PCB導槽配合，可快速將PC板拉出與壓入。



- Material: POM (UL)
- Flame Class: 94HB
- Pin Material: Steel
- Color: Natural
- Unit: mm



MOUNTING HOLE

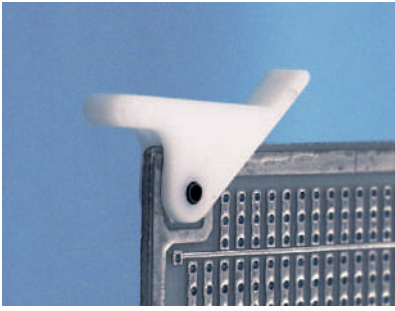


PIN

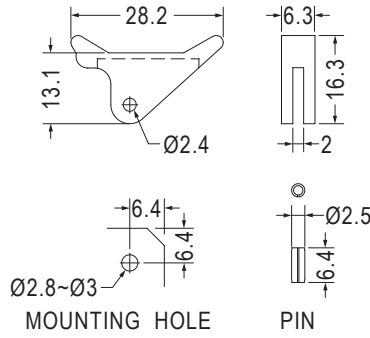
Part No.	Package
CP-15	1000

PCB拉柄 PCB CARD PULLER

用途：與PCB導槽配合，可快速將PC板拉出與壓入。

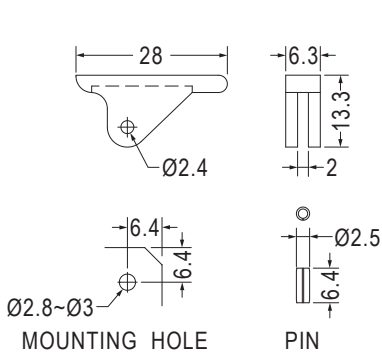


- Material: Nylon 66 (UL)/POM (UL)
- Flame Class: 94HB/94V-2/94V-0
- Pin Material: Steel
- Color: Natural/Black
- Unit: mm

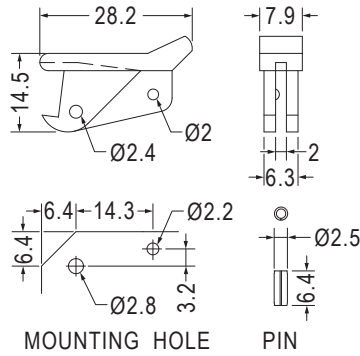


Part No.	Package
CP-25	1000

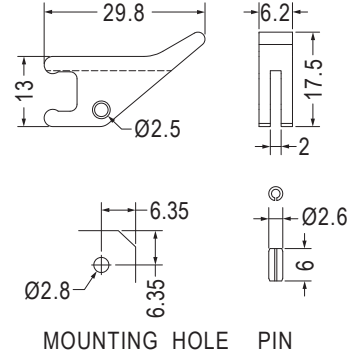
- Material: Nylon 66 (UL)
- Flame Class: 94V-2/94V-0
- Pin Material: Steel
- Color: Natural/Black



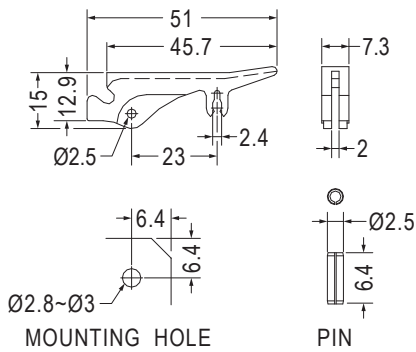
Part No.	Package
CP-20	1000



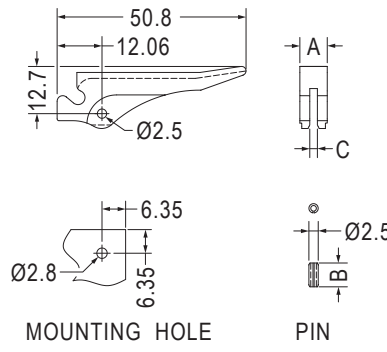
Part No.	Package
CP-30	1000



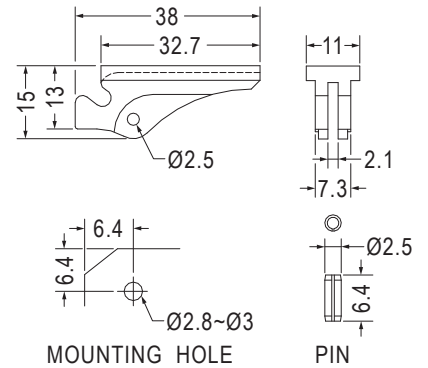
Part No.	Package
CP-90	1000



Part No.	Package
CP-37	500

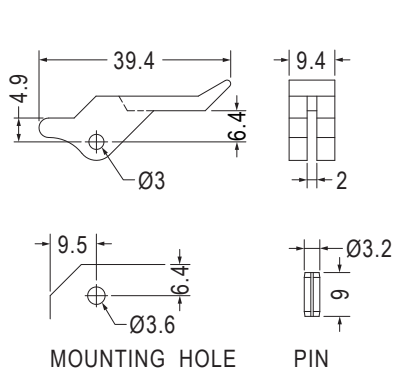


Part No.	A	B	C	Package
CP-38	7.3	6.4	2.0	500
CP-38L	8.8	8.0	3.5	

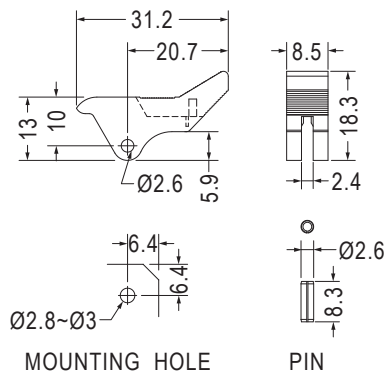


Part No.	Package
CP-47	500

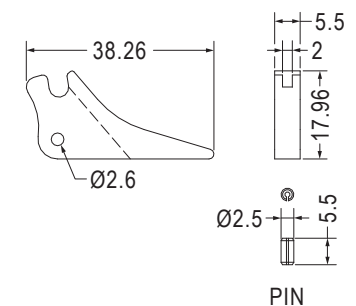
- Material: POM (UL)
- Flame Class: 94HB
- Pin Material: Steel
- Color: Black



Part No.	Package
CP-50	500



Part No.	Package
CP-70	1000



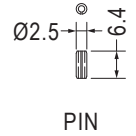
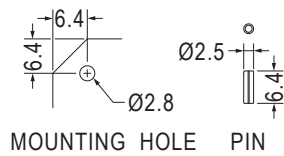
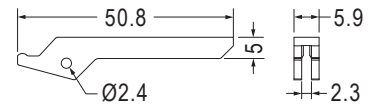
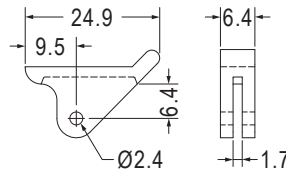
Part No.	Package
CP-72	500

PCB拉柄 PCB CARD PULLER

用途：與PCB導槽配合，可快速將PC板拉出與壓入。



- Material: Nylon 66 (UL)
- Flame Class: 94V-2/94V-0
- Pin Material: Steel
- Color: Natural/Black
- Unit: mm



MOUNTING HOLE PIN

PIN

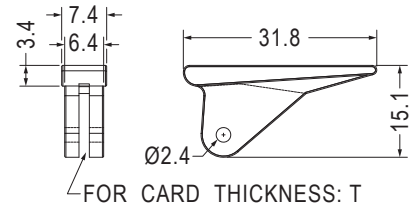
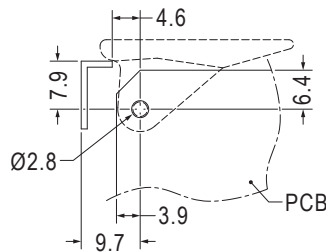
Part No.	Package
CP-82	1000

Part No.	Package
CP-84	1000

3



- Material: Nylon 66 (UL)
- Flame Class: 94V-2
- Color: Natural

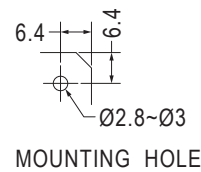
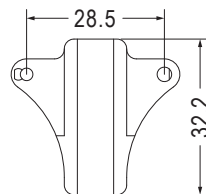
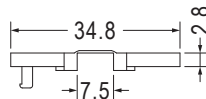


APPLICATION LAYOUT RECOMMEND FOR REFERENCE ONLY

Part No.	T	Package
CP-94A	1.6	1000
CP-94AL	2.4	

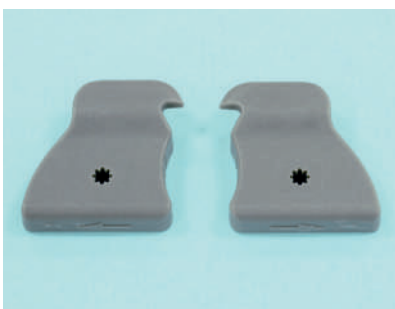


- Material: Nylon 66 (UL)
- Flame Class: 94V-2/94V-0
- Color: Natural/Black
- Unit: mm

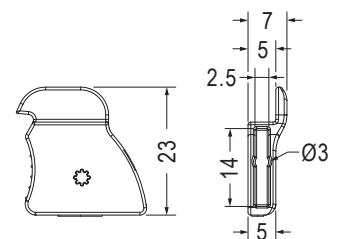
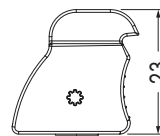
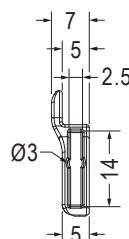


MOUNTING HOLE

Part No.	Package
CP-35	500



- Material: PC+ABS (UL)
- Flame Class: 94V-0
- Color: Gray/Orange
- Unit: mm



Part No.	Package
CP-76	1000

Part No.	Package
CP-77	1000

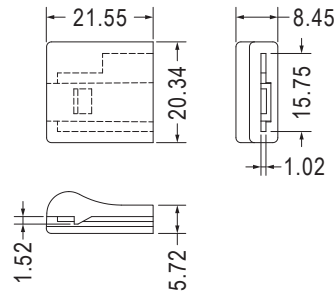
拉柄蓋 LATCH CAP

用途：用於機殼之拉拔。

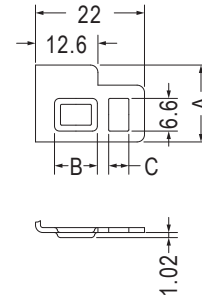


裝配件尺寸，僅供參考
Assembly parts are for reference only.

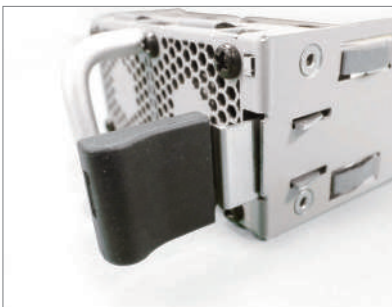
- Material: TPE (UL)
- Flame Class: 94V-0
- Color: Black
- Unit: mm



Assembly Part

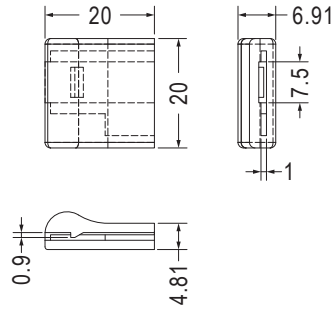


Part No.	A	B	C	Package
HANE-21	15.52	8.64	4.06	250
HANE-21L	15.2	9.2	3.9	

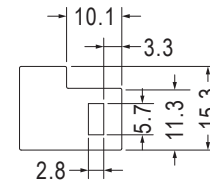


裝配件尺寸，僅供參考
Assembly parts are for reference only.

- Material: Santopren
- Color: Black
- Unit: mm

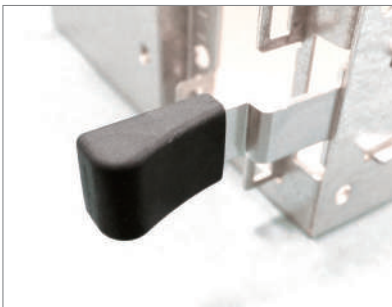


Assembly Part



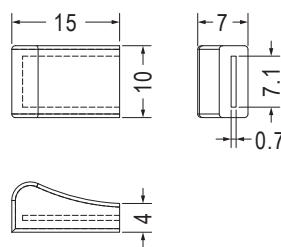
THICKNESS 0.8

Part No.	Package
HANE-35	250

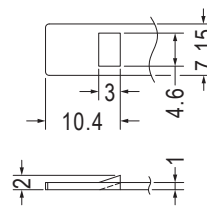


裝配件尺寸，僅供參考
Assembly parts are for reference only.

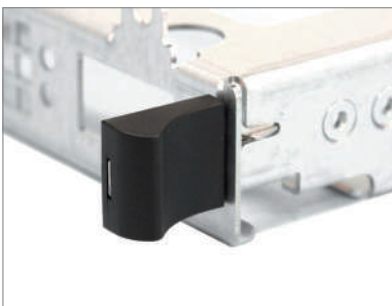
- Material: TPR
- Color: Black
- Unit: mm



Assembly Part

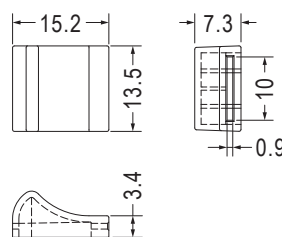


Part No.	Package
HANE-59	500

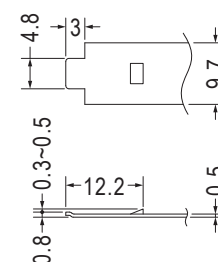


裝配件尺寸，僅供參考
Assembly parts are for reference only.

- Material: Nylon 66 (UL)
- Flame Class: 94V-2/94V-0
- Color: Black
- Unit: mm



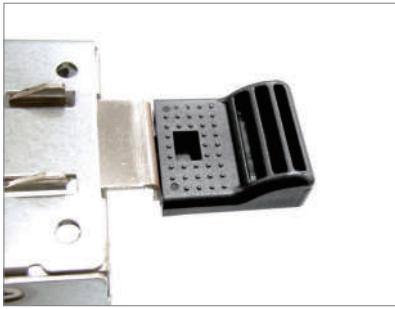
Assembly Part



Part No.	Package
HANE-77	250

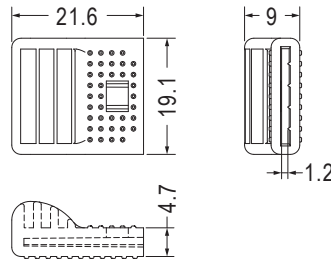
拉柄蓋 LATCH CAP

用途：用於機殼之拉拔。

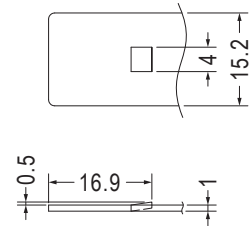


裝配件尺寸，僅供參考
Assembly parts are for reference only.

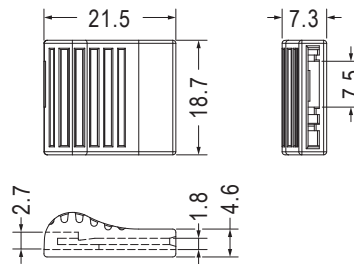
- Material: PC+ABS (UL)
- Flame Class: 94V-2/94V-0
- Color: Black
- Unit: mm



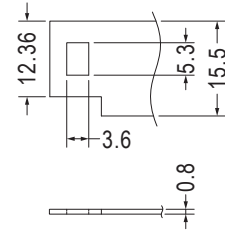
Assembly Part



Part No.	Package
HANE-24	250



Assembly Part



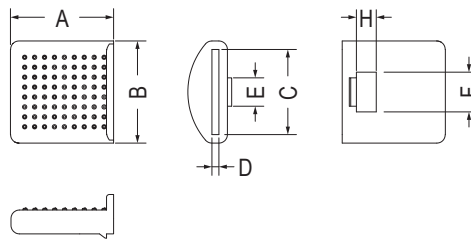
- Color: Black/Green

Part No.	Package
HANE-40	1000

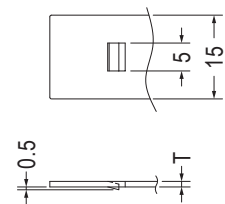


裝配件尺寸，僅供參考
Assembly parts are for reference only.

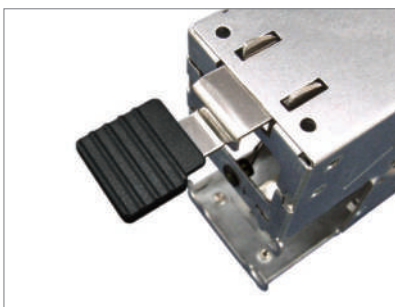
- Material: PC+ABS (UL)
- Flame Class: 94V-2/94V-0
- Color: Black
- Unit: mm



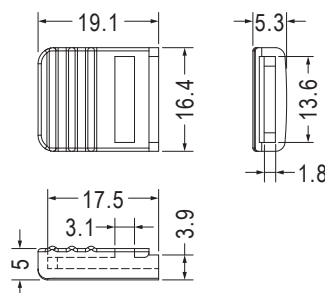
Assembly Part



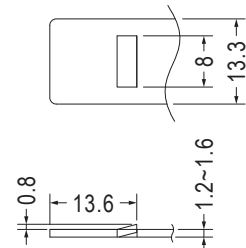
Part No.	A	B	C	D	E	F	H	T	Package
HANE18	18.47	18.29	15.24	1.24	5.08	7.11	3.56	1.0	250
HANE18LV	18.47	18.29	15.24	1.4	5.08	7.11	3.56	1.2	
HANE29	18.5	18.3	15.1	1.2	5.1	7.0	3.2	1.0	



裝配件尺寸，僅供參考
Assembly parts are for reference only.



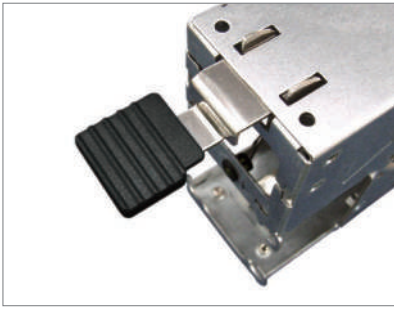
Assembly Part



Part No.	Package
HANE-32	1000

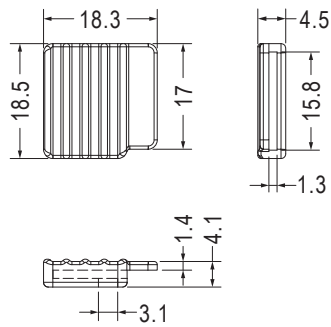
拉柄蓋 LATCH CAP

用途：用於機殼之拉拔。

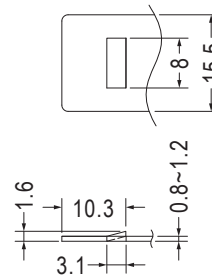


裝配件尺寸，僅供參考
Assembly parts are for reference only.

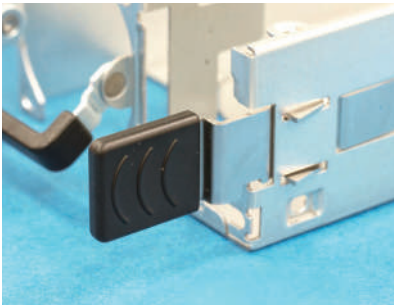
- Material: PC+ABS (UL)
- Flame Class: 94V-2/94V-0
- Color: Black
- Unit: mm



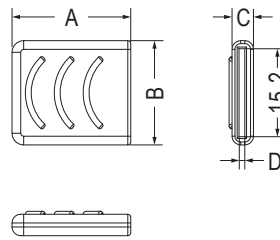
Assembly Part



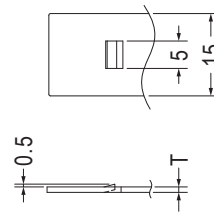
Part No.	Package
HANE-33	1000



裝配件尺寸，僅供參考
Assembly parts are for reference only.

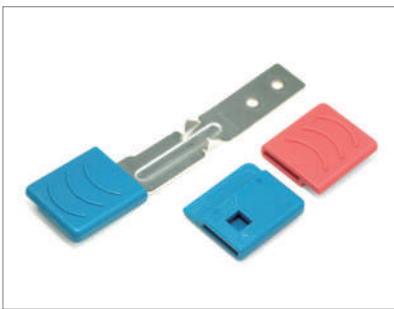


Assembly Part



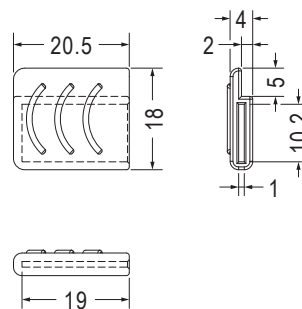
- Color: Black/Blue/Purple/Green

Part No.	A	B	C	D	T	Package
HANE-36	20.5	18.0	4.0	1.0	0.8~1.0	1000
HANE-48	20.5	18.0	4.0	1.2	1.2	
HANE-55	20.5	18.0	3.7	1.0	0.8~1.0	
HANE-69	20.7	18.2	4.0	1.0	1.0	

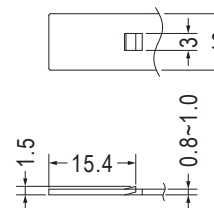


裝配件尺寸，僅供參考
Assembly parts are for reference only.

- Material: PC (UL)
- Flame Class: 94V-0
- Color: Red/Blue
- Unit: mm



Assembly Part

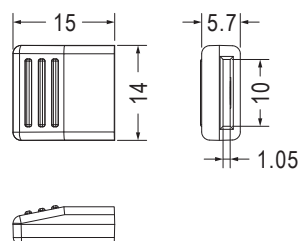


Part No.	Package
HANE-113	1000

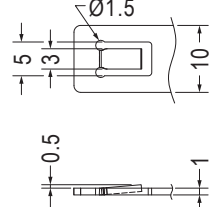


裝配件尺寸，僅供參考
Assembly parts are for reference only.

- Material: PC+ABS (UL)
- Flame Class: 94V-2
- Color: Black/Gray
- Unit: mm



Assembly Part



Part No.	Package
HANE-58	1000

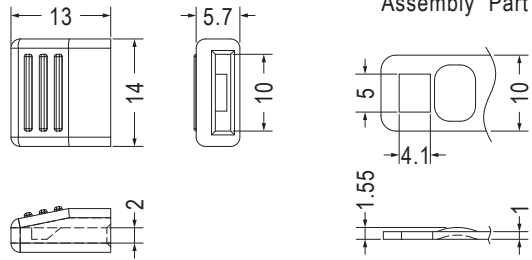
拉柄蓋 LATCH CAP

用途：用於機殼之拉拔。



裝配件尺寸，僅供參考
Assembly parts are for reference only.

- Material: TPE
- Color: Black/Orange
- Unit: mm



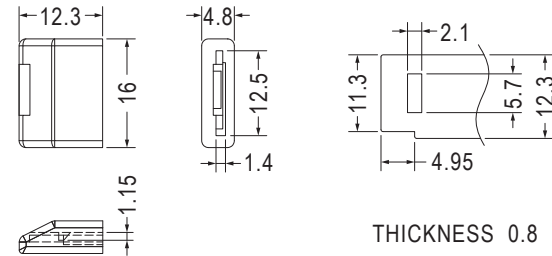
Part No.	Package
HANE-23	1000

3



裝配件尺寸，僅供參考
Assembly parts are for reference only.

- Material: TPE (UL)
- Flame Class: 94V-0
- Color: Black/Orange
- Unit: mm

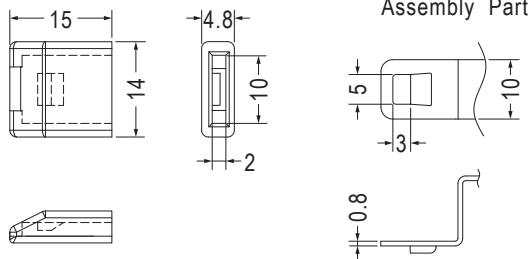


Part No.	Package
HANE-37	1000

THICKNESS 0.8



裝配件尺寸，僅供參考
Assembly parts are for reference only.

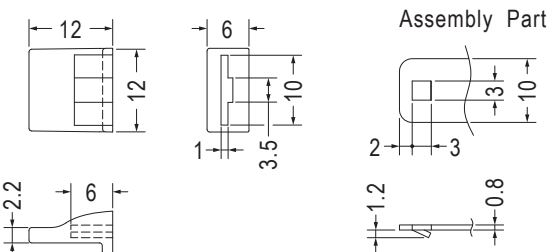


Part No.	Package
HANE-75	1000



裝配件尺寸，僅供參考
Assembly parts are for reference only.

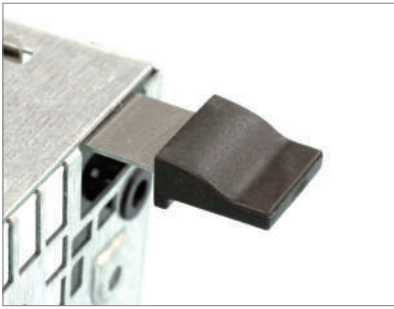
- Material: Nylon 66 (UL)
- Flame Class: 94V-2/94V-0
- Color: Black
- Unit: mm



Part No.	Package
HANE-26	1000

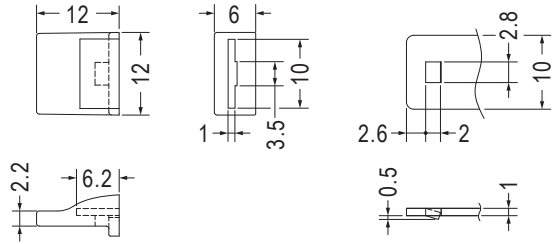
拉柄蓋 LATCH CAP

用途：用於機殼之拉拔。

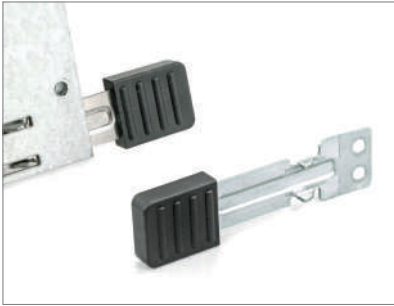


裝配件尺寸，僅供參考
Assembly parts are for reference only.

- Material: Nylon 66 (UL)
- Flame Class: 94V-2/94V-0
- Color: Black
- Unit: mm

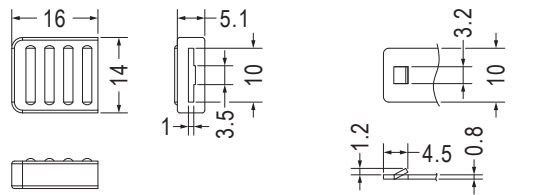


Part No.	Package
HANE-38	1000



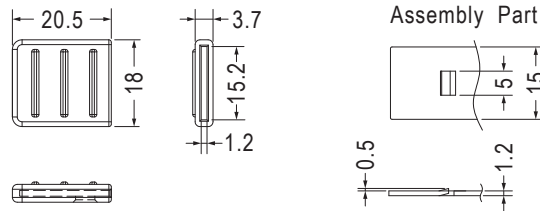
裝配件尺寸，僅供參考
Assembly parts are for reference only.

- Material: Nylon 66 (UL)
- Flame Class: 94V-2/94V-0
- Color: Black
- Unit: mm



Part No.	Package
HANE-49	1000

- Material: PC+ABS (UL)
- Flame Class: 94V-0
- Color: Black/Blue
- Unit: mm

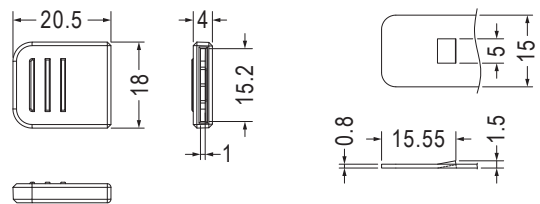


Part No.	Package
HANE-74	1000



裝配件尺寸，僅供參考
Assembly parts are for reference only.

- Material: PC+ABS (UL)
- Flame Class: 94V-0
- Color: Orange
- Unit: mm

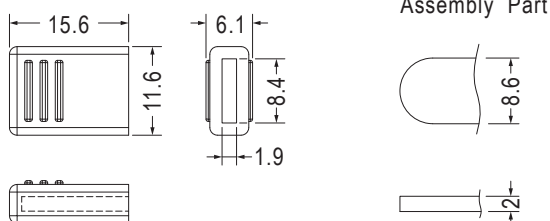


Part No.	Package
HANE-120	1000



裝配件尺寸，僅供參考
Assembly parts are for reference only.

- Material: Silicon Rubber (UL)
- Flame Class: 94V-0
- Color: Black
- Unit: mm



Part No.	Package
HANE-121	1000

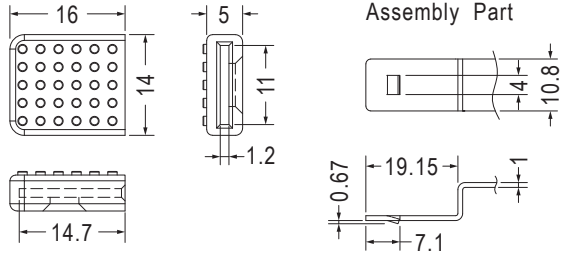
拉柄蓋 LATCH CAP

用途：用於機殼之拉拔。



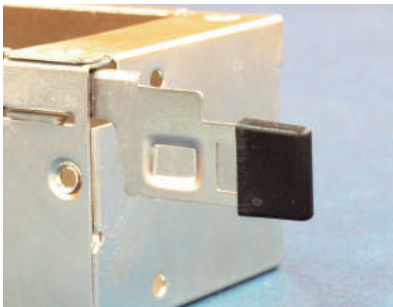
裝配件尺寸，僅供參考
Assembly parts are for reference only.

- Material: PC+ABS (UL)
- Flame Class: 94V-0
- Color: Black
- Unit: mm



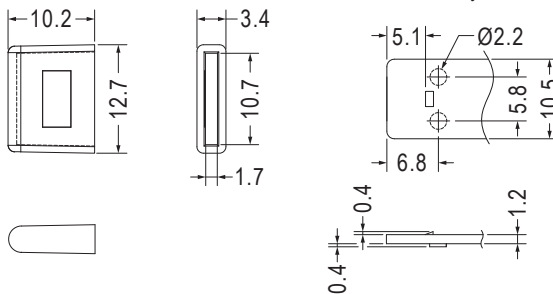
Part No.	Package
HANE-97	1000

3



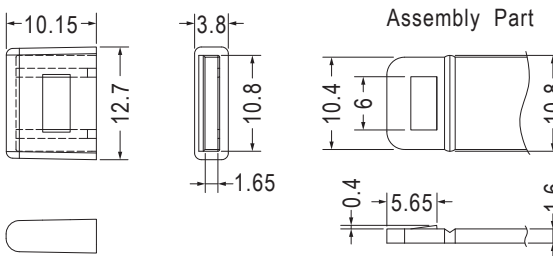
裝配件尺寸，僅供參考
Assembly parts are for reference only.

- Material: PC+ABS
- Color: Black
- Unit: mm



Part No.	Package
HANE-27	1000

- Material: Nylon 66 (UL)
- Flame Class: 94V-2/94V-0
- Color: Black
- Unit: mm

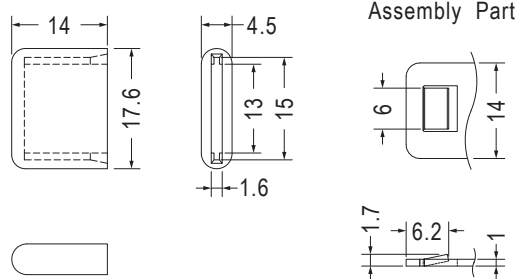


Part No.	Package
HANE-72	1000



裝配件尺寸，僅供參考
Assembly parts are for reference only.

- Material: PP (UL)
- Flame Class: 94V-0
- Color: Blue
- Unit: mm



Part No.	Package
HANE-111	1000

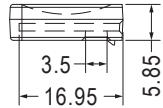
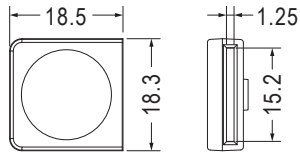
拉柄蓋 LATCH CAP

用途：用於機殼之拉拔。

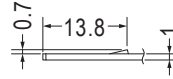
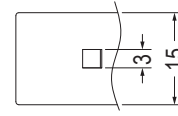


裝配件尺寸，僅供參考
Assembly parts are for reference only.

- Material: PC+ABS (UL)
- Flame Class: 94V-0
- Color: Black
- Unit: mm



Assembly Part

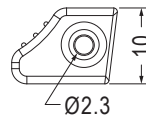
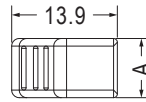


Part No.	Package
HANE-98	1000

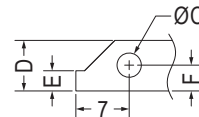


裝配件尺寸，僅供參考
Assembly parts are for reference only.

- Material: PC (UL)/ABS
- Flame Class: 94V-2/94V-0
- Color: Black/Orange
- Unit: mm



Assembly Part



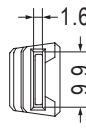
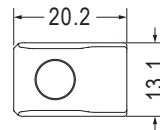
THICKNESS: T

Part No.	A	C	D	E	F	T	Package
HANE-46	7.8	3.2	6.6	2.6	3.4	0.6	1000
HANE-76	5.0	4.0	7.0	3.0	3.5	0.7	
HANE-108	5.2	4.0	7.0	3.0	3.5	0.8	

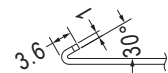
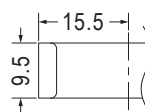


裝配件尺寸，僅供參考
Assembly parts are for reference only.

- Material: TPV
- Color: Black
- Unit: mm

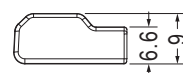
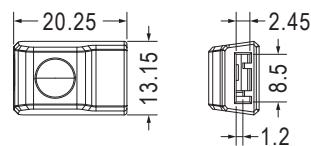


Assembly Part

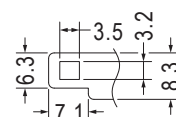


Part No.	Package
HANE-22	250

- Material: PC+ABS (UL)
- Flame Class: 94V-0
- Color: Black
- Unit: mm



Assembly Part



Part No.	Package
HANE-41	250

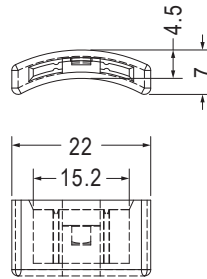
拉柄蓋 LATCH CAP

用途：用於機殼之拉拔。

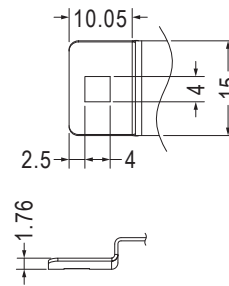


裝配件尺寸，僅供參考
Assembly parts are for reference only.

- Material: PC+ABS (UL)
- Flame Class: 94V-2/94V-0
- Color: Black/Orange
- Unit: mm



Assembly Part



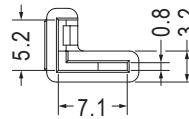
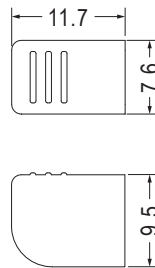
Part No.	Package
HANE-34	1000

3

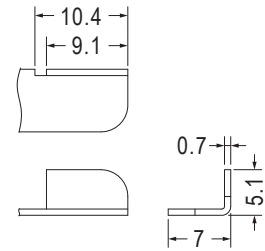


裝配件尺寸，僅供參考
Assembly parts are for reference only.

- Material: Nylon 66 (UL)
- Flame Class: 94V-2/94V-0
- Color: Black
- Unit: mm



Assembly Part

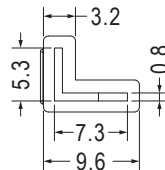
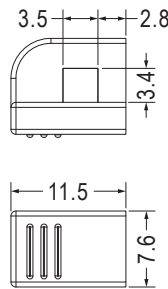


Part No.	Package
HANE-30	1000

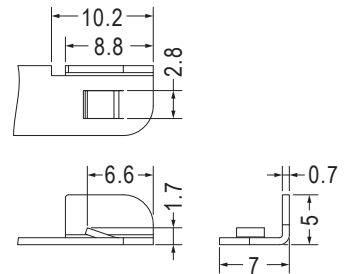


裝配件尺寸，僅供參考
Assembly parts are for reference only.

- Material: Nylon 66 (UL)
- Flame Class: 94V-2/94V-0
- Color: Black
- Unit: mm



Assembly Part

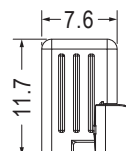
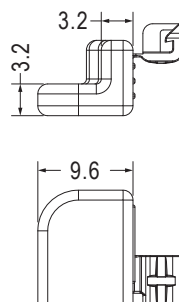


Part No.	Package
HANE-103	1000

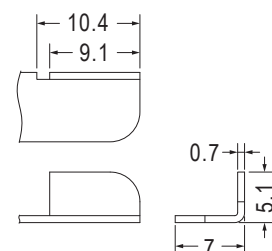


裝配件尺寸，僅供參考
Assembly parts are for reference only.

- Material: Nylon 66 (UL)
- Flame Class: 94V-2/94V-0
- Color: Black
- Unit: mm
- Patented (專利品)



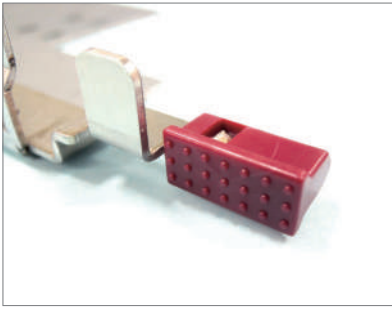
Assembly Part



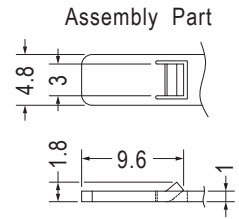
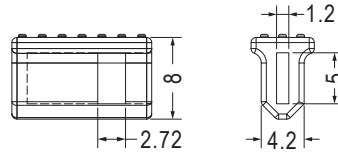
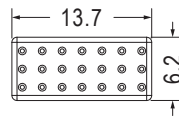
Part No.	Package
HANE-86	1000

拉柄蓋 LATCH CAP

用途：用於機殼之拉拔。

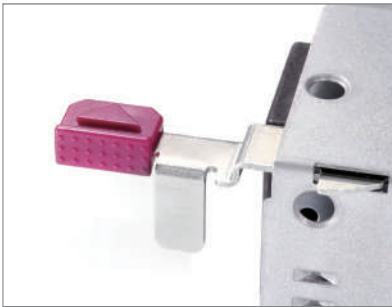


- Material: PC+ABS (UL)
- Flame Class: 94V-2/94V-0
- Color: Hot Plug Red
- Unit: mm

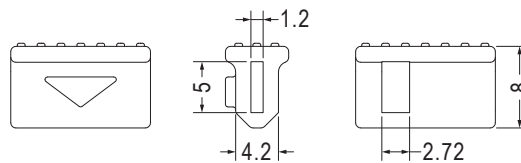
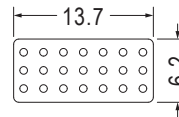


裝配件尺寸，僅供參考
Assembly parts are for reference only.

Part No.	Package
HANE-53	1000



- Material: PC+ABS (UL)
- Flame Class: 94V-0
- Color: Red
- Unit: mm



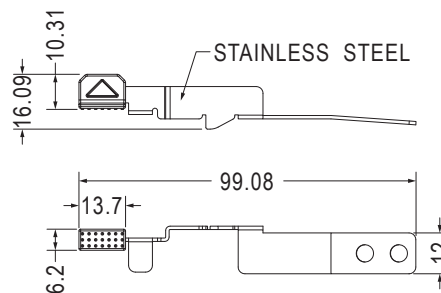
Part No.	Package
HANE-118	1000

拉柄 LATCH

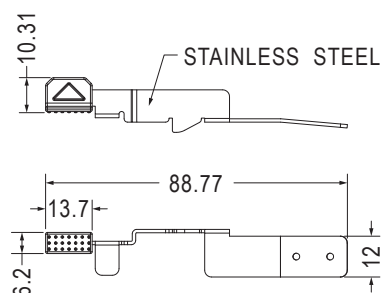
用途：用於機殼之拉拔。



- Material: PC+ABS (UL)
- Flame Class: 94V-0
- Color: Black
- Unit: mm



Part No.	Package
HANE-64	200

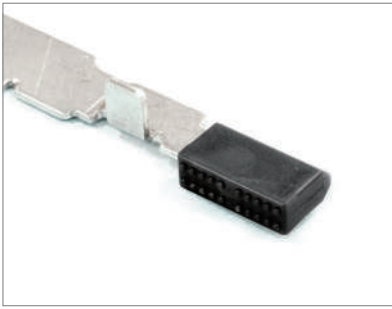


- Color: Red

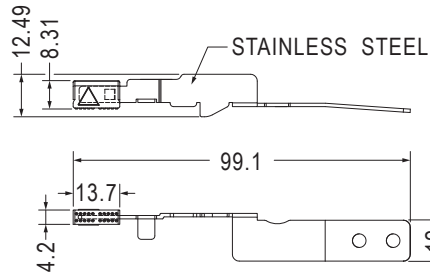
Part No.	Package
HANE-104	200

拉柄 LATCH

用途：用於機殼之拉拔。



- Material: PC+ABS (UL)
- Flame Class: 94V-0
- Color: Black/Red
- Unit: mm

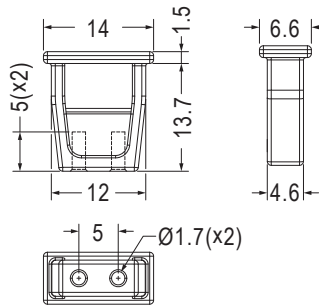


Part No.	Package
HANE-67	200



- Material: PC+ABS (UL)
- Flame Class: 94V-0
- Color: Black
- Unit: mm

用途：做為拉柄使用。



• 配合STP2-5SUS螺絲使用

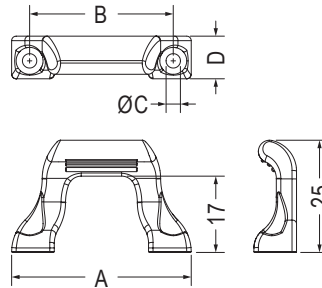
Part No.	Package
EM-926	1000

把手 HANDLE

用途：用於機殼之拉拔。



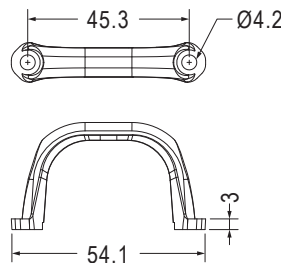
- Material: PC+ABS (UL)
- Flame Class: 94V-2/94V-0
- Color: Black
- Unit: mm



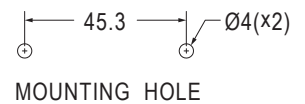
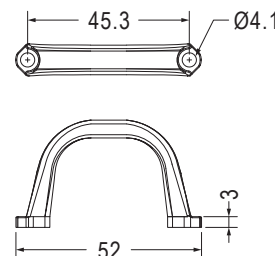
Part No.	A	B	C	D	Package
HAND-25	40.0	32.0	3.2	9.5	250
HAND-25-1	40.0	32.0	4.1	9.5	
HAND-38	38.0	30.0	3.2	9.5	
HAND-41	38.0	30.0	4.0	9.5	
HAND-41L	38.3	30.0	4.05	9.8	
HAND-47	40.0	32.0	4.2	9.5	



- Material: PC+ABS (UL)
- Flame Class: 94V-0
- Color: Black
- Unit: mm



Part No.	Package
HAND-53	100



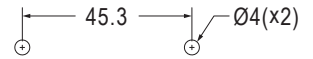
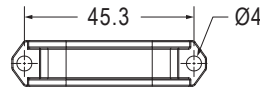
Part No.	Package
HANU-92	250

把手 HANDLE

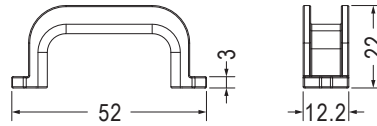
用途：用於機殼之拉拔。



- Material: PC+ABS (UL)
- Flame Class: 94V-0
- Color: Black
- Unit: mm



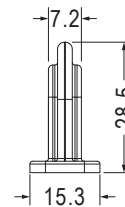
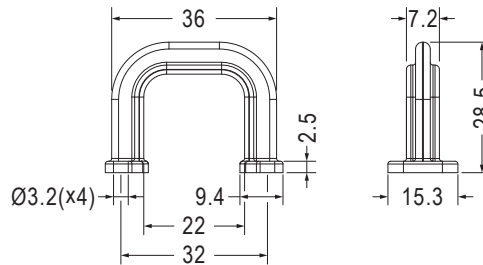
MOUNTING HOLE



Part No.	Package
HANU-91	250



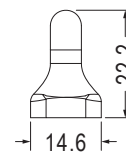
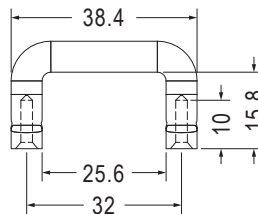
- Material: Nylon 66 (UL)
- Flame Class: 94V-0
- Color: Black
- Unit: mm



Part No.	Package
HANU-73	250



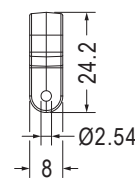
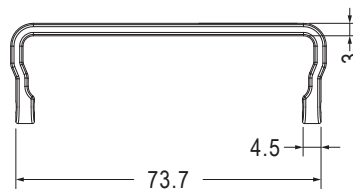
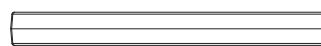
- Material: PC+ABS (UL)
- Flame Class: 94V-0
- Color: Gray
- Unit: mm



Part No.	Package
HANU-82	250



- Material: PC+ABS (UL)
- Flame Class: 94V-0
- Color: Black
- Unit: mm



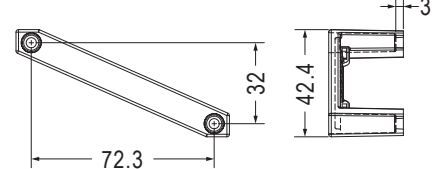
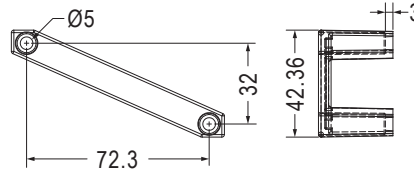
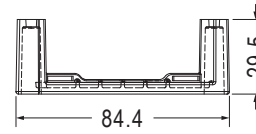
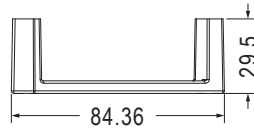
Part No.	Package
HAND-73	100

把手 HANDLE

用途：用於機殼之拉拔。



- Material: PC+ABS (UL)
- Flame Class: 94V-0
- Color: Black
- Unit: mm



Part No.	Package
HAND-27	100

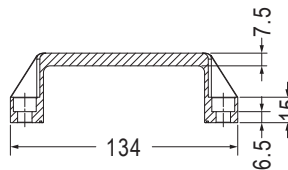
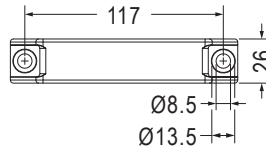
Part No.	Package
HAND-34	250

3



- Material: Nylon 66 (UL)
- Flame Class: 94HB
- Color: Black
- Unit: mm

用途：用於大型機殼之拉拔，耐負重。

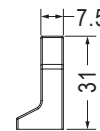
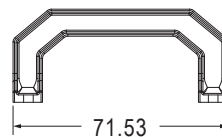
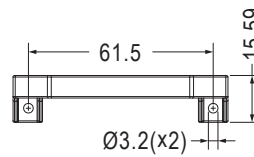


Part No.	Package
HAND-70	100

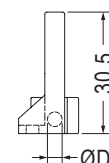
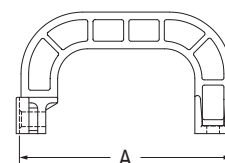
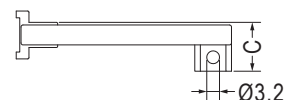
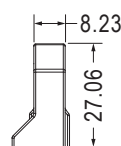
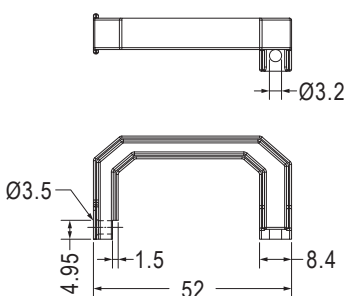


- Material: PC (UL)
- Flame Class: 94V-2/94V-0
- Color: Black
- Unit: mm

用途：用於機殼之拉拔。



Part No.	Package
HAND-80-1	250

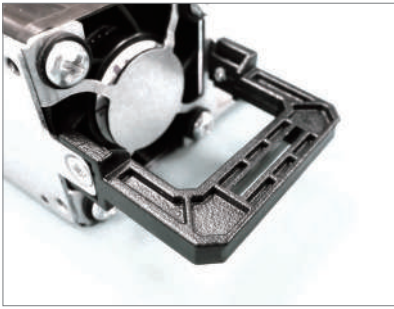


Part No.	Package
HAND-79	250

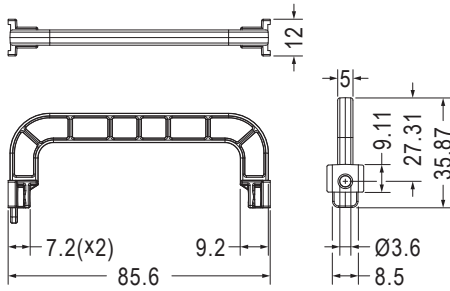
Part No.	A	C	D	Package
HAND-10	53.4	12.5	3.7	250
HAND-74	51.5	11.6	3.6	

把手 HANDLE

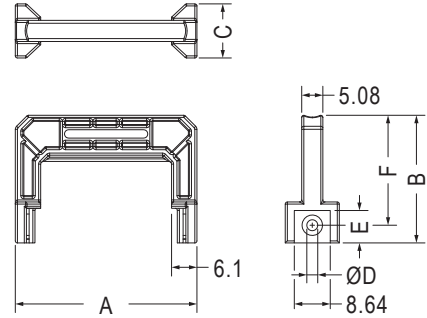
用途：用於機殼之拉拔。



- Material: PC (UL)
- Flame Class: 94V-2/94V-0
- Color: Black
- Unit: mm



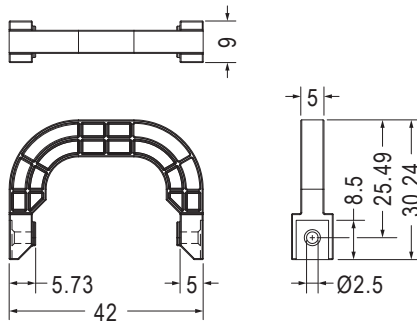
Part No.	Package
HAND-82	100



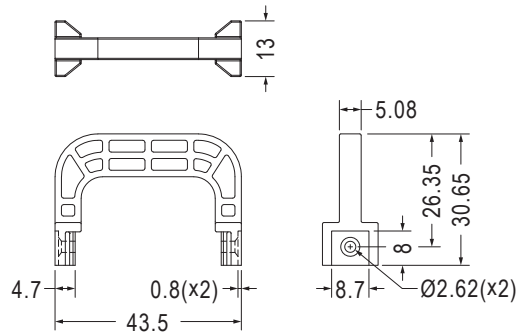
Part No.	A	B	C	D	E	F	Package
HAND-51	43.63	29.97	11.68	2.62	7.4	26.41	250
HAND-51L	43.63	30.67	13.0	2.62	7.8	26.41	
HAND-54	41.63	29.98	11.68	2.62	7.4	26.42	
HAND-55	34.59	29.98	11.68	2.6	7.1	26.42	

- Material: PC+ABS (UL)
- Flame Class: 94V-0
- Color: Black
- Unit: mm

- Material: PC+ABS (UL)
- Flame Class: 94V-0
- Color: Juniper Blue/Juniper Orange
- Unit: mm



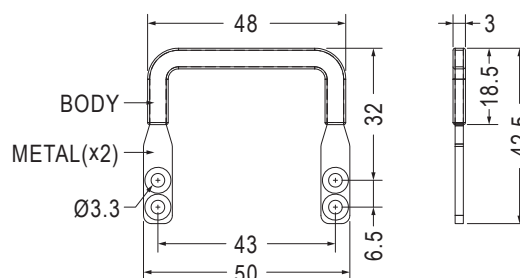
Part No.	Package
HAND-50	250



Part No.	Package
HAND-99	100



- Body Material: Silicon Rubber
- Metal Material: Zinc Plated SPCC
- Color: Black
- Unit: mm



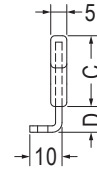
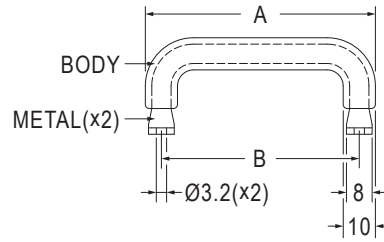
Part No.	Package
HAND-71	500

把手 HANDLE

用途：用於機殼之拉拔。



- Body Material: PC+ABS (UL)
- Metal Material: Zinc Plated SPCC
- Body Flame Class: 94V-2/94V-0
- Color: Black
- Unit: mm

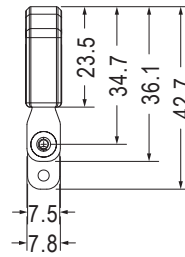
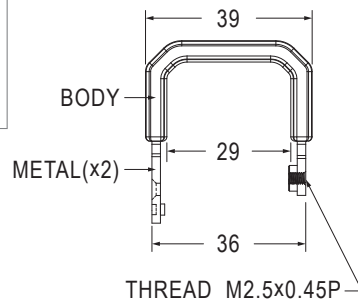


Part No.	A	B	C	D	Package
HAND-30	71.5	61.5	22.0	8.0	250
HAND-31	51.6	41.6	21.0	9.0	

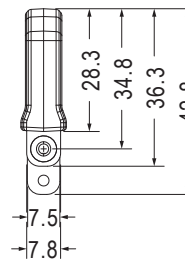
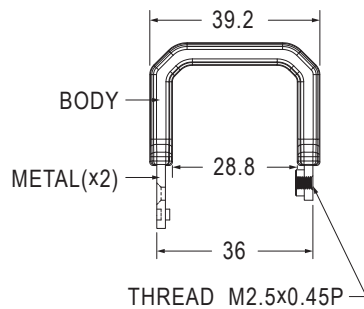
3



- Body Material: PC+ABS (UL)
- Metal Material: Zinc Plated SPCC
- Body Flame Class: 94V-2/94V-0
- Color: Black
- Unit: mm



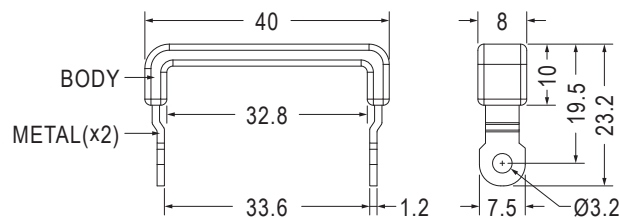
Part No.	Package
HAND-29	250



Part No.	Package
HAND-84	250



- Body Material: PC+ABS (UL)
- Metal Material: SGCC
- Body Flame Class: 94V-0
- Color: Black
- Unit: mm



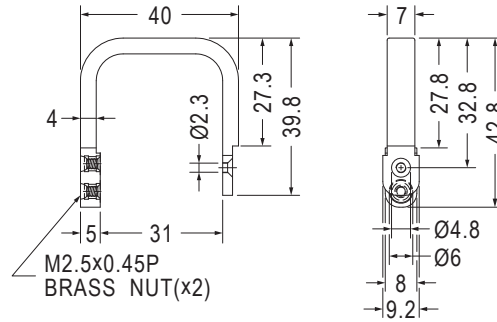
Part No.	Package
HANU-83	1000

把手 HANDLE

用途：用於機殼之拉拔。



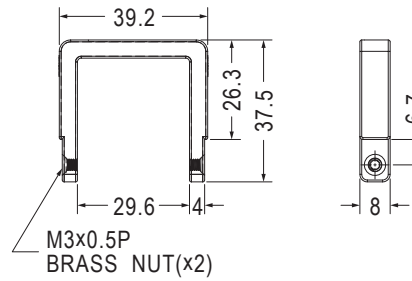
- Material: Nylon 66 (UL)
- Flame Class: 94V-2/94V-0
- Color: Black
- Unit: mm



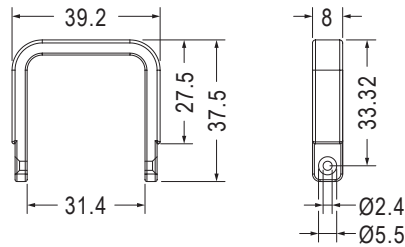
Part No.	Package
HANU-34	100



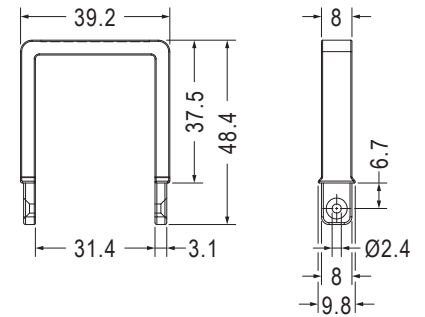
- Material: PC+ABS (UL)
- Flame Class: 94V-0
- Color: Black
- Unit: mm



Part No.	Package
HANU-139	250



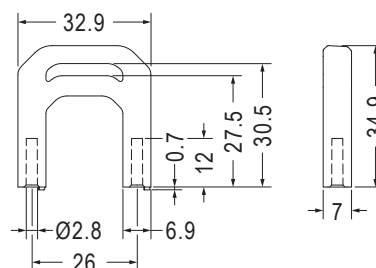
Part No.	Package
HANU-71	250



Part No.	Package
HANU-138	250



- Material: PC+ABS (UL)
- Flame Class: 94V-0
- Color: Black
- Unit: mm



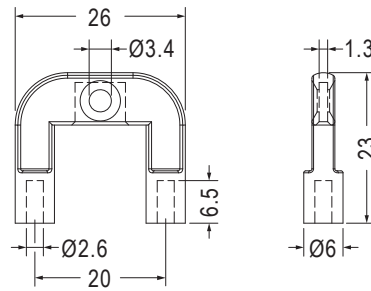
Part No.	Package
HANU-27U	250

把手 HANDLE

用途：用於機殼之拉拔。



- Material: Nylon 66 (UL)
- Flame Class: 94V-2/94V-0
- Color: Black/Blue
- Unit: mm

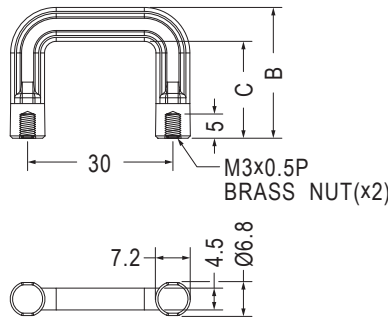


Part No.	Package
HAND-87	1000

3



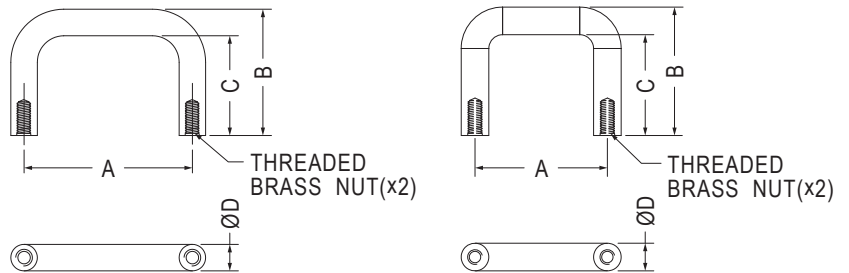
- Material: PC+ABS (UL)
- Flame Class: 94V-0
- Color: Black
- Unit: mm



Part No.	B	C	Package
HANU-108	27.0	20.0	250
HANU-114	34.0	27.0	



- Material: Nylon 66 (UL)/PC+ABS (UL)/PC (UL)
- Flame Class: 94HB/94V-2/94V-0
- Color: Black
- Unit: mm



【 HANU-130, HANU-154, HANU-155 】

Part No.	A	B	C	D	Thread	Package
HANU-40	40.0	30.0	23.7	6.3	M3x0.5P	250
HANU-48	48.0	32.0	25.7	6.3		
HANU-51	51.0	32.0	25.7	6.3		
HANU-70-1	51.0	38.7	31.7	7.0		
HANU-70	51.0	38.7	31.7	7.0	6-32 UNC	200
HANU-72	51.5	45.0	38.0	7.3	M3x0.5P	250
HANU-76-632	32.0	22.5	15.5	7.0		
HANU-76	32.0	22.5	15.5	7.0		
HANU-77	32.0	29.3	23.0	6.3		
HANU-97	32.0	23.3	17.0	6.3		
HANU-107	32.0	40.0	33.0	7.0		

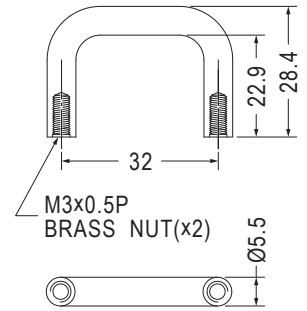
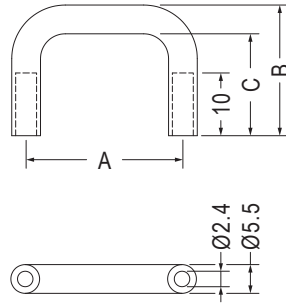
Part No.	A	B	C	D	Thread	Package
HANU-109	29.0	40.0	33.0	7.0	M3x0.5P	40
HANU-111	40.0	30.0	24.0	6.0		250
HANU-115	54.0	29.9	23.0	6.9		100
HANU-123	48.0	26.0	19.7	6.3	M3x0.5P	250
HANU-125	26.0	25.0	19.5	5.5		
HANU-126	45.3	22.5	17.0	5.5		
HANU-128	25.0	28.5	22.2	6.3		
HANU-130	30.2	29.3	23.0	6.3		
HANU-154	31.3	29.0	22.6	6.4		
HANU-155	29.9	49.0	42.0	7.0		

把手 HANDLE

用途：用於機殼之拉拔。



- Material: PC+ABS (UL)/PC (UL)
- Flame Class: 94V-2/94V-0
- Color: Black
- Unit: mm

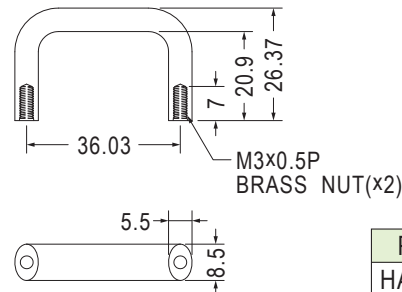


Part No.	A	B	C	Package
HANU-30PN	30.0	25.0	19.5	250
HANU-32VB	32.0	28.4	22.9	

Part No.	Package
HANU-32PVB	250



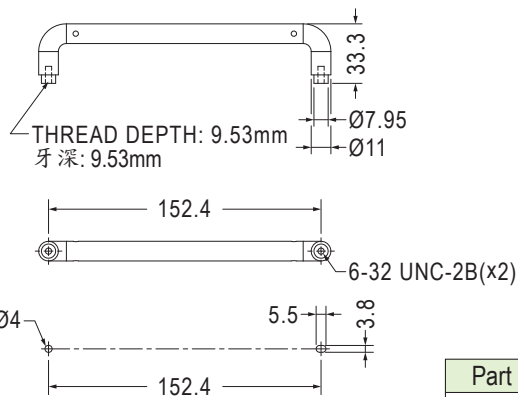
- Material: PC+ABS (UL)
- Flame Class: 94V-0
- Color: Black
- Unit: mm
- Patented (專利品)



Part No.	Package
HANU-142	250



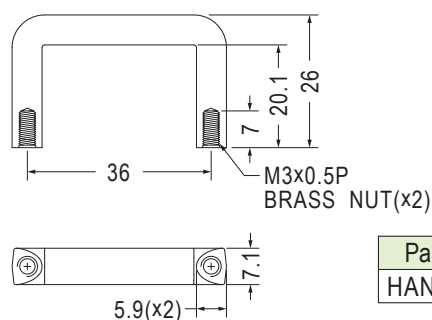
- Body Material: PC+ABS (UL)
- Metal Material: Steel Zinc Plated
- Body Flame Class: 94V-0
- Color: Black
- Unit: mm



Part No.	Package
HANU-141	100



- Material: PC+ABS (UL)
- Flame Class: 94V-0
- Color: Gray
- Unit: mm



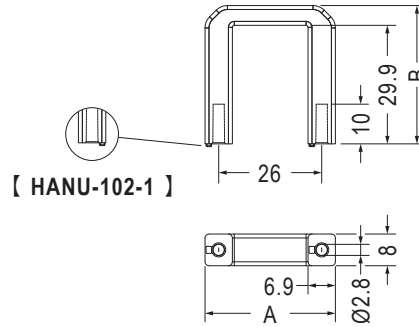
Part No.	Package
HANU-137	250

把手 HANDLE

用途：用於機殼之拉拔。



- Material: PC+ABS (UL)
- Flame Class: 94V-0
- Color: Black
- Unit: mm

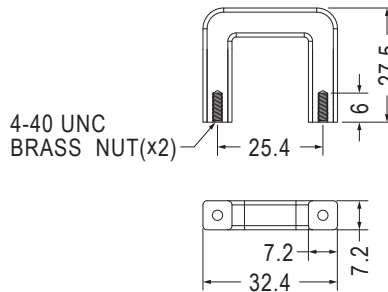


Part No.	A	B	Package
HANU-102	32.9	34.9	250
HANU-102-1	33.0	35.0	

3



- Material: PC+ABS (UL)
- Flame Class: 94V-0
- Color: Black
- Unit: mm

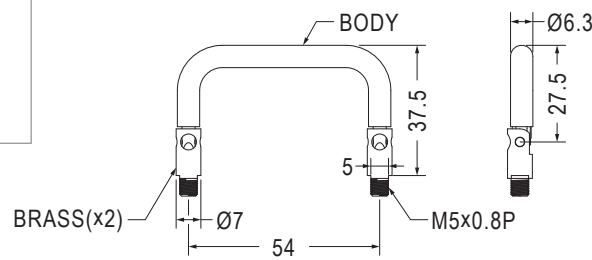


Part No.	Package
HANU-103	250

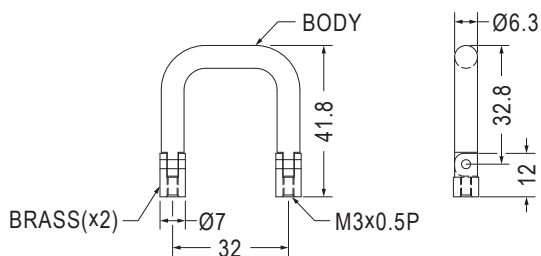


- Body Material: Nylon 66 (UL)+GF
- Flame Class: 94V-0
- Screw Material: Brass(Nickel Plated)
- Color: Black
- Unit: mm

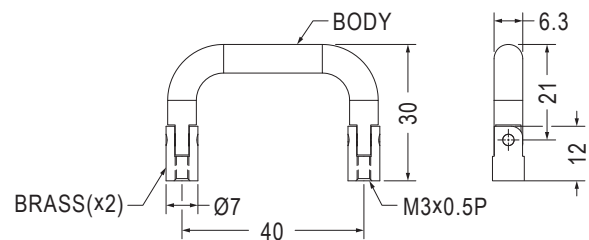
用途：用於機殼之拉拔，不使用時可折疊，大量節省空間。



Part No.	Package
HANUL-2F	100



Part No.	Package
HANUL-3NF	100



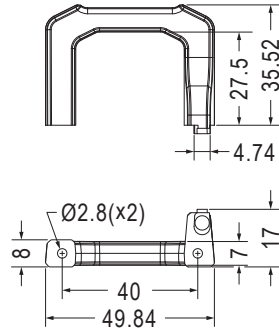
Part No.	Package
HANUL-16F	100

把手 HANDLE

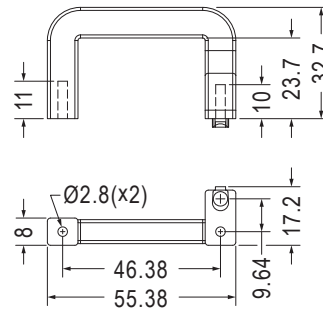
用途：用於機殼之拉拔。



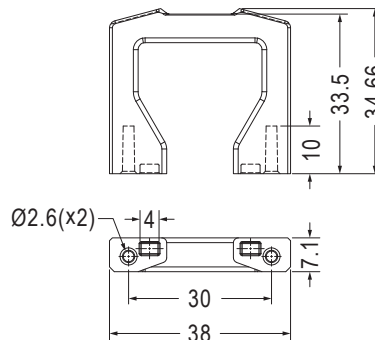
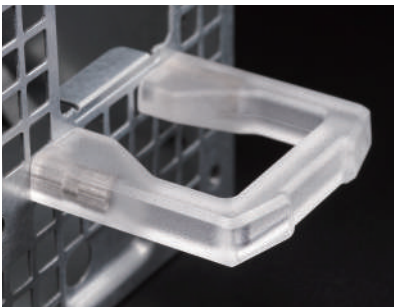
- Material: PC (UL)
- Flame Class: 94V-2/94V-0
- Color: Transparent
- Unit: mm



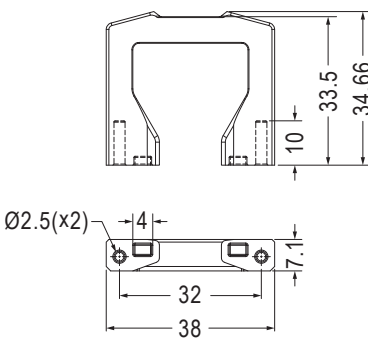
Part No.	Package
HANU-80	200



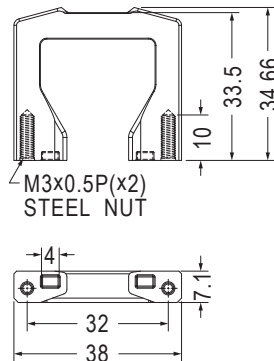
Part No.	Package
HANU-117	100



Part No.	Package
HANU-172	250

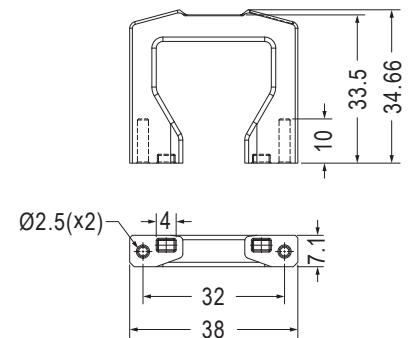


Part No.	Package
HANU-173	250



- Finish: NI Plated

Part No.	Package
HANU-173M3	250



Part No.	Package
HANU-175	250

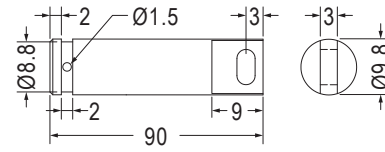


把手 HANDLE

用途：用於機殼之拉拔。

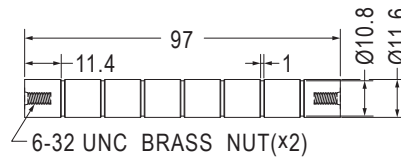


- Material: PC (UL)
- Flame Class: 94V-2
- Color: Black
- Unit: mm



Part No.	Package
HANI-90	100

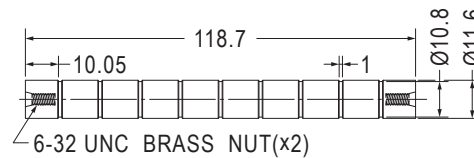
- Material: PC+ABS (UL)
- Flame Class: 94V-0
- Color: Black
- Unit: mm



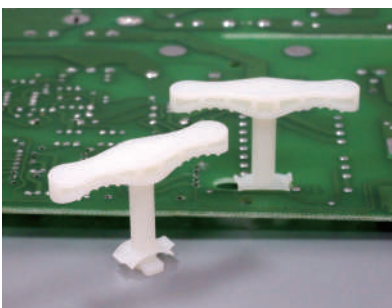
Part No.	Package
HANI-96	100



- Material: PC (UL)
- Flame Class: 94V-0
- Color: Black
- Unit: mm

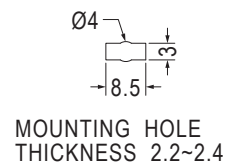
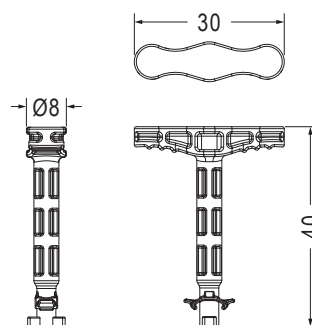


Part No.	Package
HANI-119	50

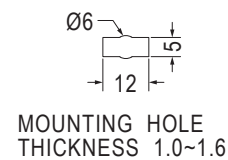
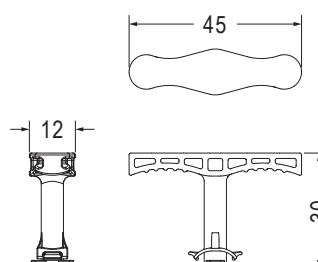


- Material: Nylon 66 (UL)
- Flame Class: 94V-2/94V-0
- Color: Natural/Black
- Unit: mm
- Patented (專利品)

用途：用於PC板或機殼之拉拔。



Part No.	Package
HANT-1	1000



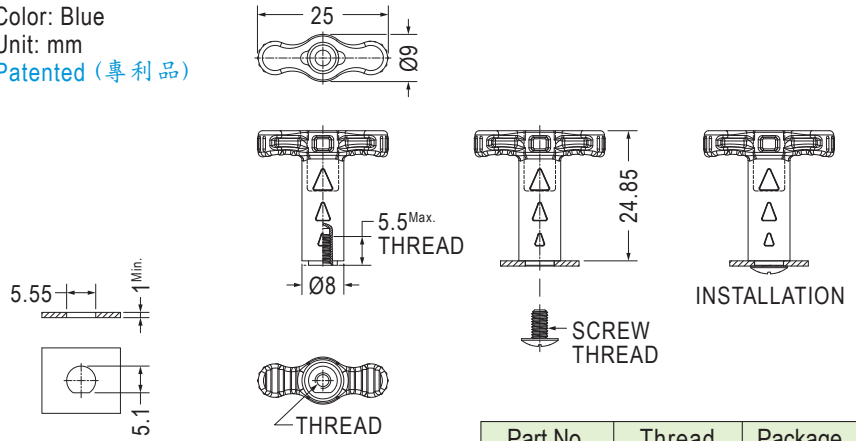
Part No.	Package
HANT-2	1000

把手 HANDLE

用途：用於PC板或機殼之拉拔。



- Material: Nylon 66 (UL)
- Flame Class: 94V-0
- Color: Blue
- Unit: mm
- Patented (專利品)

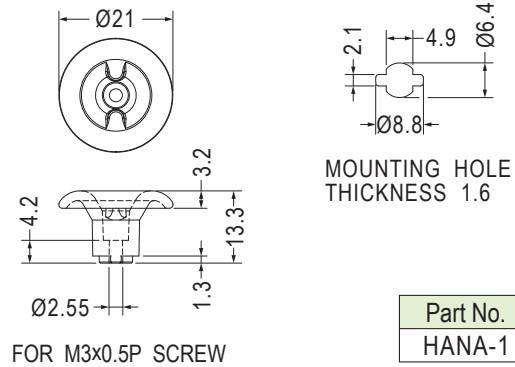


RECOMMEND MOUNTING HOLE
RECOMMEND THICKNESS

Part No.	Thread	Package
HANT-3	M3x0.5P	500
HANT-3-1	M3.5x0.6P	
HANT-3-2	8-32 UNC	



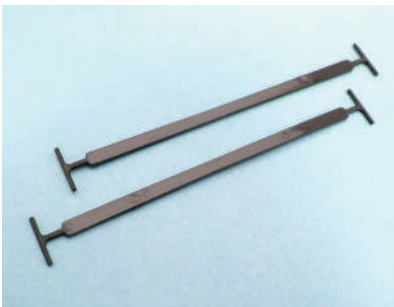
- Material: PC+ABS (UL)
- Flame Class: 94V-0
- Color: Blue
- Unit: mm



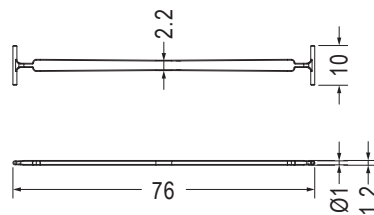
Part No.	Package
HANA-1	500

外箱把手 BOX HANDLE

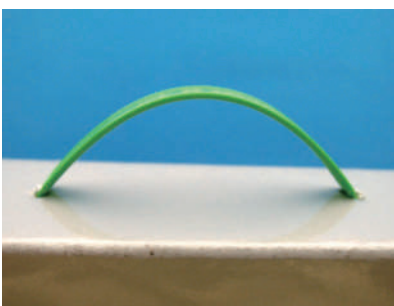
用途：做為把手使用。



- Material: Nylon 66 (UL)
- Flame Class: 94V-2/94V-0
- Color: Natural/Black
- Unit: mm

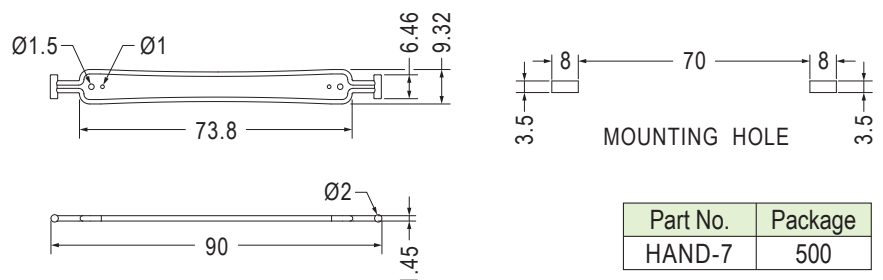


Part No.	Package
HAND-40	500



- Material: Nylon 66 (UL)
- Flame Class: 94V-2/94V-0
- Color: Natural/Black/Green
- Unit: mm

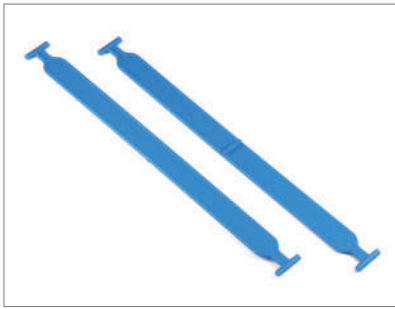
用途：用於PC板之拉拔。



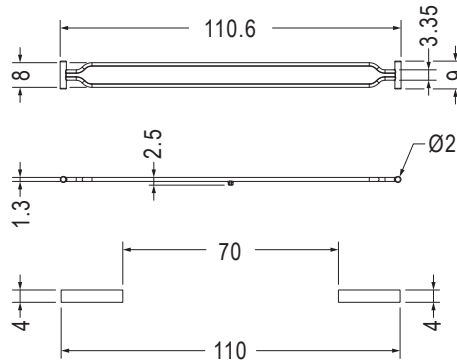
Part No.	Package
HAND-7	500

外箱把手 BOX HANDLE

用途：做為把手使用。



- Material: Nylon 66 (UL)
- Flame Class: 94V-0
- Color: Blue
- Unit: mm

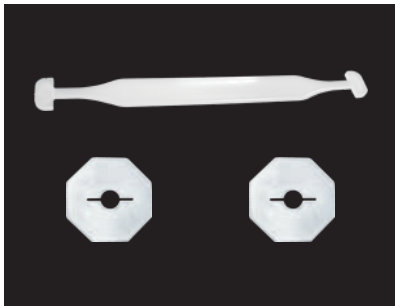


MOUNTING HOLE THICKNESS 0.8



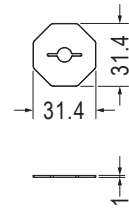
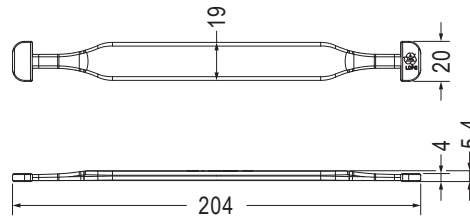
Part No.	Package
HAND-122	500

3



- Material: PE
- Color: Natural
- Unit: mm

用途：用於包裝盒上，HANDN26A配合 HAND-26B使用，組裝方便。



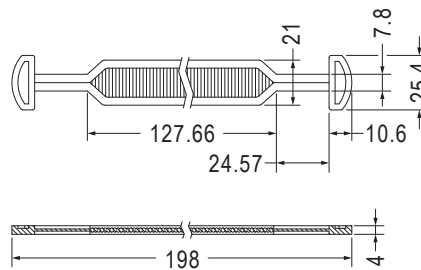
Part No.	Package
HANDN26A	100

Part No.	Package
HAND-26B	100

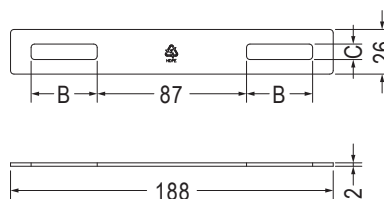
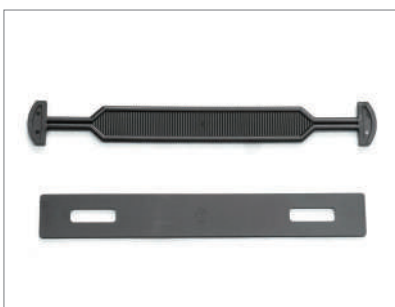


- Material: PE
- Color: Natural/Black
- Unit: mm

用途：用於包裝盒上，HAND-1配合 HAND-2或HAND-65使用，組裝方便。



Part No.	Package
HAND-1	100



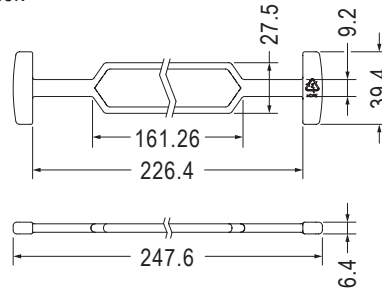
Part No.	B	C	Package
HAND-2	38.5	9.0	100
HAND-65	26.2	8.4	

外箱把手 BOX HANDLE

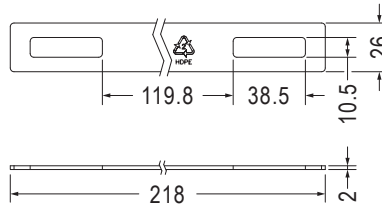
用途：用於包裝盒上，HAND-12配合
HAND-13使用，組裝方便。



- Material: PE
- Color: Black
- Unit: mm



Part No.	Package
HAND-12	100

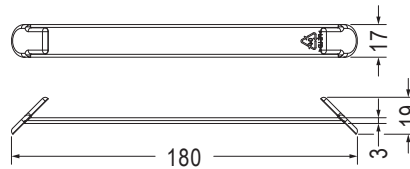


Part No.	Package
HAND-13	100

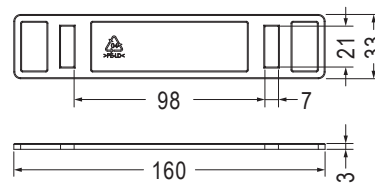
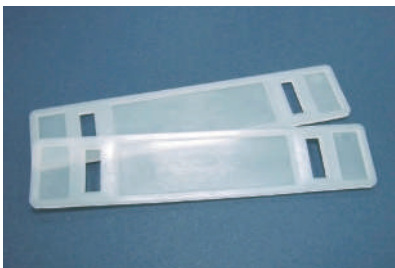


- Material: PE
- Color: Natural
- Unit: mm

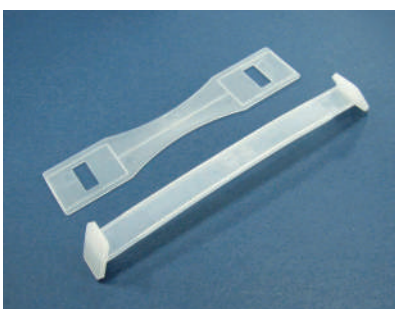
用途：用於包裝盒上，HAND-14A配合
HAND-14B使用，組裝方便。



Part No.	Package
HAND-14A	100

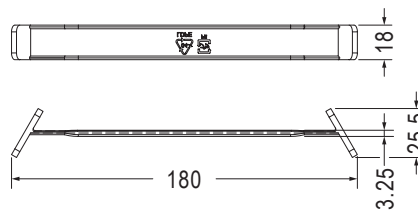


Part No.	Package
HAND-14B	100



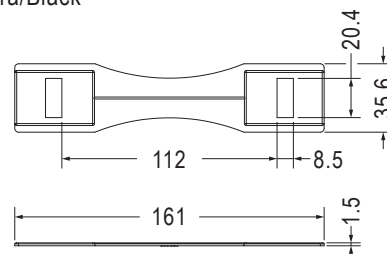
- Material: PE
- Color: Natura/Black
- Unit: mm

用途：用於包裝盒上，HAND-23A配合
HAND-23B使用，組裝方便。



Part No.	Package
HAND-23A	100

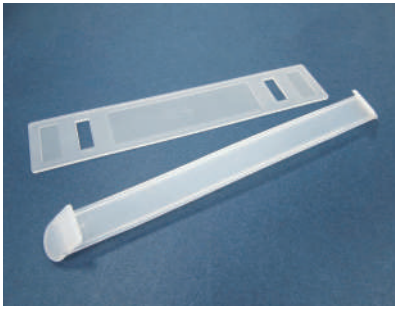
- Material: PP
- Color: Natura/Black
- Unit: mm



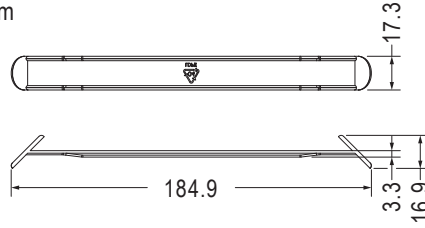
Part No.	Package
HAND-23B	100

外箱把手 BOX HANDLE

用途：用於包裝盒上，HAND-75A配合
HAND-75B使用，組裝方便。

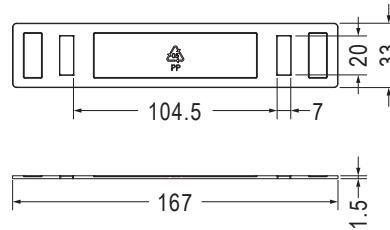


- Material: PE
- Color: Natural
- Unit: mm



Part No.	Package
HAND-75A	100

- Material: PP
- Color: Natural
- Unit: mm



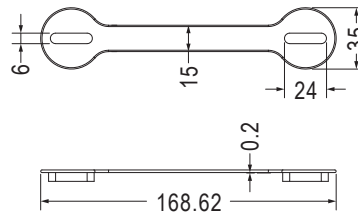
Part No.	Package
HAND-75B	100

3

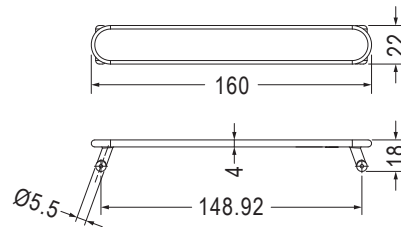


- Material: PE
- Color: Black
- Unit: mm

用途：用於包裝盒上，HAND-120A配合
HAND-120B使用，組裝方便。



Part No.	Package
HAND-120A	100



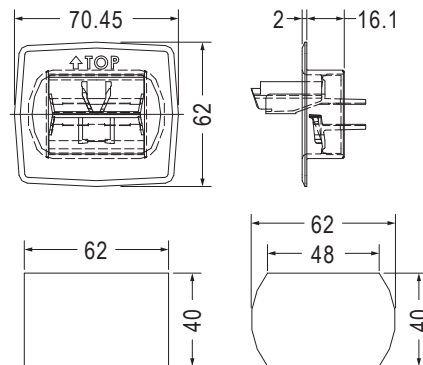
Part No.	Package
HAND-120B	100

外箱扣 BOX HANDLE

用途：用於包裝盒上，組裝方便。



- Material: PP
- Color: Natural/Black
- Unit: mm



Part No.	Package
CABOX-1	50

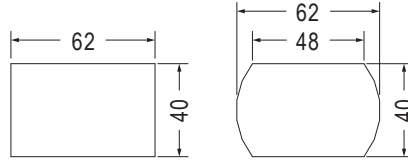
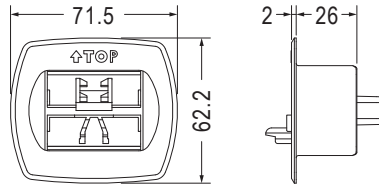
MOUNTING HOLE MOUNTING HOLE
裝配孔以上兩者皆可

外箱扣 BOX HANDLE

用途：用於包裝盒上，組裝方便。



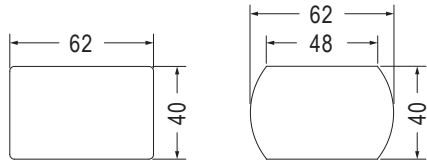
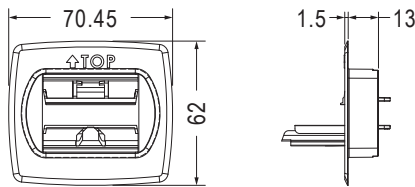
- Material: PP
- Color: Natural/Black
- Unit: mm



MOUNTING HOLE MOUNTING HOLE

裝配孔以上兩者皆可

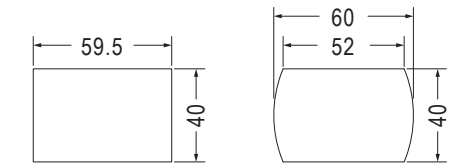
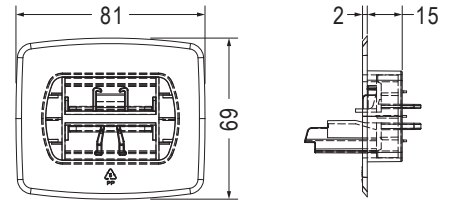
Part No.	Package
CABOX-3	50



MOUNTING HOLE MOUNTING HOLE

裝配孔以上兩者皆可

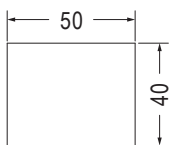
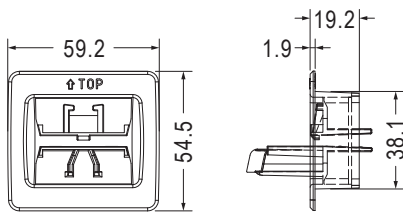
Part No.	Package
CABOX-5	50



MOUNTING HOLE MOUNTING HOLE

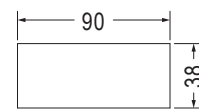
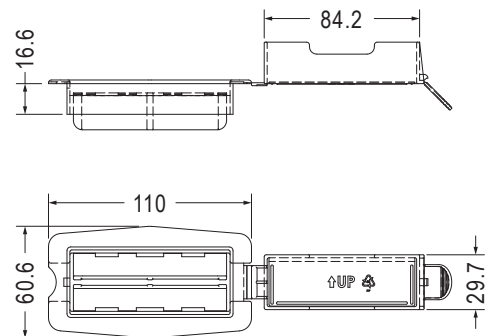
裝配孔以上兩者皆可

Part No.	Package
CABOX-6	40



MOUNTING HOLE

Part No.	Package
CABOX-7	50



MOUNTING HOLE

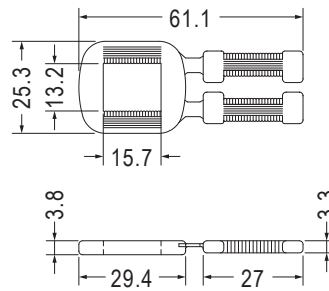
Part No.	Package
CABOX-2	25

打包扣 PACKING FASTENER

用途：用於打包繩束線用，整齊美觀方便拆卸。



- Material: PP
- Color: Natural
- Unit: mm



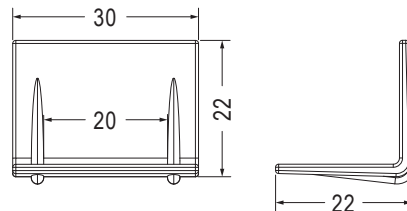
Part No.	Package
CTBX-1	250

外箱護腳墊 BOX EDGE PROTECTOR

用途：用於外箱打包機，避免外箱打凹變形。



- Material: PP
- Color: Black
- Unit: mm

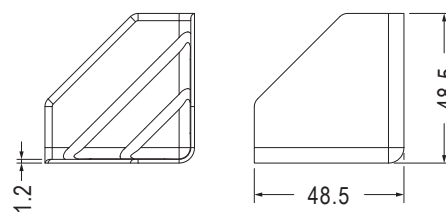


Part No.	Package
CTBXA-1	500



- Material: PP
- Color: Black
- Unit: mm

用途：以膠帶固定於外箱邊角，避免8個角撞擊變凹。



NEW

Part No.	Package
CTBXA-3	100