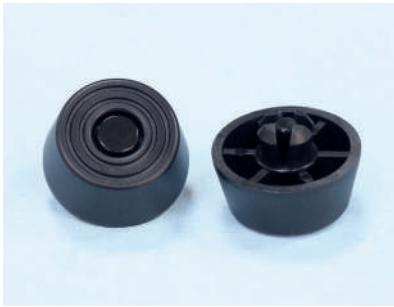
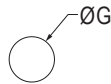
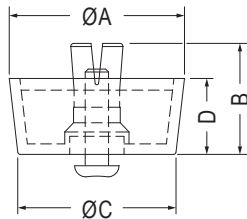


腳墊 PLASTIC FOOT

用途：插銷式，可快速將腳墊固定於機殼，不脫落。



- Material: PE/TPR/TPV (UL)
- Flame Class: 94HB
- Pin Material: PP
- Color: Black/Gray/Computer
- Unit: mm

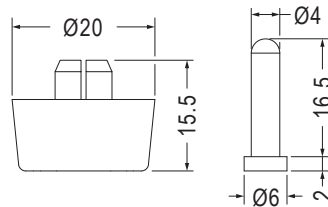


MOUNTING HOLE THICKNESS: T

| Part No. | A | B | C | D | G | T | Package |
|----------|------|------|------|------|------|---------|---------|
| FF-1 | 20.8 | 11.8 | 19.8 | 6.4 | 8.0 | 1.0~2.5 | 500 |
| FF-2 | 20.0 | 15.4 | 18.0 | 10.0 | 8.0 | 1.0~2.5 | |
| FF-3 | 23.7 | 19.2 | 19.5 | 13.7 | 8.0 | 1.0~2.5 | 250 |
| FF-4 | 25.0 | 12.5 | 23.5 | 6.5 | 8.0 | 1.0~2.5 | 500 |
| FF-5 | 30.0 | 18.8 | 27.7 | 12.8 | 8.0 | 1.0~2.5 | 200 |
| FF-6 | 28.5 | 14.0 | 26.5 | 8.2 | 10.0 | 1.0~3.5 | 250 |
| FF-7 | 12.7 | 8.5 | 12.0 | 4.4 | 5.0 | 1.0~2.0 | 1000 |
| FF-8 | 15.7 | 8.5 | 15.0 | 4.4 | 5.0 | 1.0~2.0 | |
| FF-9 | 20.0 | 7.0 | 18.6 | 4.0 | 8.0 | 1.0~2.0 | 500 |
| FF-10 | 23.8 | 10.0 | 22.0 | 5.0 | 8.0 | 1.0~2.5 | |
| FF-11 | 31.5 | 13.6 | 28.5 | 7.8 | 10.0 | 1.0~3.5 | 250 |
| FF-12 | 20.0 | 20.8 | 18.0 | 15.0 | 8.0 | 1.0~3.0 | |
| FF-13 | 20.0 | 24.3 | 18.0 | 18.0 | 8.0 | 0.8~1.0 | 500 |
| FF-14 | 19.5 | 10.5 | 18.7 | 5.0 | 8.0 | 0.8~2.0 | 500 |
| FF-16 | 29.4 | 23.0 | 26.5 | 15.0 | 10.0 | 1.0~3.5 | 100 |
| FF-19 | 20.0 | 9.1 | 18.0 | 6.0 | 4.0 | 0.8 | 1000 |
| FF-20 | 20.0 | 8.4 | 18.0 | 5.2 | 5.0 | 0.8 | |
| FF-21 | 20.0 | 25.6 | 19.3 | 20.5 | 8.0 | 0.8~2.0 | 250 |
| FF-22 | 19.2 | 12.1 | 17.2 | 7.9 | 8.0 | 0.8~1.2 | 500 |
| FF-24 | 23.0 | 13.3 | 21.0 | 8.0 | 8.0 | 0.8~2.0 | |
| FF-25 | 24.0 | 15.8 | 20.0 | 10.5 | 8.0 | 0.8~2.0 | 250 |
| FF-26 | 22.0 | 10.5 | 21.0 | 3.5 | 8.0 | 1.0~3.0 | 500 |
| FF-27 | 26.7 | 21.0 | 24.8 | 16.0 | 8.0 | 1.0~3.0 | 200 |
| FF-28 | 20.0 | 13.5 | 18.0 | 10.0 | 8.0 | 0.8~2.0 | 250 |
| FF-31 | 27.0 | 12.0 | 26.0 | 6.9 | 10.0 | 0.8~2.0 | |
| FF-34 | 41.2 | 21.6 | 40.0 | 14.0 | 10.0 | 0.8~2.0 | 100 |
| FF-35 | 14.0 | 10.6 | 12.7 | 5.8 | 6.0 | 1.0~2.5 | 1000 |
| FF-36 | 22.0 | 10.5 | 20.0 | 3.5 | 8.0 | 1.0~3.0 | 500 |
| FF-41 | 20.8 | 12.6 | 19.8 | 7.2 | 8.0 | 1.0~2.5 | |
| FF-43 | 12.0 | 10.0 | 10.5 | 5.8 | 5.0 | 1.0~2.5 | 1000 |
| FF-44 | 20.8 | 11.8 | 19.8 | 6.9 | 8.0 | 1.0~2.5 | 500 |
| FF-51 | 20.0 | 17.8 | 18.0 | 14.0 | 5.0 | 1.6 | |
| FF-58 | 25.0 | 10.5 | 23.0 | 5.0 | 8.0 | 0.8~1.5 | 250 |



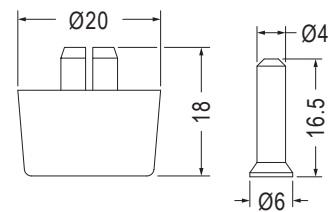
- Body Material: TPV
- Pin Material: PP
- Color: Black
- Unit: mm



BODY

PIN

MOUNTING HOLE Ø8.0~Ø8.1
THICKNESS 0.8~1.5



BODY

PIN

MOUNTING HOLE Ø8.0~Ø8.1
THICKNESS 0.5~1.2

| Part No. | Part No. | Package |
|----------|------------------|---------|
| FF-56 | FF-56A FF-56B | 1000 |

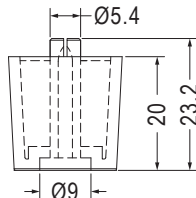
| Part No. | Part No. | Package |
|----------|------------------|---------|
| FF-57 | FF-57A FF-57B | 1000 |

腳墊 PLASTIC FOOT

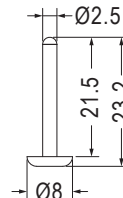
用途：插銷式，可快速將腳墊固定於機殼，不脫落。



- Foot Material: TPE (UL)
- Pin Material: Nylon 66 (UL)
- Flame Class: 94V-0
- Color: Black
- Unit: mm



FOOT



PIN

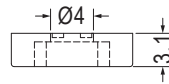
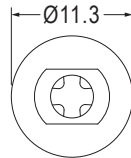
MOUNTING HOLE Ø5.3
THICKNESS 0.8

| Part No. | Part No. | Package |
|----------|---------------------|---------|
| FF-63 | FF-63A SR4.5-21B | 1000 |

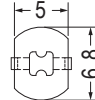
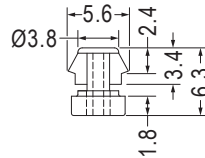


- Foot Material: TPE
- Pin Material: Nylon 66 (UL) 94V-2
- Color: Black
- Unit: mm

用途：插銷式，可快速將腳墊固定於機殼，不脫落，耐重壓。



FOOT



PIN

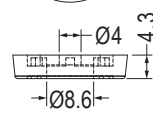
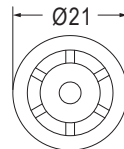
MOUNTING HOLE Ø4.0
THICKNESS 0.8-1.0

| Part No. | Part No. | Package |
|----------|------------------|---------|
| FF-15 | FF-15A FF-15B | 1000 |

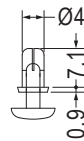


- Foot Material: TPE
- Rivet Material: Nylon 66 (UL) 94V-2
- Color: Black
- Unit: mm

用途：插銷式，可快速將腳墊固定於機殼，不脫落。



FOOT



SNAP RIVET

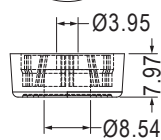
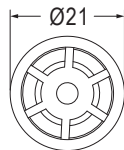
MOUNTING HOLE Ø4.0
THICKNESS 2.5

| Part No. | Part No. | Package |
|----------|-----------------|---------|
| FF-40F | FF-40A SR4-7 | 1000 |

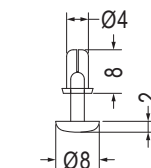


- Foot Material: TPR
- Rivet Material: Nylon 66 (UL) 94V-2
- Color: Black
- Unit: mm

用途：插銷式，可快速將腳墊固定於機殼，不脫落，可更換鉚釘配合不同板厚。



FOOT



SNAP RIVET

MOUNTING HOLE Ø4.1-Ø4.2
THICKNESS 0.8-2.0

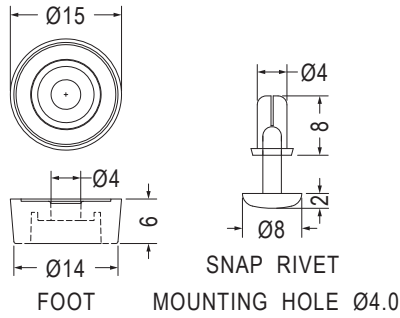
| Part No. | Part No. | Package |
|----------|------------------|---------|
| FF-46F | FF-46A SR4-71 | 1000 |

腳墊 PLASTIC FOOT

用途：插銷式，可快速將腳墊固定於機殼，不脫落，可更換腳釘配合不同板厚。

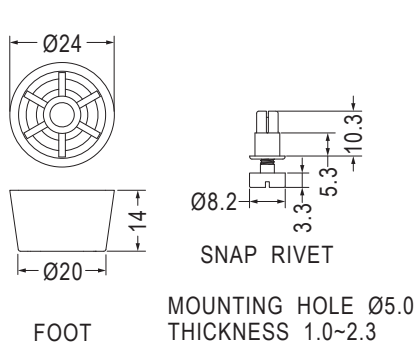


- Foot Material: TPV
- Rivet Material: Nylon 66 (UL) 94V-2
- Color: Black
- Unit: mm

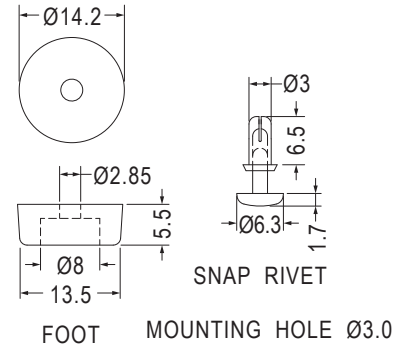


| Part No. | Part No. | Package |
|----------|-----------------|---------|
| FF-47F | FF-47A SR4-7 | 1000 |

- Foot Material: TPE
- Rivet Material: Nylon 66 (UL)
- Flame Class: 94V-2/94V-0
- Color: Black
- Unit: mm



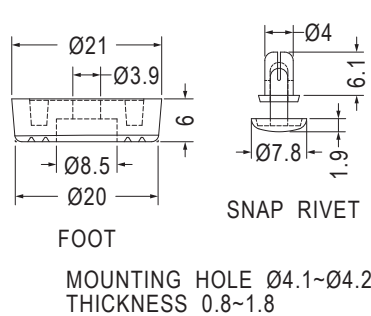
| Part No. | Part No. | Package |
|----------|------------------|---------|
| FF-52F | FF-52A SRMB-1 | 1000 |



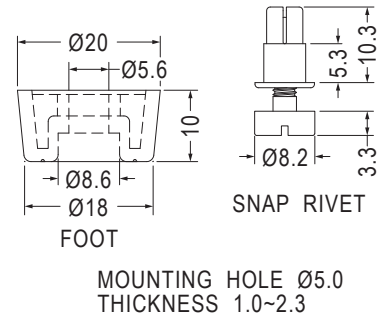
| Part No. | Part No. | Package |
|----------|-------------------|---------|
| FF-55F | FF-55A SR3-5.5 | 1000 |



- Foot Material: TPV (UL)
- Rivet Material: Nylon 66 (UL)
- Flame Class: 94HB/94V-2/94V-0
- Color: Black
- Unit: mm



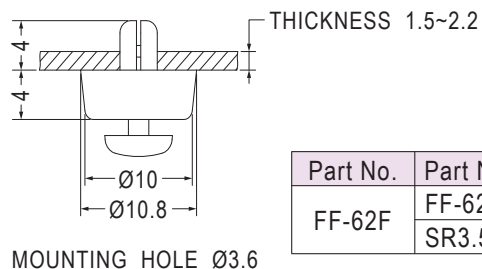
| Part No. | Part No. | Package |
|----------|-----------------|---------|
| FF-59F | FF-59A SR4-6 | 1000 |



| Part No. | Part No. | Package |
|----------|------------------|---------|
| FF-60F | FF-60A SRMB-1 | 1000 |



- Foot Material: TPE (UL)
- Rivet Material: Nylon 66 (UL)
- Flame Class: 94HB/94V-2
- Foot Color: Gray
- Rivet Color: Black
- Unit: mm



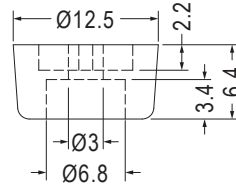
| Part No. | Part No. | Package |
|----------|-------------------|---------|
| FF-62F | FF-62A SR3.5-6 | 1000 |

腳墊 PLASTIC FOOT

用途：可快速將腳墊固定於機殼，不脫落。



- Material: TPE
- Color: Black
- Unit: mm

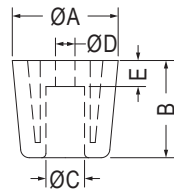


| Part No. | Package |
|----------|---------|
| FF-37 | 1000 |



- Material: ABS/PP/TPE/TPR
- Color: Black
- Unit: mm

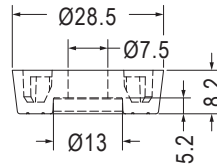
用途：機械外殼之座墊，使用螺絲固定，安全不脫落，耐重壓。



| Part No. | A | B | C | D | E | Material | Package |
|----------|------|------|-------|-----|-----|----------|---------|
| FFT-1 | 15.0 | 8.0 | 7.5 | 3.7 | 3.5 | ABS | 1000 |
| FFT-2 | 20.0 | 12.1 | 8.2 | 4.1 | 5.5 | ABS | 500 |
| FFT-3 | 25.1 | 16.2 | 10.4 | 4.3 | 8.1 | ABS | 100 |
| FFT-4 | 24.4 | 22.4 | 8.9 | 4.6 | 6.0 | ABS/PP | |
| FFT-5 | 26.0 | 12.7 | 10.9 | 5.1 | 5.7 | ABS | |
| FFT-6 | 22.5 | 22.4 | 8.6 | 4.6 | 6.0 | ABS | |
| FFT-7 | 17.0 | 17.0 | 7.5 | 3.2 | 6.0 | ABS/TPE | 500 |
| FFT-8 | 19.8 | 20.0 | 9.5 | 4.2 | 5.7 | PP | |
| FFT-9 | 20.0 | 12.8 | 9.5 | 3.6 | 5.7 | EVA | |
| FFT-10 | 20.0 | 10.5 | 9.2 | 4.4 | 4.0 | PP | |
| FFT-11 | 28.5 | 8.2 | 11.29 | 7.1 | 6.0 | TPR | 100 |



- Material: TPR
- Color: Black
- Unit: mm

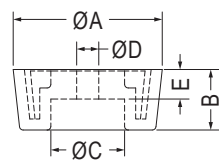
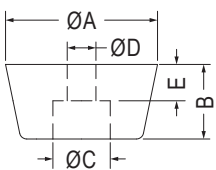


| Part No. | Package |
|----------|---------|
| FFT-15 | 200 |



- Material: PE/PP/Rubber/Silicon Rubber
- Color: Black
- Unit: mm

用途：機械外殼之座墊，使用螺絲固定，安全不脫落。

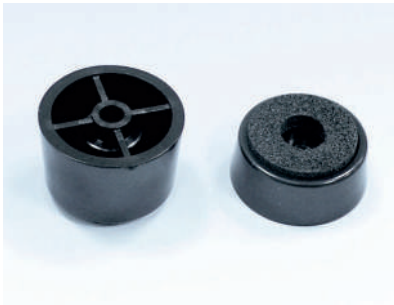


[NF-001, NF-006, NF-007, NF-008, NF-008A, NF-014]

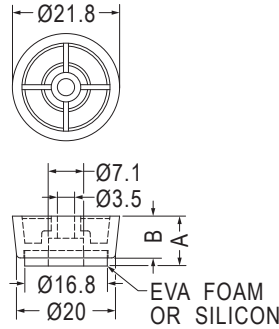
| Part No. | A | B | C | D | E | Material | Package |
|----------|------|------|------|-----|-----|----------------|---------|
| NF-001 | 14.8 | 7.0 | 6.0 | 3.0 | 3.1 | PE | 1000 |
| NF-002 | 11.5 | 7.4 | 5.6 | 3.2 | 3.3 | Rubber | |
| NF-004 | 16.0 | 7.8 | 6.0 | 3.0 | 3.5 | Rubber | |
| NF-005 | 17.2 | 7.0 | 9.0 | 4.0 | 3.0 | Rubber | |
| NF-006 | 20.2 | 8.0 | 10.0 | 3.0 | 4.0 | PE | 500 |
| NF-007 | 25.0 | 5.8 | 8.5 | 3.3 | 2.8 | PE | |
| NF-007I | 25.0 | 5.8 | 8.5 | 3.3 | 3.0 | Silicon Rubber | |
| NF-008 | 20.0 | 10.5 | 9.8 | 3.0 | 5.0 | PE | |
| NF-008A | 20.0 | 10.5 | 9.8 | 4.0 | 5.0 | PE | 1000 |
| NF-009 | 11.0 | 5.7 | 6.0 | 3.5 | 2.5 | PE/PP | |
| NF-013 | 18.0 | 9.8 | 7.8 | 3.5 | 2.7 | PP | |
| NF-014 | 28.0 | 20.0 | 9.7 | 3.8 | 6.0 | PE/PP | |
| NF-018 | 28.0 | 25.0 | 9.7 | 4.2 | 6.0 | Rubber | 100 |
| NF-020 | 20.2 | 15.0 | 9.4 | 3.5 | 4.0 | Rubber | |
| NF-046 | 22.0 | 14.0 | 9.5 | 4.0 | 6.5 | Rubber | |

腳墊 PLASTIC FOOT

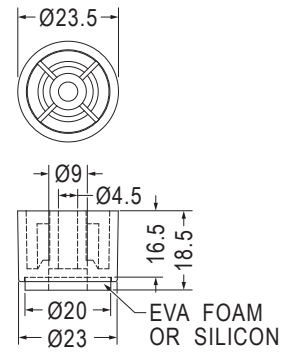
用途：螺絲式，將腳墊固定於機殼，下有泡棉或矽膠，抗滑性佳。



- Material: ABS
- Color: Black
- Unit: mm



| Part No. | A | B | Package |
|----------|------|------|---------|
| FFS-1 | 10.0 | 8.5 | 500 |
| FFS-2 | 15.0 | 13.5 | |

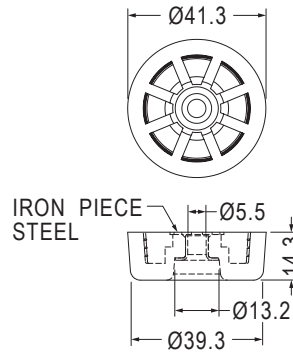


| Part No. | Package |
|----------|---------|
| FFS-5 | 500 |



- Housing Material: TPR
- Color: Black
- Unit: mm

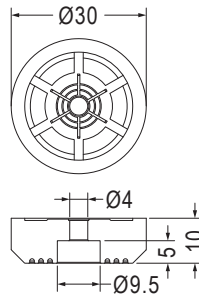
用途：機械外殼之座墊，使用螺絲固定，安全不脫落，耐重壓。



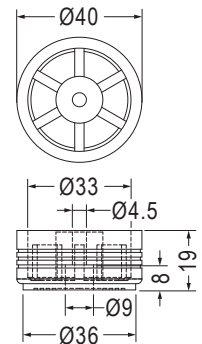
| Part No. | Package |
|----------|---------|
| FFR-1 | 50 |



- Material: TPE
- Color: Black
- Unit: mm



| Part No. | Package |
|----------|---------|
| FFP-30 | 250 |



| Part No. | Package |
|----------|---------|
| FFP-40 | 50 |

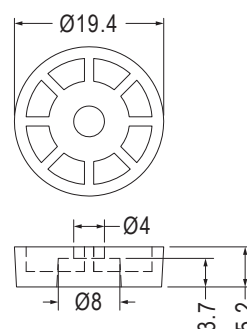
橡膠腳墊 RUBBER FOOT

用途：用於機器、電子儀器之腳墊，可自黏或螺絲固定兩用。



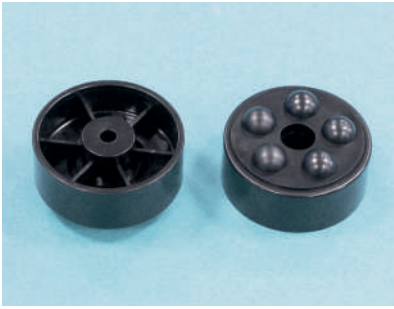
- Material: Rubber
- Color: Black
- Unit: mm

3M or T4000
DOUBLE ADHESIVE TAPE
高度尺寸不含背膠

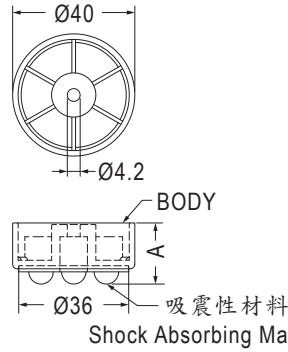


| Part No. | Package |
|----------|---------|
| TF-605 | 1000 |

抗震腳墊 ANTI-VIBRATION FOOT



- Housing Material: ABS
- Pad Material: TPE
- Color: Black
- Unit: mm



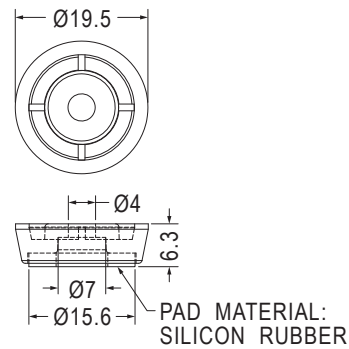
| Part No. | A | Package |
|----------|------|---------|
| FFQ-1 | 20.0 | 500 |
| FFQ-2 | 12.0 | |

用途：特殊吸震材料，用於需抗震之重低音音響、影碟機等之防震腳墊，裝配容易、美觀防震性佳。

腳墊 PLASTIC FOOT



- Housing Material: ABS
- Color: Black
- Unit: mm

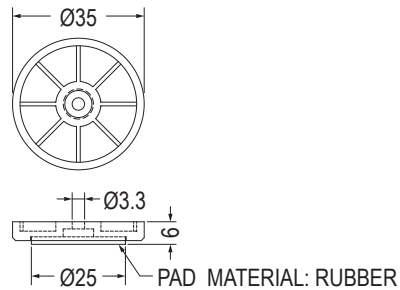


| Part No. |
|----------|
| FFK-6I |

用途：用於音響、影碟機等之腳墊，裝配容易、美觀。



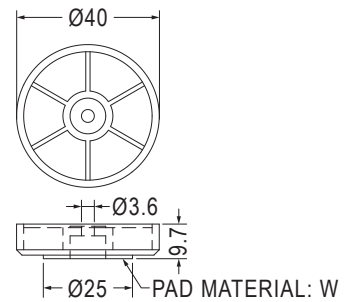
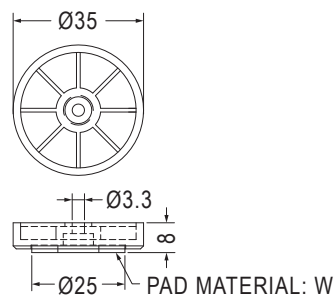
- Housing Material: ABS (UL)
- Housing Flame Class: 94HB
- Color: Black
- Unit: mm



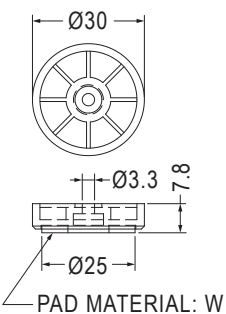
| Part No. |
|-----------|
| FFK-5(RU) |



- Housing Material: ABS
- Color: Black
- Unit: mm
- FFK Series: Without Silver/Gold Covering



- FFK-4P: 外部霧面處理
- FFK-4P: Matte finished surface

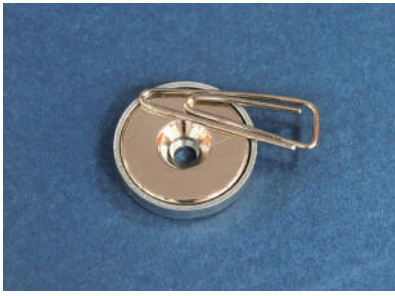


| Part No. | W |
|-----------|--------|
| FFK-1 | EVA |
| FFK-1P | Poron |
| FFK-1(RU) | Rubber |

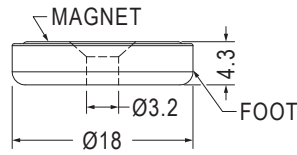
| Part No. | W |
|-----------|--------|
| FFK-3 | EVA |
| FFK-3P | Poron |
| FFK-3(RU) | Rubber |

| Part No. | W |
|-----------|--------|
| FFK-2 | EVA |
| FFK-2P | Poron |
| FFK-2(RU) | Rubber |
| FFK-4P | Poron |

磁鐵腳墊 MAGNET PLASTIC FOOT

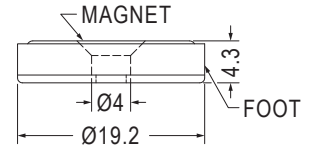


- Foot Material: Nylon 66 (UL)
- Magnet Material: NdFeB
- Flame Class: 94V-2/94V-0
- Color: Natural/Black
- Unit: mm



| Part No. | Package |
|----------|---------|
| MGFA-2 | 1000 |

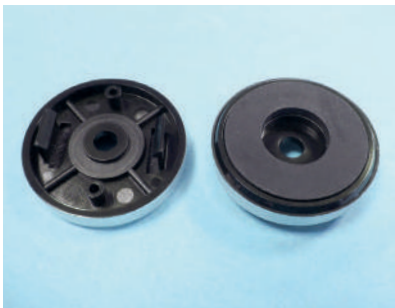
用途：磁鐵腳墊，可將HUB吸著於鐵板上。



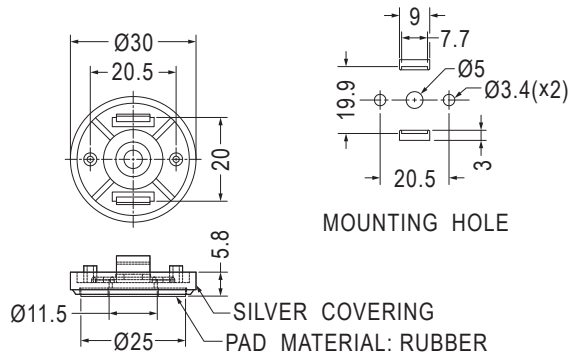
- Foot Material: Steel

| Part No. | Package |
|----------|---------|
| MGFF-4 | 1000 |

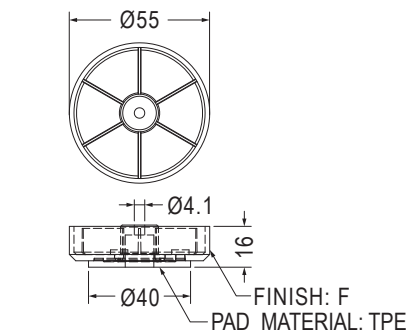
銀框腳墊 SILVER COVERING FOOT



- Housing Material: ABS
- Color: Black
- Unit: mm



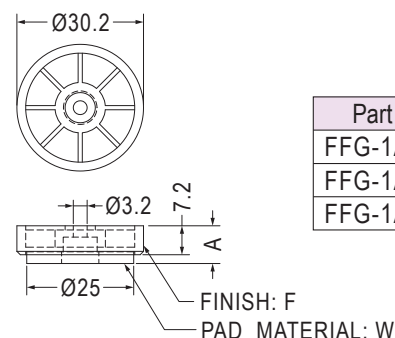
| Part No. |
|-------------|
| FFH-30S(RU) |



| Part No. | F |
|----------|-----------------|
| RS-61N | |
| RS-61S | Silver Covering |



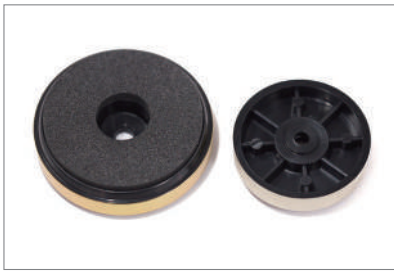
- Housing Material: ABS (UL)
- Flame Class: 94HB
- Color: Black
- Unit: mm



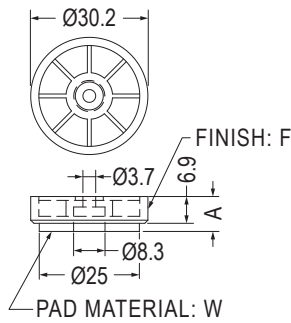
| Part No. | A | F | W |
|------------|-----|-----------------|--------|
| FFG-1A | 9.1 | Silver Covering | EVA |
| FFG-1A(N) | 9.1 | | EVA |
| FFG-1A(RU) | 8.2 | Silver Covering | Rubber |

金框腳墊 GOLD COVERING FOOT

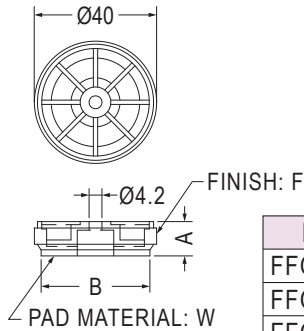
用途：用於音響、影碟機等之腳墊，裝配容易、美觀。



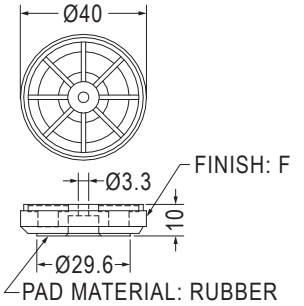
- Housing Material: ABS
- Color: Black
- Unit: mm



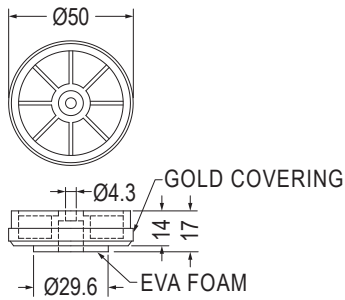
| Part No. | A | F | W |
|------------|-----|-----------------|--------|
| FFG-1 | 9.0 | Silver Covering | EVA |
| FFG-1(RU) | 8.0 | Silver Covering | Rubber |
| FFG-1G(RU) | 8.0 | Gold Covering | Rubber |
| FFG-1N | | Silver Covering | |



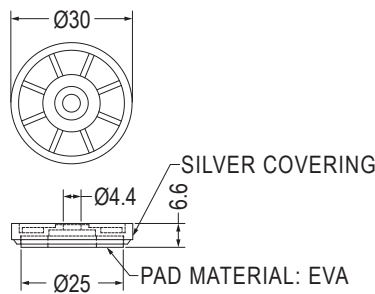
| Part No. | A | B | F | W |
|-------------|------|------|-----------------|--------|
| FFG-2A | 10.8 | 35.5 | Gold Covering | EVA |
| FFG-2A(RU) | 10.2 | 35.5 | Gold Covering | Rubber |
| FFG-2A(S) | 11.0 | 35.0 | Silver Covering | EVA |
| FFG-2AS(RU) | 10.2 | 35.5 | Silver Covering | Rubber |



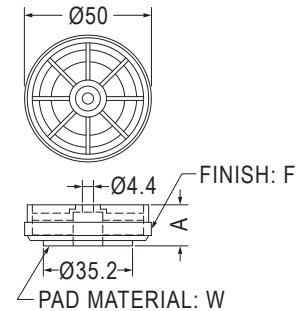
| Part No. | F |
|----------|-----------------|
| FFG-2 | Gold Covering |
| FFG-2(S) | Silver Covering |



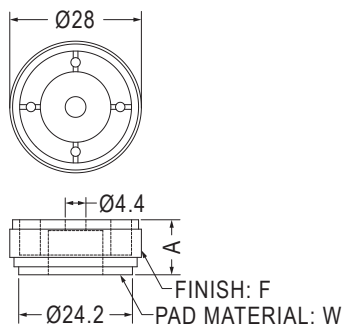
| Part No. |
|----------|
| FFG-3 |



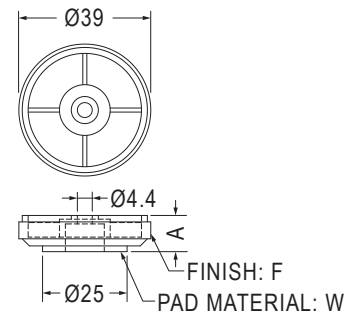
| Part No. |
|-----------|
| FFG-30(S) |



| Part No. | A | F | W |
|-------------|------|-----------------|--------|
| FFG-3A | 16.2 | Gold Covering | EVA |
| FFG-3A(RU) | 15.4 | Gold Covering | Rubber |
| FFG-3A(S) | 16.0 | Silver Covering | EVA |
| FFG-3A(G)N | | Gold Covering | |
| FFG-3AN | 16.2 | | EVA |
| FFG-3AN(RU) | 15.4 | | Rubber |



| Part No. | A | F | W |
|------------|------|-----------------------|--------|
| RS-28 | 11.7 | Golden Alum. Covering | EVA |
| RS-28(S) | 11.7 | Silver Alum. Covering | EVA |
| RS-28S(RU) | 10.7 | Silver Alum. Covering | Rubber |
| RS-28N(RU) | 10.7 | | Rubber |
| RS-28(N)N | 10.0 | | |



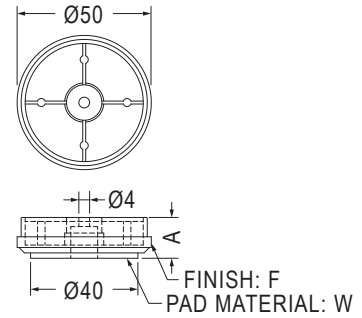
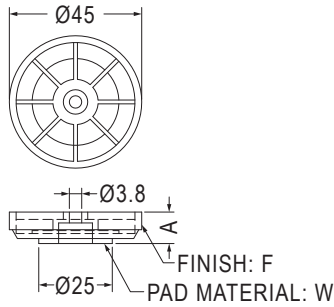
| Part No. | A | F | W |
|------------|------|-----------------------|--------|
| RS-40 | 10.7 | Golden Alum. Covering | EVA |
| RS-40(S) | 10.7 | Silver Alum. Covering | EVA |
| RS-40S(RU) | 9.8 | Silver Alum. Covering | Rubber |

金框腳墊 GOLD COVERING FOOT

用途：用於音響、影碟機等之腳墊，裝配容易、美觀。

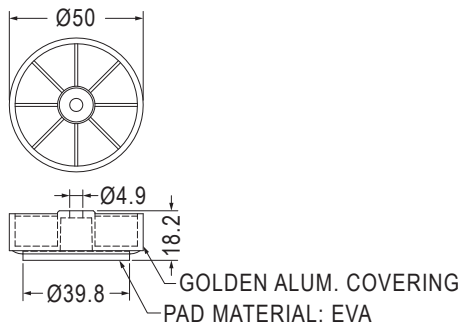


- Housing Material: ABS
- Color: Black
- Unit: mm

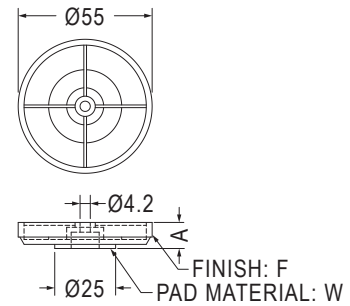


| Part No. | A | F | W |
|------------|------|-----------------------|----------------|
| RS-45 | 10.7 | Golden Alum. Covering | EVA |
| RS-45(S) | 10.7 | Silver Alum. Covering | EVA |
| RS-45(RU) | 9.7 | Golden Alum. Covering | Rubber |
| RS-45S(RU) | 9.7 | Silver Alum. Covering | Rubber |
| RS-45(S)I | 9.7 | Silver Alum. Covering | Silicon Rubber |

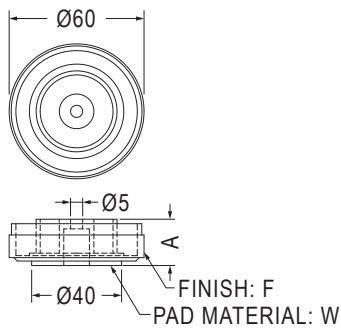
| Part No. | A | F | W |
|------------|------|-----------------|--------|
| RS-50 | 14.8 | Gold Covering | EVA |
| RS-50(RU) | 14.0 | Gold Covering | Rubber |
| RS-50N | 14.8 | | EVA |
| RS-50N(RU) | 14.0 | | Rubber |
| RS-50(S) | 14.8 | Silver Covering | EVA |
| RS-50S(RU) | 14.0 | Silver Covering | Rubber |



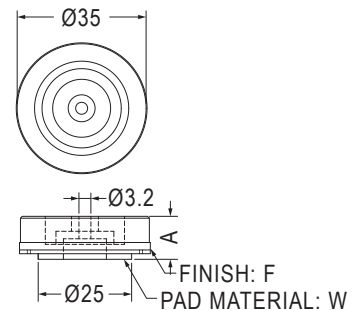
| Part No. |
|----------|
| RS-50-2 |



| Part No. | A | F | W |
|------------|------|-----------------------|--------|
| RS-55 | 10.7 | Golden Alum. Covering | EVA |
| RS-55(S) | 10.7 | Silver Alum. Covering | EVA |
| RS-55S(RU) | 9.7 | Silver Alum. Covering | Rubber |



| Part No. | A | F | W |
|------------|------|-------------------------|--------|
| RS-60N | 20.0 | | EVA |
| RS-60 | 20.0 | Golden Alum. Covering | EVA |
| RS-60(BK) | 20.0 | 鍍黑灰色 Dark Gray Covering | EVA |
| RS-60(S) | 20.0 | Silver Alum. Covering | EVA |
| RS-60(S)RU | 19.3 | Silver Alum. Covering | Rubber |



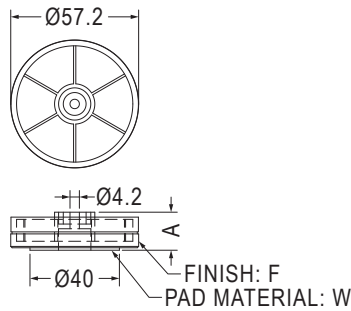
| Part No. | A | F | W |
|------------|------|-----------------------|--------|
| RA-35 | 11.5 | Golden Alum. Covering | EVA |
| RA-35(S) | 11.5 | Silver Alum. Covering | EVA |
| RA-35(S)RU | 10.5 | Silver Alum. Covering | Rubber |

金框腳墊 GOLD COVERING FOOT

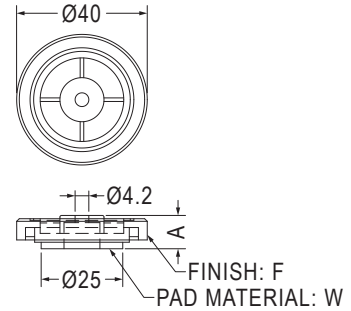
用途：用於音響、錄影機等之腳墊，裝配容易、美觀。



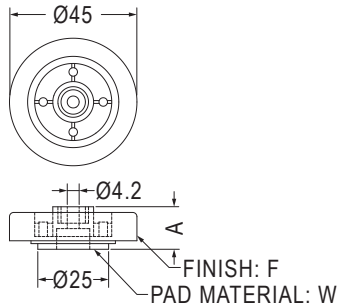
- Housing Material: ABS
- Metal Material: AL
- Color: Black
- Unit: mm



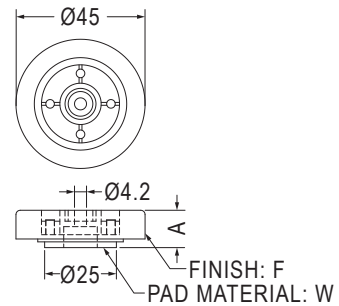
| Part No. | A | F | W |
|------------|------|-----------------------|--------|
| RA-57 | 17.0 | Golden Alum. Covering | EVA |
| RA-57(RU) | 17.1 | Golden Alum. Covering | Rubber |
| RA-57(S) | 17.0 | Silver Alum. Covering | EVA |
| RA-57S(RU) | 17.1 | Silver Alum. Covering | Rubber |



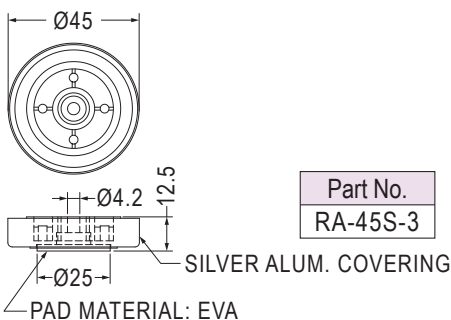
| Part No. | A | F | W |
|------------|------|-----------------------|--------|
| RA-40 | 12.0 | Golden Alum. Covering | EVA |
| RA-40(RU) | 11.0 | Golden Alum. Covering | Rubber |
| RA-40(S) | 12.0 | Silver Alum. Covering | EVA |
| RA-40S(RU) | 11.0 | Silver Alum. Covering | Rubber |
| RA-40(K) | 12.0 | Champagne Color | EVA |



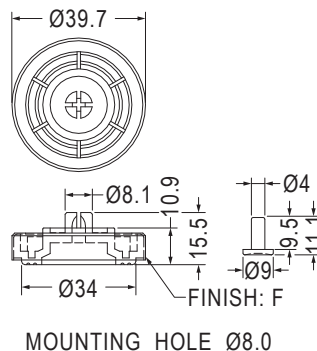
| Part No. | A | F | W |
|------------|------|-----------------------|----------------|
| RA-45 | 15.0 | Golden Alum. Covering | EVA |
| RA-45(S) | 15.0 | Silver Alum. Covering | EVA |
| RA-45(RUS) | 14.0 | Silver Alum. Covering | Rubber |
| RA-45S(RU) | 14.1 | Silver Alum. Covering | Rubber |
| RA-45S(I) | 14.1 | Silver Alum. Covering | Silicon Rubber |



| Part No. | A | F | W |
|--------------|------|-----------------------|--------|
| RA-45S-1 | 12.5 | Silver Alum. Covering | EVA |
| RA-45-1(RU) | 11.5 | Golden Alum. Covering | Rubber |
| RA-45S-1(RU) | 11.5 | Silver Alum. Covering | Rubber |



Part No.
RA-45S-3



- Foot Material: PE
- Pin Material: PP

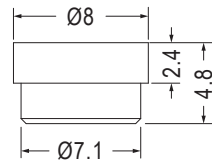
| Part No. | F |
|------------|-----------------------|
| RAFF-40 | Golden Alum. Covering |
| RAFF-40(S) | Silver Alum. Covering |
| RAFF-40(B) | Black Alum. Covering |

橡膠腳墊 RUBBER FOOT

用途：可快速將腳墊固定於機殼，裝配容易，不脫落。



- Material: Rubber
- Color: Black
- Unit: mm

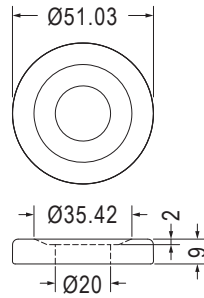


MOUNTING HOLE Ø7.0

| Part No. | Package |
|----------|---------|
| TF-017 | 1000 |



- Material: Rubber
- Color: Black
- Unit: mm



用途：用於機殼之座墊，裝配容易安全不脫落。

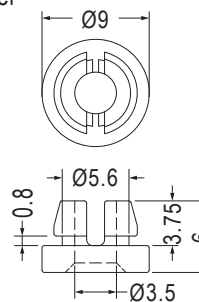
| Part No. | Package |
|----------|---------|
| TF-448 | 500 |

矽膠腳墊 SILICON RUBBER FOOT

用途：可快速將腳墊固定於機殼，裝配容易，不脫落。



- Material: Silicon Rubber
- Color: Black
- Unit: mm



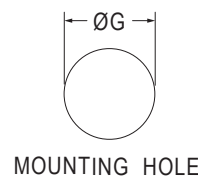
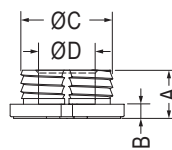
| Part No. | Package |
|----------|---------|
| TF-561 | 1000 |

腳墊 PLASTIC FOOT

用途：固定於機殼，保護用。



- Material: TPR
- Color: Black
- Unit: mm



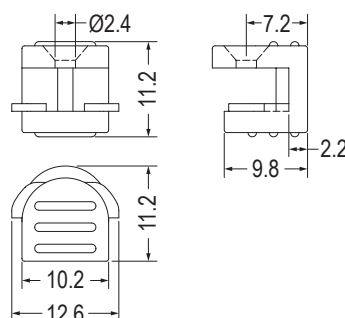
MOUNTING HOLE



| Part No. | A | B | C | D | E | G | Package |
|----------|-----|-----|------|------|------|------|---------|
| TFF-1 | 9.0 | 3.0 | 16.3 | 10.0 | 20.0 | 16.0 | 1000 |
| TFF-2 | 8.5 | 2.5 | 16.3 | 10.0 | 20.0 | 16.0 | |
| TFF-3 | 9.0 | 2.4 | 20.2 | 13.5 | 22.8 | 19.8 | |
| TFF-5 | 7.5 | 2.5 | 16.3 | 10.0 | 20.0 | 16.0 | |



- Material: TPE
- Color: Black
- Unit: mm



用途：可快速將腳墊固定於機殼，裝配容易，不脫落。

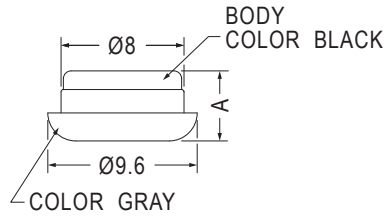
| Part No. | Package |
|----------|---------|
| DELT-21 | 1000 |

矽膠腳墊 SILICON RUBBER FOOT

用途：做為腳墊止滑用。



- Material: Silicon Rubber
- Body Material: Nylon 66 (UL) 94V-2
- Color: Gray
- Body Color: Black
- Unit: mm



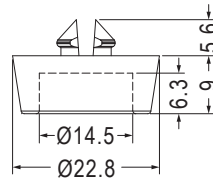
| Part No. | A | Package |
|-----------|------|---------|
| FFDA-9AY | 4.5 | 2000 |
| FFDA-10AY | 4.55 | |

腳墊 PLASTIC FOOT

用途：用於機殼之座墊，裝配容易、安全不脫落。

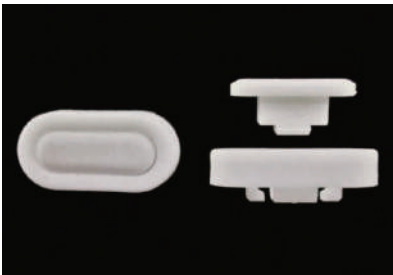


- Material: PE
- Color: Black
- Unit: mm



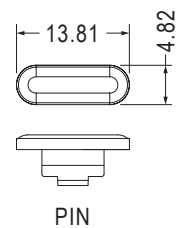
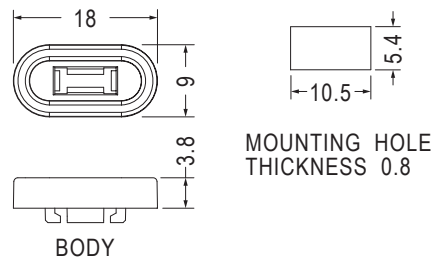
MOUNTING HOLE Ø8.0

| Part No. | Package |
|----------|---------|
| GL-4 | 500 |



- Body Material: TPR
- Pin Material: ABS (UL) 94HB
- Color: Black/White
- Unit: mm

用途：電腦外殼之座墊，使用插銷固定，安全不脫落。



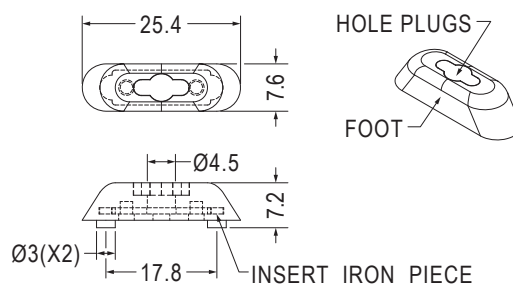
| Part No. | Package |
|----------|---------|
| ASFF-1A | 1000 |

| Part No. | Package |
|----------|---------|
| ASFF-1B | 1000 |



- Material: TPR
- Metal Ring Material: SPCC
- Color: Gray
- Unit: mm

用途：機械外殼之座墊，內含有鐵件，使用螺絲固定，安全不脫落，耐重壓。



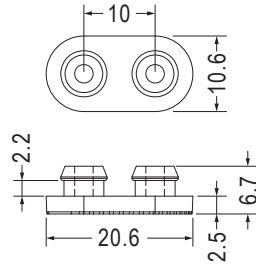
| Part No. | Package |
|----------|---------|
| TF-356F | 1000 |

腳墊 PLASTIC FOOT

用途：可快速將腳墊固定於機殼，裝配容易，不脫落。

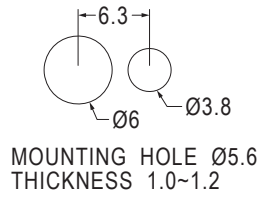
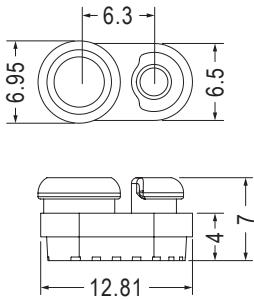


- Material: TPR
- Color: Black
- Unit: mm

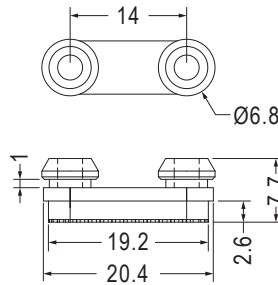


MOUNTING HOLE Ø5.6
THICKNESS 2.0

| Part No. | Package |
|----------|---------|
| TNFF-1 | 1000 |

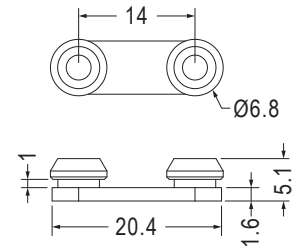


| Part No. | Package |
|----------|---------|
| TNFF-2 | 1000 |



MOUNTING HOLE Ø5.0

| Part No. | Package |
|----------|---------|
| TNFF-3 | 1000 |

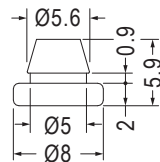


MOUNTING HOLE Ø5.0

| Part No. | Package |
|----------|---------|
| TNFF-4 | 1000 |

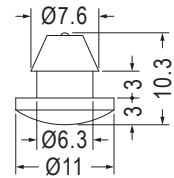


- Material: Silicon Rubber/Rubber
- Color: Black
- Unit: mm



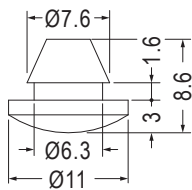
MOUNTING HOLE Ø4.5~Ø5.0

| Part No. | Package |
|----------|---------|
| TNF-7 | 2000 |



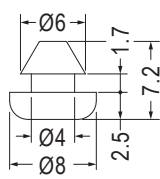
MOUNTING HOLE Ø6.3

| Part No. | Package |
|----------|---------|
| TNF-44 | 2000 |



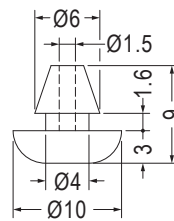
MOUNTING HOLE Ø6.5

| Part No. | Package |
|----------|---------|
| TNF-6 | 2000 |



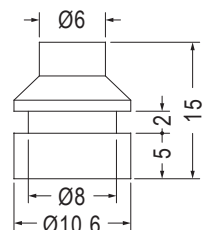
MOUNTING HOLE Ø4.2

| Part No. | Package |
|----------|---------|
| TNF-5 | 1000 |



MOUNTING HOLE Ø4.0

| Part No. | Package |
|----------|---------|
| TNF-41 | 1000 |



MOUNTING HOLE Ø8.2

| Part No. | Package |
|----------|---------|
| TNF-2 | 1000 |

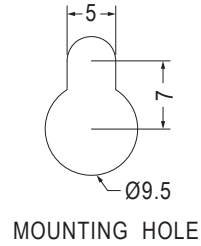
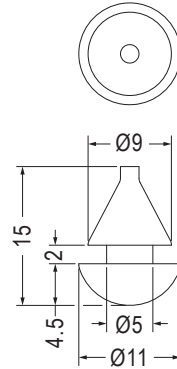
- Material: Neoprene

腳墊 PLASTIC FOOT

用途：可快速將腳墊固定於機殼，裝配容易，不脫落。



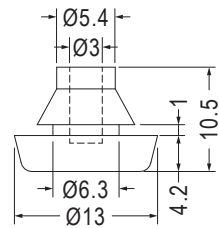
- Material: TPE
- Color: White
- Unit: mm



| Part No. | Package |
|----------|---------|
| TNF-40 | 1000 |

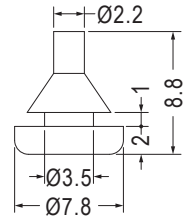


- Material: Rubber
- Color: Black
- Unit: mm



MOUNTING HOLE Ø6.35

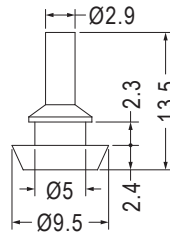
| Part No. | Package |
|----------|---------|
| TNF-3 | 1000 |



MOUNTING HOLE Ø3.5

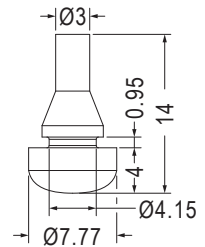
- Material: EPDM

| Part No. | Package |
|----------|---------|
| TF-546 | 1000 |



MOUNTING HOLE Ø5.2

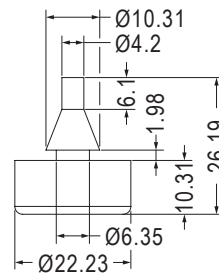
| Part No. | Package |
|----------|---------|
| TNF-1 | 1000 |



MOUNTING HOLE Ø4.2

- Material: Silicon Rubber

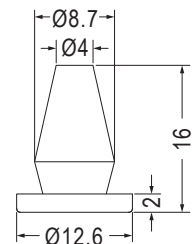
| Part No. | Package |
|----------|---------|
| TF-041 | 1000 |



MOUNTING HOLE Ø8.0
THICKNESS 2.0

- Material: Rubber/
Neoprene

| Part No. | Package |
|----------|---------|
| TNF-15 | 500 |



MOUNTING HOLE Ø7.0

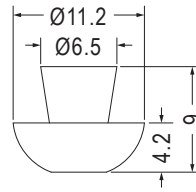
| Part No. | Package |
|----------|---------|
| TNF-47 | 1000 |

腳墊 PLASTIC FOOT

用途：可快速將腳墊固定於機殼，裝配容易，不脫落。

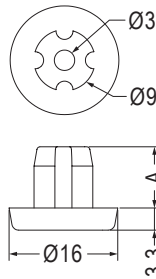


- Material: TPE
- Color: Black
- Unit: mm



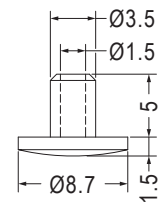
MOUNTING HOLE $\varnothing 5.0$

| Part No. | Package |
|----------|---------|
| TNF-46 | 1000 |



MOUNTING HOLE $\varnothing 8.3 \sim \varnothing 8.5$

| Part No. | A | Package |
|----------|-----|---------|
| TNF-9 | 9.0 | 2000 |
| TNF-19 | 6.5 | |



MOUNTING HOLE $\varnothing 3.5$

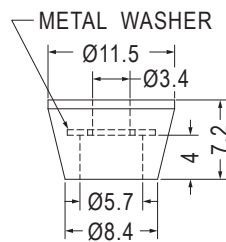
| Part No. | Package |
|----------|---------|
| TF-283 | 1000 |

橡膠腳墊 RUBBER FOOT

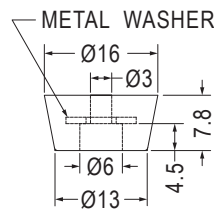
用途：機械外殼之座墊，內含有鐵華司，使用螺絲固定，安全不脫落，耐重壓。



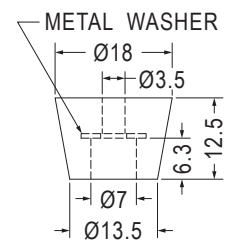
- Material: Rubber
- Color: Black
- Unit: mm



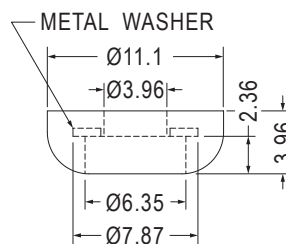
| Part No. | Package |
|----------|---------|
| NF-002ST | 1000 |



| Part No. | Package |
|----------|---------|
| NF-004ST | 1000 |



| Part No. | Package |
|----------|---------|
| NF-039ST | 1000 |



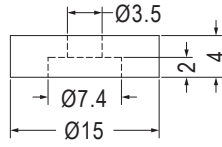
| Part No. | Package |
|----------|---------|
| NF-011ST | 1000 |

橡膠腳墊 RUBBER FOOT

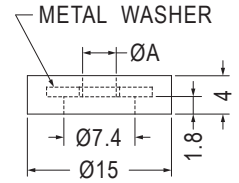
用途：機械外殼之座墊，內含有鐵華司，使用螺絲固定，安全不脫落，耐重壓。



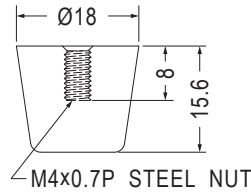
- Material: Rubber
- Color: Black
- Unit: mm



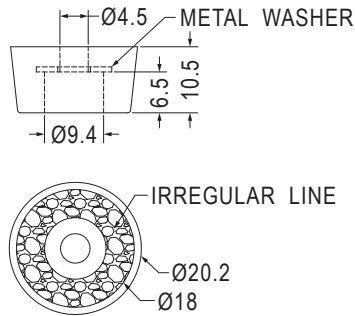
| Part No. | Package |
|----------|---------|
| NF-012 | 1000 |



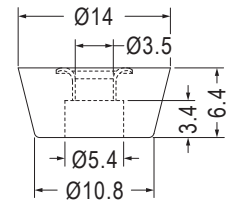
| Part No. | A | Package |
|-------------|-----|---------|
| NF-012ST | 3.5 | 1000 |
| ★NF-012ST-1 | 4.3 | |



| Part No. | Package |
|----------|---------|
| NF-051ST | 1000 |



| Part No. | Package |
|----------|---------|
| NF-015ST | 1000 |

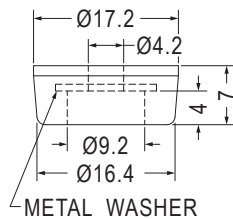


• Metal Ring Material: Bronze

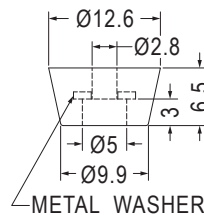
| Part No. | Package |
|----------|---------|
| NF-016ST | 1000 |



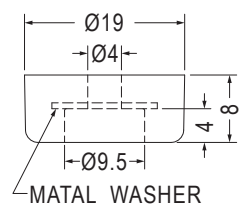
- Material: Silicon Rubber (UL)/Rubber
- Flame Class: 94HB
- Color: Black
- Unit: mm



| Part No. | Package |
|----------|---------|
| NF-005ST | 1000 |



| Part No. | Package |
|-----------|---------|
| NF-030IST | 1000 |

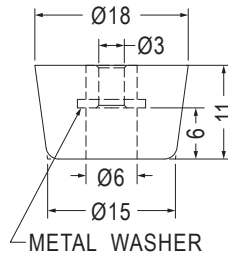


| Part No. | Package |
|----------|---------|
| NF-047ST | 1000 |

橡膠腳墊 RUBBER FOOT

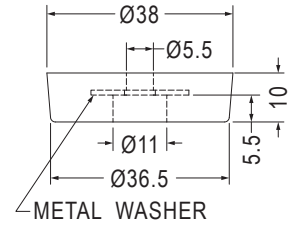


- Material: Silicon Rubber (UL)/Rubber
- Flame Class: 94HB
- Color: Black
- Unit: mm



| Part No. | Package |
|-----------|---------|
| NF-035IST | 1000 |

用途：機械外殼之座墊，內含有鐵華司，使用螺絲固定，安全不脫落，耐重壓。



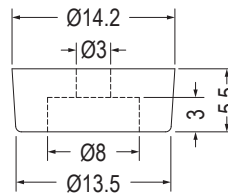
- Material: Rubber

| Part No. | Package |
|----------|---------|
| NF-050ST | 250 |

腳墊 PLASTIC FOOT

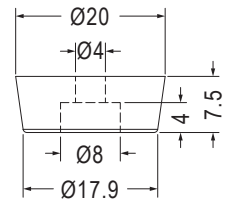


- Material: TPE
- Color: Black
- Unit: mm



| Part No. | Package |
|----------|---------|
| NF-031 | 1000 |

用途：機械外殼之座墊，使用螺絲固定，安全不脫落，耐重壓。



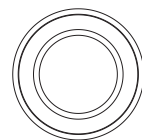
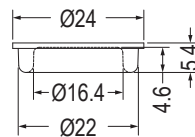
- Material: Rubber

| Part No. | Package |
|----------|---------|
| NF-045 | 1000 |

橡膠腳墊 RUBBER FOOT



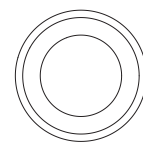
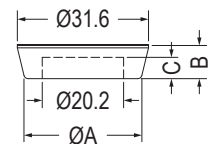
- Material: Rubber
- Color: Black
- Unit: mm



3M or T4000
DOUBLE ADHESIVE TAPE

| Part No. |
|----------|
| RF-031 |

用途：背膠式，可快速將腳墊固定於機械殼，黏性佳、不脫落。



3M or T4000
DOUBLE ADHESIVE TAPE

| Part No. | A | B | C |
|----------|------|-----|-----|
| RF-016 | 29.6 | 6.6 | 4.1 |
| RF-017 | 29.0 | 8.8 | 4.9 |

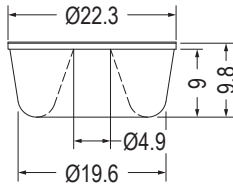
橡膠腳墊 RUBBER FOOT

用途：背膠式，可快速將腳墊固定於機殼，黏性佳、不脫落。



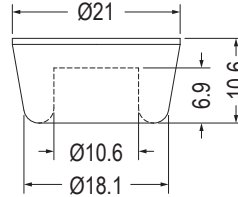
- Material: Rubber
- Color: Black
- Unit: mm

3M or T4000
DOUBLE ADHESIVE TAPE



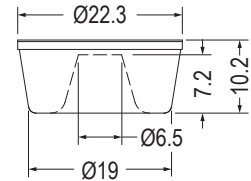
Part No.
RF-018

3M or T4000
DOUBLE ADHESIVE TAPE



Part No.
RF20-10

3M or T4000
DOUBLE ADHESIVE TAPE

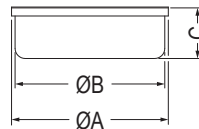


Part No.
RF-029



- Material: Rubber/Silicon Rubber
- Color: Black
- Unit: mm

3M or T4000
DOUBLE ADHESIVE TAPE



| Part No. | A | B | C |
|--------------|-------|-------|------|
| RF5.8-4A | 5.8 | 5.5 | 4.0 |
| RF8-3.5 | 8.0 | 7.7 | 3.5 |
| RF8.2-5 | 8.2 | 7.6 | 5.0 |
| RF9-3.5 | 9.0 | 8.2 | 3.5 |
| RF9.7-4.2A | 9.7 | 9.3 | 4.2 |
| RF15.5-5A | 15.4 | 14.8 | 5.1 |
| RF19-4A7 | 19.05 | 18.05 | 4.06 |
| RF22.8-5 | 22.8 | 22.4 | 5.0 |
| RF22-5 | 22.0 | 21.0 | 5.0 |
| RF22-8.8 | 22.0 | 21.0 | 8.8 |
| ★RF23.8-6.4A | 23.75 | 22.44 | 6.4 |

腳墊 PLASTIC FOOT

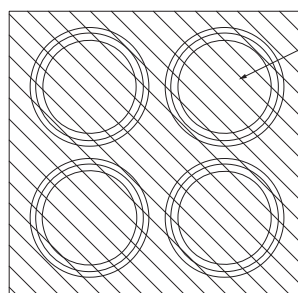
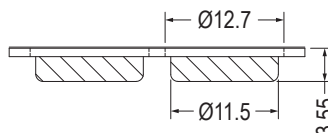
用途：背膠式，可快速將腳墊固定於機殼，黏性佳、不脫落。



- Material: Silicon Rubber
- Color: Black
- Unit: mm

3M 9448
DOUBLE ADHESIVE TAPE
(4PCS=1SET)

高度含背膠高度，但不含離型紙厚度



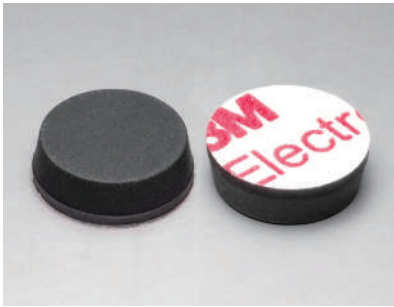
斜線表面區域
皆為鏡面處理



Part No.
RF12.7-3.5A-4P

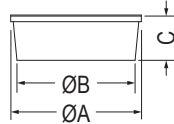
橡膠腳墊 RUBBER FOOT

用途：背膠式，可快速將腳墊固定於機殼，黏性佳、不脫落。

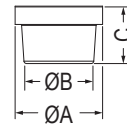


- Material: Rubber/Silicon Rubber
- Color: Black
- Unit: mm
- Other Materials Available: EPDM

3M or T4000
DOUBLE ADHESIVE TAPE



3M or T4000
DOUBLE ADHESIVE TAPE



[RF6-8.4A, RF7-4.2A, RF8-5.5A, RF8-6.5A, RF10-6.2A, RF12-8.5A, RF12.7-6.2A, RF15-13.5A, RF17-11A]

| Part No. | A | B | C |
|------------|------|-----|-----|
| RF3.8-2.5A | 3.8 | 3.5 | 2.5 |
| RF6-5 | 6.0 | 5.0 | 5.0 |
| RF6-8.4A | 6.0 | 5.0 | 8.4 |
| RF7-4.2A | 7.0 | 6.5 | 4.2 |
| RF7-3.2A | 7.0 | 6.6 | 3.2 |
| RF8-5.5A | 8.0 | 6.0 | 5.5 |
| RF8-6.5A | 8.0 | 7.2 | 6.5 |
| RF10-6.2A | 10.0 | 7.5 | 6.2 |
| RF-1094A | 10.0 | 9.0 | 9.4 |
| RF-003 | 10.0 | 9.5 | 4.2 |
| RF-030 | 10.0 | 9.5 | 8.0 |

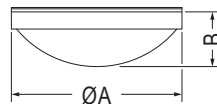
| Part No. | A | B | C |
|-----------|------|------|-----|
| RF-1055 | 10.0 | 9.7 | 5.5 |
| RF-009 | 10.8 | 10.2 | 3.0 |
| RF11-5 | 11.0 | 9.6 | 5.0 |
| RF-011 | 11.0 | 10.5 | 5.0 |
| RF11-3.2A | 11.3 | 10.7 | 3.2 |
| RF-039 | 11.9 | 11.2 | 6.4 |
| RF12-8.5A | 12.0 | 11.0 | 8.5 |
| RF12-27A | 12.0 | 11.6 | 2.7 |
| RF-015 | 12.0 | 11.2 | 5.1 |
| RF-019 | 12.0 | 9.5 | 4.0 |
| RF-019A | 12.7 | 10.0 | 3.8 |

| Part No. | A | B | C |
|-------------|------|-------|------|
| RF12.7-6.2A | 12.7 | 10.0 | 6.2 |
| RF-032 | 12.7 | 11.5 | 4.0 |
| RF-005 | 13.0 | 11.4 | 5.0 |
| RF-012 | 13.0 | 12.2 | 4.5 |
| RF15-11A | 15.0 | 13.5 | 11.0 |
| RF15-13.5A | 15.0 | 13.5 | 13.5 |
| RF17-11A | 17.0 | 13.25 | 11.0 |
| RF-007 | 19.0 | 17.0 | 7.2 |
| RF-020 | 19.0 | 15.8 | 4.2 |
| RF20-5 | 19.8 | 18.0 | 5.0 |
| RF-008 | 20.0 | 19.0 | 6.0 |
| RF24-8 | 24.0 | 20.0 | 8.0 |

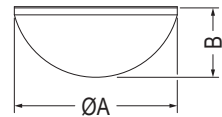


- Material: Rubber/Silicon Rubber
- Color: Black
- Unit: mm
- Other Materials Available: EPDM

3M or T4000
DOUBLE ADHESIVE TAPE



3M or T4000
DOUBLE ADHESIVE TAPE



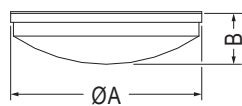
| Part No. | A | B |
|------------|------|------|
| RF-002 | 10.0 | 2.8 |
| RF8-2A | 8.0 | 2.0 |
| RF8-2.6A | 8.0 | 2.6 |
| RF8-3A | 8.0 | 3.0 |
| RF8.8-2.9A | 8.8 | 2.89 |
| RF21.6-11A | 21.6 | 11.0 |

| Part No. | A | B |
|------------|------|------|
| RF-021 | 6.7 | 4.2 |
| RF7.8-2.9A | 7.8 | 2.9 |
| RF9.5-3.9A | 9.5 | 3.9 |
| RF-1106 | 11.0 | 6.0 |
| RF-022 | 11.3 | 5.6 |
| RF14-8A | 14.0 | 8.0 |
| RF-006 | 15.9 | 8.0 |
| RF21-8.5 | 21.6 | 8.52 |
| RF21-10 | 21.6 | 10.0 |

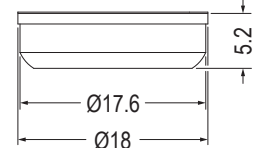


- Material: Rubber
- Color: Black
- Unit: mm

3M or T4000
DOUBLE ADHESIVE TAPE



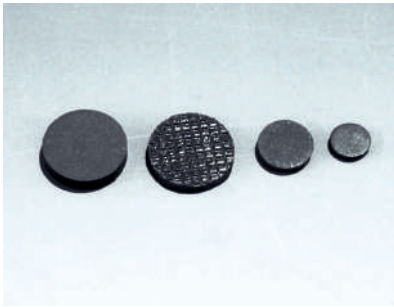
3M or T4000
DOUBLE ADHESIVE TAPE



| Part No. | A | B |
|------------|------|-----|
| RF-004 | 9.9 | 3.8 |
| RF14-5A | 14.0 | 5.0 |
| RF27-7AC-1 | 27.8 | 7.4 |

| Part No. |
|----------|
| RF18-5A |

橡膠腳墊 RUBBER FOOT



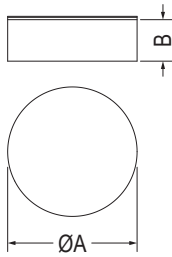
- Material: Rubber/Silicon Rubber
- Color: Black
- Unit: mm
- Other Materials Available: EPDM, Poron
- Optional Thickness: 0.5~3.2mm

用途：背膠式，可快速將腳墊固定於機殼，黏性佳、不脫落。

可依客戶指定長、寬、高裁切成各種形狀，如方形、圓形。表面可分為平面、斜紋等。

Different size available per request.

3M or T4000
DOUBLE ADHESIVE TAPE

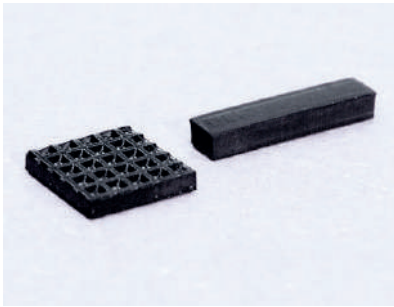


| Part No. | A | B |
|-----------|-----|-----|
| RF3.8-2 | 3.8 | 2.0 |
| RF0415 | 4.0 | 1.5 |
| RF4-0.5 | 4.0 | 0.5 |
| RF4-0.6 | 4.0 | 0.6 |
| RF4-3 | 4.0 | 3.0 |
| RF4.5-1.5 | 4.5 | 1.5 |
| RF4.5-2.7 | 4.5 | 2.7 |
| RF4.8-1 | 4.8 | 1.0 |
| RF5-1.5 | 5.0 | 1.5 |
| RF5-2 | 5.0 | 2.0 |
| RF5-2.5 | 5.0 | 2.5 |
| RF5-3.5 | 5.0 | 3.5 |
| RF5.3-0.7 | 5.3 | 0.7 |
| RF5.5-1.6 | 5.5 | 1.6 |
| RF5.6-2 | 5.6 | 2.0 |
| RF6-0.5 | 6.0 | 0.5 |
| RF6-0.8 | 6.0 | 0.8 |
| RF6-0.9 | 6.0 | 0.9 |
| RF6-1 | 6.0 | 1.0 |
| RF6-1.3 | 6.0 | 1.3 |
| RF6-1.5 | 6.0 | 1.5 |
| RF6-2 | 6.0 | 2.0 |
| RF6-2.5 | 6.0 | 2.5 |
| RF6-3 | 6.0 | 3.0 |
| RF6-3.5 | 6.0 | 3.5 |
| RF6.4-2.6 | 6.4 | 2.6 |
| RF6.5-1 | 6.5 | 1.0 |
| RF6.5-2.5 | 6.5 | 2.5 |
| RF6.6-1.5 | 6.6 | 1.5 |
| RF6.6-1.8 | 6.6 | 1.8 |
| RF6.6-2 | 6.6 | 2.0 |
| RF7-0.5 | 7.0 | 0.5 |
| RF7-0.9 | 7.0 | 0.9 |
| RF7-1 | 7.0 | 1.0 |
| RF7-1.5 | 7.0 | 1.5 |
| RF7-2 | 7.0 | 2.0 |
| RF7-2.5 | 7.0 | 2.5 |
| RF7-2.7 | 7.0 | 2.7 |
| RF7-3 | 7.0 | 3.0 |
| RF7.2-1.5 | 7.2 | 1.5 |
| RF7.5-2 | 7.5 | 2.0 |

| Part No. | A | B |
|-----------|------|-----|
| RF-001 | 8.0 | 1.8 |
| RF8-0.5 | 8.0 | 0.5 |
| RF8-1 | 8.0 | 1.0 |
| RF8-1.4 | 8.0 | 1.4 |
| RF8-1.5 | 8.0 | 1.5 |
| RF8-2 | 8.0 | 2.0 |
| RF8-2.5 | 8.0 | 2.5 |
| RF8-3 | 8.0 | 3.0 |
| RF8.5-1.5 | 8.5 | 1.5 |
| RF8.5-2 | 8.5 | 2.0 |
| RF9-1 | 9.0 | 1.0 |
| RF9-1.2 | 9.0 | 1.2 |
| RF9-1.5 | 9.0 | 1.5 |
| RF9-2 | 9.0 | 2.0 |
| RF9-2.5 | 9.0 | 2.5 |
| RF9-3 | 9.0 | 3.0 |
| RF9.5-0.8 | 9.5 | 0.8 |
| RF9.5-1.5 | 9.5 | 1.5 |
| RF9.5-1.8 | 9.5 | 1.8 |
| RF9.5-2 | 9.5 | 2.0 |
| RF9.5-3 | 9.5 | 3.0 |
| RF10-0.8 | 10.0 | 0.8 |
| RF10-1 | 10.0 | 1.0 |
| RF10-1.3 | 10.0 | 1.3 |
| RF-1016 | 10.0 | 1.6 |
| RF-1018 | 10.0 | 1.8 |
| RF10-2 | 10.0 | 2.0 |
| RF10-3 | 10.0 | 3.0 |
| RF10.5-1 | 10.5 | 1.0 |
| RF10.5-15 | 10.5 | 1.5 |
| RF10.5-2 | 10.5 | 2.0 |
| RF-11632 | 11.6 | 3.2 |
| RF12-1.5 | 12.0 | 1.5 |
| RF-1210 | 12.0 | 1.0 |
| RF12-2.7 | 12.0 | 2.7 |
| RF-1220 | 12.0 | 2.0 |
| RF12-3 | 12.0 | 3.0 |
| RF12-3.6 | 12.0 | 3.6 |
| RF-1232 | 12.0 | 3.2 |
| RF-12520 | 12.5 | 2.0 |
| RF12.5-1 | 12.5 | 1.0 |

| Part No. | A | B |
|-------------|------|------|
| RF12732 | 12.7 | 3.2 |
| RF13-1 | 13.0 | 1.0 |
| RF13-3 | 13.0 | 3.0 |
| RF14-4 | 14.0 | 4.0 |
| RF14530 | 14.5 | 3.0 |
| RF14.5-4 | 14.5 | 4.0 |
| RF-1463 | 14.6 | 3.0 |
| RF-1510 | 15.0 | 1.0 |
| RF-1520 | 15.0 | 2.0 |
| RF-1530 | 15.0 | 3.0 |
| RF16.5-3 | 16.5 | 3.0 |
| RF18-1.3 | 18.0 | 1.3 |
| RF18-1.5 | 18.0 | 1.5 |
| RF18-2.5 | 18.0 | 2.5 |
| RF19-1 | 19.0 | 1.0 |
| RF19-2 | 19.0 | 2.0 |
| RF19-3 | 19.0 | 3.0 |
| RF19-4 | 19.0 | 4.0 |
| RF-19823 | 19.8 | 2.3 |
| RF20-1 | 20.0 | 1.0 |
| RF20-1.5 | 20.0 | 1.5 |
| RF20-1.8 | 20.0 | 1.8 |
| RF-2023 | 20.0 | 2.3 |
| RF-2025 | 20.0 | 2.5 |
| RF-2030 | 20.0 | 3.0 |
| RF22-2 | 22.0 | 2.0 |
| RF22-2.5 | 22.0 | 2.5 |
| RF22.1-10.4 | 21.7 | 10.4 |
| RF24.6-3 | 24.6 | 3.0 |
| RF25-2.3 | 25.0 | 2.3 |
| RF27-3 | 27.0 | 3.0 |
| RF28-3.2 | 28.0 | 3.2 |
| RF30-2 | 30.0 | 2.0 |
| RF40-1 | 40.0 | 1.0 |
| RF58-1.5 | 58.0 | 1.5 |
| RF58-2 | 58.0 | 2.0 |
| RF64.7-2.5S | 64.7 | 2.5 |

橡膠腳墊 RUBBER FOOT



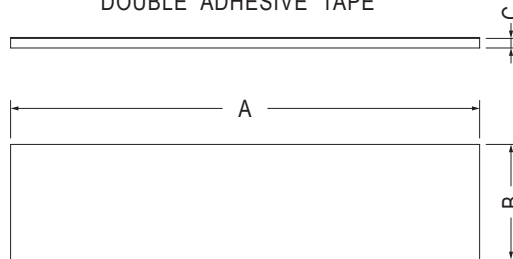
- Material: Rubber/Silicon Rubber
- Color: Black
- Unit: mm
- Other Materials Available: EPDM, Poron
- Optional Thickness: 0.5~10mm

用途：背膠式，可快速將腳墊固定於機殼，黏性佳、不脫落。

可依客戶指定長、寬、高裁切成各種形狀，如方形、圓形。表面可分為平面、斜紋等。

Different size available per request.

3M or T4000
DOUBLE ADHESIVE TAPE

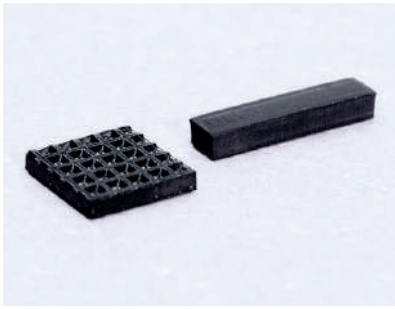


| Part No. | A | B | C |
|------------|------|------|-----|
| SF050435 | 5.0 | 4.5 | 3.5 |
| SF062313 | 6.0 | 2.3 | 1.3 |
| SF060425 | 6.0 | 4.0 | 2.5 |
| SF652840 | 6.5 | 2.8 | 4.0 |
| SF652850 | 6.5 | 2.8 | 5.0 |
| SF070215 | 7.0 | 2.0 | 1.5 |
| SF070216 | 7.0 | 2.0 | 1.6 |
| SF070304 | 7.0 | 3.0 | 0.4 |
| SF073512 | 7.0 | 3.5 | 1.2 |
| SF070420 | 7.0 | 4.0 | 2.0 |
| SF070620 | 7.0 | 6.0 | 2.0 |
| SF080625 | 8.0 | 6.0 | 2.5 |
| SF852530 | 8.5 | 2.5 | 3.0 |
| SF853520 | 8.5 | 3.5 | 2.0 |
| SF853525 | 8.5 | 3.5 | 2.5 |
| SF80452 | 8.0 | 4.5 | 2.0 |
| SF090855 | 9.6 | 8.0 | 5.5 |
| SF100616 | 9.9 | 6.0 | 1.6 |
| SF100119 | 10.0 | 1.9 | 1.9 |
| SF103512 | 10.0 | 3.5 | 1.2 |
| SF100409 | 10.0 | 4.0 | 0.9 |
| SF100510 | 10.0 | 5.0 | 1.0 |
| SF100520 | 10.0 | 5.0 | 2.0 |
| SF100712 | 10.0 | 7.0 | 1.2 |
| SF100825 | 10.0 | 8.0 | 2.5 |
| SF100850 | 10.0 | 8.0 | 5.0 |
| SF100730 | 10.5 | 7.2 | 3.0 |
| SF110830 | 11.5 | 8.0 | 3.0 |
| SF118781 | 11.8 | 7.8 | 1.0 |
| SF120565 | 12.0 | 5.0 | 6.5 |
| SF120810 | 12.0 | 8.5 | 1.0 |
| SF129515 | 12.0 | 9.5 | 1.5 |
| SF121530 | 12.0 | 15.0 | 3.0 |
| SF1256535 | 12.5 | 6.5 | 3.5 |
| SF1251008 | 12.5 | 10.0 | 0.8 |
| SF-1251015 | 12.5 | 10.0 | 1.5 |
| SF130620 | 13.0 | 6.0 | 2.0 |
| SF130630 | 13.0 | 6.0 | 3.0 |
| SF130735 | 13.0 | 7.0 | 3.5 |
| SF130740 | 13.0 | 7.0 | 4.0 |
| SF130855 | 13.5 | 8.0 | 5.5 |
| SF132525 | 13.0 | 2.5 | 2.5 |

| Part No. | A | B | C |
|------------|------|------|-----|
| SF140430 | 14.0 | 4.0 | 3.0 |
| SF140440 | 14.0 | 4.0 | 4.0 |
| SF150320 | 15.0 | 3.2 | 2.0 |
| SF150610 | 15.0 | 6.0 | 1.0 |
| SF151016 | 15.0 | 10.0 | 1.6 |
| SF151930 | 15.0 | 1.9 | 3.0 |
| SF152530 | 15.0 | 25.0 | 3.0 |
| SF155030 | 15.0 | 50.0 | 3.0 |
| SF1585601 | 15.8 | 5.6 | 1.0 |
| SF151025 | 15.8 | 10.0 | 2.5 |
| SF-163530 | 16.0 | 3.5 | 3.0 |
| SF160536 | 16.0 | 5.0 | 3.6 |
| SF170525 | 17.0 | 5.0 | 2.5 |
| SF1724330 | 17.2 | 4.3 | 3.0 |
| SF180930 | 18.0 | 9.0 | 3.0 |
| SF181010 | 18.0 | 10.0 | 1.0 |
| SF181020 | 18.0 | 10.0 | 2.0 |
| SF195640 | 19.0 | 5.6 | 4.0 |
| SF195720 | 19.0 | 5.7 | 2.0 |
| SF-197774 | 19.7 | 7.7 | 4.0 |
| SF197760 | 19.7 | 7.7 | 6.0 |
| SF190814 | 19.7 | 8.0 | 1.4 |
| SF190815 | 19.7 | 8.0 | 1.5 |
| SF-1979723 | 19.7 | 9.7 | 2.3 |
| SF1979725 | 19.7 | 9.7 | 2.5 |
| SF-1979730 | 19.7 | 9.7 | 3.0 |
| SF-1972015 | 19.7 | 20.0 | 1.5 |
| SF202515 | 20.0 | 2.5 | 1.5 |
| SF200410 | 20.0 | 4.0 | 1.0 |
| SF200420 | 20.0 | 4.0 | 2.0 |
| SF200510 | 20.0 | 5.0 | 1.0 |
| SF200515 | 20.0 | 5.0 | 1.5 |
| SF200563 | 20.0 | 5.0 | 6.3 |
| SF200568 | 20.0 | 5.0 | 6.8 |
| SF200725 | 20.0 | 7.0 | 2.5 |
| SF201010 | 20.0 | 10.0 | 1.0 |
| SF201015 | 20.0 | 10.0 | 1.5 |
| SF201020 | 20.0 | 10.0 | 2.0 |
| SF201035 | 20.0 | 10.0 | 3.5 |
| SF201056 | 20.0 | 10.0 | 5.6 |
| SF201465 | 20.0 | 14.0 | 6.5 |
| SF201515 | 20.0 | 15.0 | 1.5 |

| Part No. | A | B | C |
|-----------|------|------|------|
| SF200612 | 20.5 | 6.0 | 1.2 |
| SF210804 | 21.5 | 8.6 | 0.4 |
| SF-221615 | 22.0 | 16.0 | 1.5 |
| SF227640 | 22.6 | 7.6 | 4.0 |
| SF237640 | 23.0 | 7.6 | 4.0 |
| SF230610 | 23.7 | 6.5 | 1.0 |
| SF246011 | 24.8 | 6.0 | 1.1 |
| SF250535 | 25.0 | 5.0 | 3.5 |
| SF250550 | 25.0 | 5.0 | 5.0 |
| SF250760 | 25.0 | 7.0 | 6.0 |
| SF250810 | 25.0 | 8.0 | 1.0 |
| SF250815 | 25.0 | 8.0 | 1.5 |
| SF250820 | 25.0 | 8.0 | 2.0 |
| SF251235 | 25.0 | 12.0 | 3.5 |
| SF251224 | 25.4 | 12.7 | 2.4 |
| SF251232 | 25.4 | 12.7 | 3.2 |
| SF260510 | 26.8 | 5.5 | 1.0 |
| SF270830 | 27.0 | 8.0 | 3.0 |
| SF271810 | 27.0 | 18.0 | 1.0 |
| SF271820 | 27.0 | 18.0 | 2.0 |
| SF27183 | 27.0 | 18.0 | 3.0 |
| SF279032 | 27.5 | 9.0 | 3.2 |
| SF-3064 | 30.0 | 6.0 | 4.0 |
| SF303555 | 30.0 | 3.5 | 5.5 |
| SF-30709 | 30.0 | 7.0 | 0.9 |
| SF3038 | 30.0 | 8.0 | 3.8 |
| SF-301120 | 30.0 | 11.0 | 2.0 |
| SF-301140 | 30.0 | 11.0 | 4.0 |
| SF301230 | 30.0 | 12.0 | 3.0 |
| SF301250 | 30.0 | 12.0 | 5.0 |
| SF301525 | 30.0 | 15.0 | 2.5 |
| SF302055 | 30.0 | 20.0 | 5.5 |
| SF302501 | 30.0 | 25.0 | 1.0 |
| SF30511 | 30.5 | 11.0 | 7.0 |
| SF311510 | 31.5 | 15.5 | 1.0 |
| SF311515 | 31.5 | 15.5 | 1.5 |
| SF3267225 | 32.0 | 6.7 | 2.25 |
| SF321720 | 32.0 | 17.0 | 2.0 |
| SF321725 | 32.0 | 17.0 | 2.5 |
| SF332055 | 33.0 | 20.0 | 5.5 |
| SF332385 | 33.3 | 23.3 | 8.5 |
| SF331125 | 33.5 | 11.5 | 2.5 |

橡膠腳墊 RUBBER FOOT

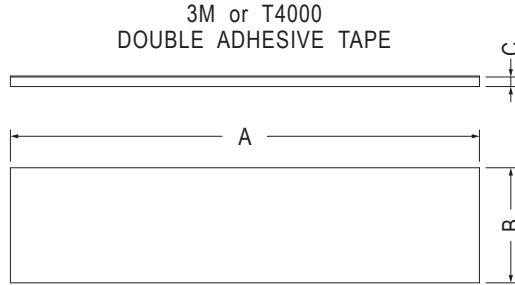


- Material: Rubber/Silicon Rubber
- Color: Black
- Unit: mm
- Other Materials Available: EPDM, Poron
- Optional Thickness: 0.5~10mm

用途：背膠式，可快速將腳墊固定於機殼，黏性佳、不脫落。

可依客戶指定長、寬、高裁切成各種形狀，如方形、圓形。表面可分為平面、斜紋等。

Different size available per request.



| Part No. | A | B | C |
|-----------|------|------|------|
| SF340220 | 34.0 | 2.0 | 2.0 |
| SF340904 | 34.6 | 9.5 | 0.4 |
| SF-340901 | 34.7 | 9.7 | 1.0 |
| SF351001 | 35.0 | 10.0 | 1.0 |
| SF351580 | 35.0 | 15.0 | 8.0 |
| SF352508 | 35.0 | 25.0 | 0.8 |
| SF361810 | 36.0 | 18.0 | 1.0 |
| SF361820 | 36.0 | 18.0 | 2.0 |
| SF400509 | 39.5 | 5.0 | 0.9 |
| SF-4009 | 40.0 | 9.0 | 1.5 |
| SF400924 | 40.0 | 9.0 | 2.4 |
| SF400930 | 40.0 | 9.0 | 3.0 |
| SF401040 | 40.0 | 10.5 | 4.0 |
| SF401235 | 40.0 | 12.0 | 3.5 |
| SF401240 | 40.0 | 12.0 | 4.0 |
| SF401250 | 40.0 | 12.0 | 5.0 |
| SF401715 | 40.0 | 17.5 | 1.5 |
| SF442010 | 44.5 | 20.0 | 10.0 |
| SF451020 | 45.0 | 10.0 | 2.0 |
| SF473530 | 47.5 | 3.5 | 3.0 |
| SF481040 | 48.0 | 10.0 | 4.0 |
| SF484410 | 48.0 | 44.0 | 1.0 |
| SF491210 | 49.0 | 12.0 | 1.0 |
| SF500620 | 50.0 | 6.0 | 2.0 |
| SF501038 | 50.0 | 10.0 | 3.8 |
| SF541010 | 54.0 | 10.0 | 1.0 |
| SF550515 | 55.0 | 5.0 | 1.5 |

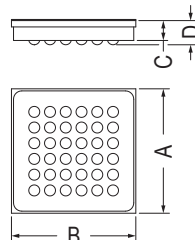
| Part No. | A | B | C |
|-----------|-------|------|------|
| SF582508 | 58.0 | 25.0 | 0.8 |
| SF582514 | 58.0 | 25.0 | 1.4 |
| SF582516 | 58.0 | 25.0 | 1.6 |
| SF600610 | 60.0 | 6.0 | 1.0 |
| SF600613 | 60.0 | 6.0 | 1.3 |
| SF600625 | 60.0 | 6.0 | 2.5 |
| SF-6064 | 60.0 | 6.0 | 4.0 |
| SF600907 | 60.0 | 9.0 | 0.7 |
| SF601010 | 60.0 | 10.0 | 1.0 |
| SF601025 | 60.0 | 10.0 | 2.5 |
| SF6017530 | 60.0 | 17.5 | 3.0 |
| SF602010 | 60.0 | 20.0 | 10.0 |
| SF606767 | 60.0 | 6.7 | 6.7 |
| SF652020 | 65.0 | 20.0 | 2.0 |
| SF654030 | 65.0 | 40.0 | 3.0 |
| SF700525 | 70.0 | 5.0 | 2.5 |
| SF701820 | 70.0 | 18.0 | 2.0 |
| SF702010 | 70.0 | 20.0 | 1.0 |
| SF764005 | 76.0 | 40.0 | 0.5 |
| SF-801004 | 80.0 | 10.0 | 0.5 |
| SF845208 | 84.6 | 52.6 | 0.8 |
| SF880810 | 88.0 | 8.0 | 1.0 |
| SF951232 | 95.0 | 12.0 | 3.2 |
| SF980830 | 98.0 | 8.0 | 3.0 |
| SF993555 | 99.0 | 3.5 | 5.5 |
| SF990915 | 99.0 | 9.9 | 1.5 |
| LSF-002 | 100.0 | 12.0 | 3.5 |

| Part No. | A | B | C |
|------------|-------|-------|-----|
| SF107581 | 107.0 | 58.0 | 1.5 |
| SF1100540 | 110.0 | 5.6 | 4.0 |
| SF1101010 | 110.0 | 10.0 | 1.0 |
| SF1111009 | 111.0 | 10.0 | 0.9 |
| SF1200310 | 120.0 | 3.0 | 1.0 |
| SF1254620 | 125.0 | 46.0 | 2.0 |
| SF1302030 | 130.0 | 20.0 | 3.0 |
| SF1302020 | 130.0 | 20.0 | 2.0 |
| SF1340220 | 134.0 | 2.0 | 2.0 |
| SF1400520 | 140.0 | 5.0 | 2.0 |
| SF140101 | 140.0 | 10.0 | 1.0 |
| SF140251 | 140.0 | 25.0 | 1.0 |
| SF14510520 | 145.0 | 105.0 | 2.0 |
| SF1461010 | 146.0 | 10.0 | 1.0 |
| SF1500712 | 150.0 | 7.0 | 1.2 |
| SF-1501004 | 150.0 | 10.0 | 0.5 |
| SF1501515 | 150.0 | 15.0 | 1.5 |
| SF1600610 | 160.0 | 6.0 | 1.0 |
| SF1664930 | 166.5 | 49.0 | 3.0 |
| SF2500515 | 250.0 | 5.0 | 1.5 |
| SF2506520 | 250.0 | 65.0 | 2.0 |
| SF2701655 | 270.0 | 165.0 | 0.5 |
| SF2581420 | 258.0 | 14.5 | 2.0 |
| SF3101150 | 310.0 | 11.6 | 5.0 |
| SF3101250 | 310.0 | 12.0 | 5.0 |
| SF5400208 | 540.0 | 2.9 | 0.8 |



- Material: Rubber
- Color: Black
- Unit: mm

3M or T4000 DOUBLE ADHESIVE TAPE

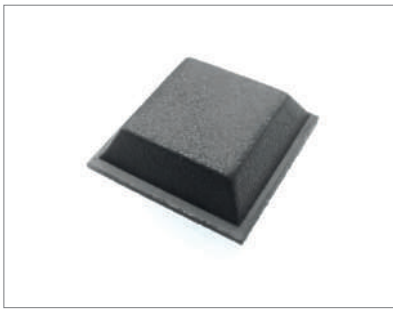


用途：背膠式，可快速將腳墊固定於機殼，黏性佳、不脫落。

| Part No. | A | B | C | D |
|----------|------|------|-----|-----|
| P004 | 14.0 | 13.5 | 2.1 | 2.6 |
| P005 | 15.0 | 14.5 | 2.6 | 3.1 |

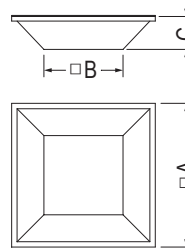
橡膠腳墊 RUBBER FOOT

用途：背膠式，可快速將腳墊固定於機殼，黏性佳、不脫落。

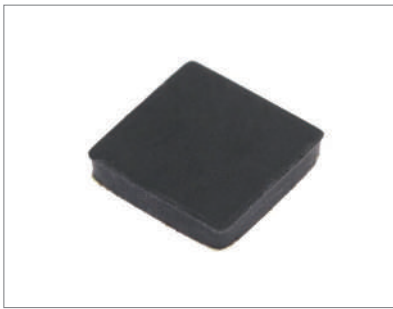


- Material: Rubber/Silicon Rubber/PU
- Color: Black
- Unit: mm

3M or T4000
DOUBLE ADHESIVE TAPE

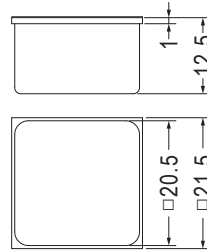


| Part No. | A | B | C |
|----------|------|------|-----|
| SF-004 | 12.7 | 9.0 | 3.5 |
| SF-005 | 12.7 | 7.0 | 6.0 |
| SF-006 | 20.0 | 14.0 | 7.6 |
| SF-007 | 10.5 | 8.6 | 2.5 |
| SF-009 | 12.5 | 9.5 | 4.0 |
| SF-016 | 12.7 | 9.8 | 3.0 |
| SF-017 | 12.5 | 9.7 | 3.5 |



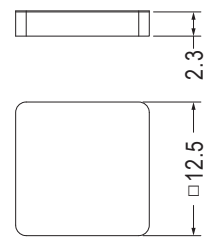
- Material: Rubber/Silicon Rubber
- Color: Black
- Unit: mm

3M or T4000
DOUBLE ADHESIVE TAPE



| Part No. | Package |
|----------|---------|
| SF202013 | 1000 |

3M 9448
DOUBLE ADHESIVE TAPE



| Part No. | Package |
|----------|---------|
| TF-1698 | 1000 |



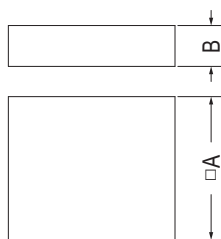
- Material: Rubber/Silicon Rubber
- Color: Black
- Unit: mm
- Other Materials Available: EPDM, Poron...
- Optional Thickness: 0.7~5.0mm

用途：背膠式，可快速將腳墊固定於機殼，黏性佳、不脫落。

可依客戶指定長、寬、高裁切成各種形狀，如方形、圓形。表面可分為平面、斜紋等。

Different size available per request.

3M or T4000
DOUBLE ADHESIVE TAPE



| Part No. | A | B |
|------------|-----|-----|
| SF050510 | 5.0 | 1.0 |
| SF050512 | 5.0 | 1.2 |
| SF-6610 | 6.0 | 1.0 |
| SF-6615 | 6.0 | 1.5 |
| SF060625 | 6.0 | 2.5 |
| SF-664 | 6.0 | 4.0 |
| SF-665 | 6.0 | 5.0 |
| SF060660 | 6.0 | 6.0 |
| SF-001 | 6.4 | 3.0 |
| SF070715 | 7.0 | 1.5 |
| SF070720 | 7.0 | 2.0 |
| SF070740 | 7.0 | 4.0 |
| SF070755 | 7.0 | 5.5 |
| SF070780 | 7.0 | 8.0 |
| SF73732 | 7.3 | 2.0 |
| SF-080801 | 8.0 | 1.0 |
| SF-080802 | 8.0 | 2.0 |
| SF080823 | 8.0 | 2.3 |
| SF-0808025 | 8.0 | 2.5 |
| SF090945 | 9.0 | 4.5 |
| SF-002 | 9.7 | 2.0 |

| Part No. | A | B |
|------------|------|-----|
| SF-979735 | 9.7 | 3.5 |
| SF101007 | 10.0 | 0.7 |
| SF101009 | 10.0 | 0.9 |
| SF101010 | 10.0 | 1.0 |
| SF101016 | 10.0 | 1.6 |
| SF101020 | 10.0 | 2.0 |
| SF101023 | 10.0 | 2.3 |
| SF101025 | 10.0 | 2.5 |
| SF101030 | 10.0 | 3.0 |
| SF101035 | 10.0 | 3.5 |
| SF101040 | 10.0 | 4.0 |
| SF101050 | 10.0 | 5.0 |
| SF101060 | 10.0 | 6.0 |
| SF111160 | 11.0 | 6.0 |
| SF11511550 | 11.5 | 5.0 |
| SF11511565 | 11.5 | 6.5 |
| SF-121212 | 12.0 | 1.2 |
| SF121225 | 12.0 | 2.5 |
| SF-003 | 12.0 | 5.0 |
| SF121255 | 12.0 | 5.5 |

| Part No. | A | B |
|------------|------|-----|
| SF121270 | 12.0 | 7.0 |
| SF-1272 | 12.7 | 2.3 |
| SF-131320 | 13.0 | 2.0 |
| SF14142 | 14.0 | 2.0 |
| SF141480 | 14.0 | 8.0 |
| SF151512 | 15.0 | 1.2 |
| SF-151515 | 15.0 | 1.5 |
| SF151535 | 15.0 | 3.5 |
| SF151550 | 15.0 | 5.0 |
| SF161610 | 16.0 | 1.0 |
| SF171725 | 17.0 | 2.5 |
| SF181810 | 18.0 | 1.0 |
| SF181820 | 18.0 | 2.0 |
| SF181840 | 18.0 | 4.0 |
| SF181850 | 18.0 | 5.0 |
| SF202030 | 20.0 | 3.0 |
| SF25425450 | 25.4 | 5.0 |
| SF404010 | 40.0 | 1.0 |
| SF404050 | 40.0 | 5.0 |
| SF505050 | 50.0 | 5.0 |

橡膠腳墊 RUBBER FOOT

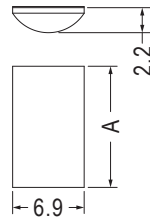
用途：背膠式，可快速將腳墊固定於機殼，黏性佳、不脫落。



- Material: Rubber/Silicon Rubber
- Color: Black
- Unit: mm
- Other Materials Available: EPDM

尺寸可依客戶要求。
Different size available per request.

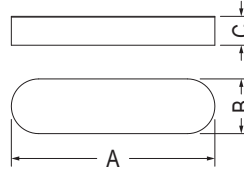
3M or T4000
DOUBLE ADHESIVE TAPE



| Part No. | A |
|----------|------|
| SF14722 | 14.0 |
| SF28722 | 27.8 |



3M or T4000
DOUBLE ADHESIVE TAPE



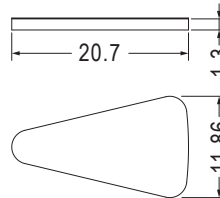
| Part No. | A | B | C |
|----------|------|-----|-----|
| PT080210 | 8.0 | 2.0 | 1.0 |
| PT100612 | 10.5 | 6.0 | 1.2 |
| PT100614 | 10.5 | 6.0 | 1.4 |

| Part No. | A | B | C |
|-----------|------|-----|-----|
| TF-1627 | 15.2 | 9.2 | 3.0 |
| PT158932S | 15.8 | 9.3 | 2.0 |
| PT160915 | 16.0 | 9.5 | 1.5 |
| PT-1762 | 17.5 | 6.5 | 2.0 |
| PT200612 | 20.5 | 6.2 | 1.2 |
| PT200617 | 20.5 | 6.2 | 1.7 |
| PT2492 | 24.0 | 9.0 | 2.0 |
| PT270720 | 26.8 | 7.2 | 2.0 |
| PT005 | 26.8 | 7.2 | 3.8 |
| PT360712 | 36.0 | 7.0 | 1.2 |
| PT690920 | 69.6 | 9.8 | 2.0 |

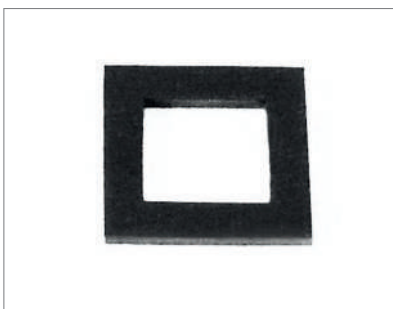


- Material: Rubber
- Color: Black
- Unit: mm

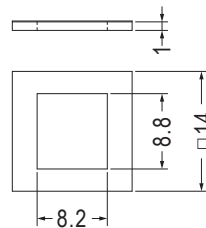
3M or T4000
DOUBLE ADHESIVE TAPE



| Part No. | Package |
|----------|---------|
| TF201113 | 1000 |



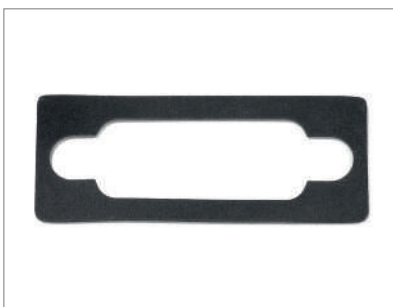
3M or T4000
DOUBLE ADHESIVE TAPE



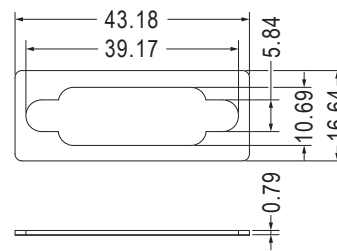
| Part No. |
|----------|
| SF141410 |

遮板 PANEL PAD

用途：背膠式，可貼於D-SUB連接器之外觀或裡面保護或絕緣。



- Material: Silicon Rubber
- Color: Black
- Unit: mm

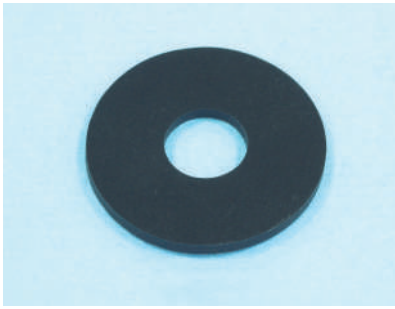


DOUBLE ADHESIVE TAPE

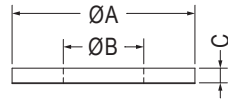
| Part No. | Package |
|----------|---------|
| TF-1596 | 1000 |

橡膠華司 RUBBER WASHER

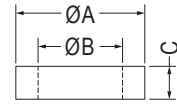
用途：做為零件之墊片。



- Material: Rubber/Silicon Rubber
- Color: Black
- Unit: mm



3M or T4000
DOUBLE ADHESIVE TAPE



(無背膠)

WITHOUT ADHESIVE TAPE

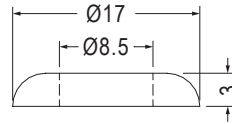
【 RWF7.6-1.7N, RWF7.2-2.8N 】

| Part No. | A | B | C |
|-------------|------|-----|-----|
| RWF3.5-0.5 | 8.0 | 3.5 | 0.5 |
| RWF3.5-1 | 8.0 | 3.5 | 1.0 |
| RWF4.5-2 | 8.0 | 4.5 | 2.0 |
| RWF5.1-2.1 | 8.5 | 5.1 | 2.1 |
| RWF7.6-1.7N | 10.9 | 7.6 | 1.7 |
| RWF3.5-1.5 | 11.0 | 3.5 | 1.5 |
| RWF7.2-2.8N | 11.0 | 7.2 | 2.8 |

| Part No. | A | B | C |
|--------------|------|------|-----|
| RWF4.5-3 | 15.0 | 4.5 | 3.0 |
| RWF18-8.5-15 | 18.0 | 8.5 | 1.5 |
| RWF20-1.5 | 20.0 | 6.0 | 1.5 |
| RWF25-2 | 25.0 | 11.0 | 2.0 |
| RWF10.2-2 | 29.6 | 10.2 | 2.0 |
| RWF40-2 | 40.0 | 12.0 | 2.0 |
| RWF43-2 | 43.0 | 30.1 | 2.0 |



- Material: Rubber
- Color: Black
- Unit: mm



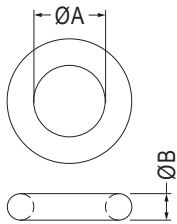
| Part No. |
|-----------|
| RWF8.5-3N |

矽橡膠墊圈 O-RING

用途：做為零件之油封或墊片。



- Material: NBR/EPDM/Silicon Rubber
- Color: Black
- Unit: mm

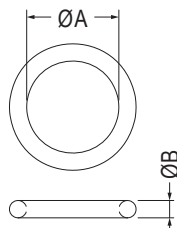


| Part No. | A | B | Package |
|------------|------|------|---------|
| OR-1.7 | 1.7 | 0.6 | 2000 |
| OR-2 | 2.0 | 1.0 | |
| OR-2.7 | 2.75 | 0.6 | |
| OR-2.8 | 2.8 | 0.5 | |
| OR-2.9 | 2.9 | 1.78 | |
| OR-3.6 | 3.6 | 1.78 | |
| OR-4 | 4.0 | 2.0 | |
| OR-4.6 | 4.6 | 1.78 | |
| OR-5 | 5.0 | 1.0 | |
| OR5.5-11.8 | 5.5 | 3.15 | |
| OR-5.8 | 5.8 | 1.9 | |

| Part No. | A | B | Package |
|-------------|------|------|---------|
| OR-6 | 6.02 | 2.6 | 2000 |
| OR6.07-1.63 | 6.07 | 1.63 | |
| OR7-2 | 7.0 | 2.0 | |
| OR-7.6 | 7.65 | 1.78 | |
| OR-7.9 | 7.9 | 1.0 | |
| OR-11 | 11.0 | 2.0 | |
| OR-88 | 20.0 | 1.0 | |
| OR-21.3 | 21.3 | 3.0 | |
| OR-25.2 | 25.2 | 3.5 | |
| OR-84.4 | 84.4 | 3.1 | |



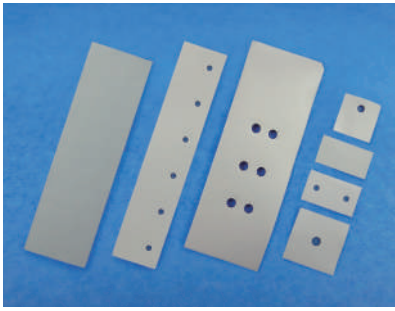
- Material: Silicon Rubber
- Color: Black
- Unit: mm



| Part No. | A | B | Package |
|-------------|-------|------|---------|
| OR2.4-1.9 | 2.4 | 1.9 | 2000 |
| OR2.6-1.1 | 2.6 | 1.1 | |
| OR8-1.5 | 8.0 | 1.5 | |
| OR10.5-1 | 10.5 | 1.0 | |
| OR10.6-1.25 | 10.6 | 1.25 | |
| OR15-1.5 | 15.0 | 1.5 | |
| OR-31-1.8 | 31.47 | 1.78 | |

功率晶體導熱矽膠片 TRANSISTOR THERMAL CONDUCTIVE PAD

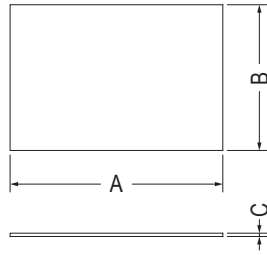
用途：用於功率晶體之導熱和絕緣。



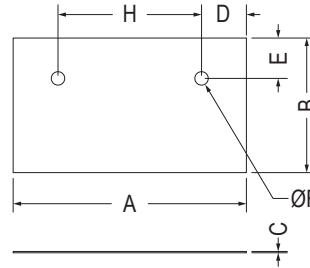
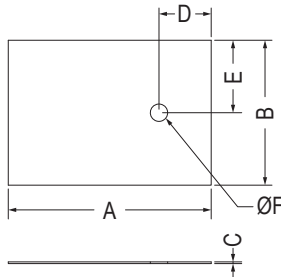
- Material: Silicon (UL)
- Flame Class: 94V-0
- Color: Gray
- Unit: mm

可依客戶指定長、寬、高裁切成各種形狀，如方形、圓形。

Different size available per request.

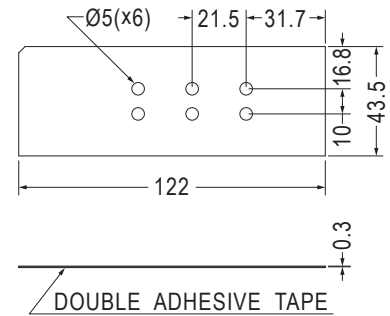
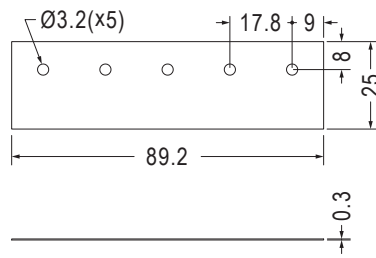
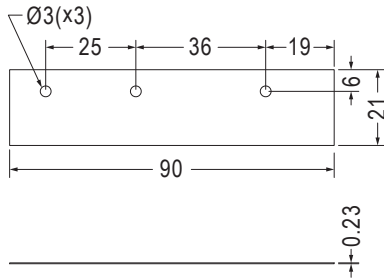


| Part No. | A | B | C | Package |
|----------|-------|-------|------|---------|
| SI1913 | 19.0 | 13.0 | 0.3 | 1000 |
| SI21125 | 21.0 | 12.5 | 0.3 | |
| SI2519 | 25.0 | 19.0 | 0.3 | |
| SI3012 | 30.0 | 12.0 | 0.3 | |
| SI3030-1 | 30.0 | 30.0 | 0.3 | |
| SI4520 | 45.0 | 20.5 | 0.3 | |
| SI304802 | 48.0 | 30.0 | 0.23 | |
| SI300200 | 300.0 | 200.0 | 0.3 | 100 |



| Part No. | A | B | C | D | E | F | Package |
|----------|------|------|------|------|------|-----|---------|
| SI3023 | 30.0 | 23.0 | 0.3 | 15.0 | 12.6 | 3.0 | 1000 |
| SI3030 | 30.0 | 30.0 | 0.45 | 15.0 | 15.0 | 4.5 | |
| SI2535 | 35.0 | 25.0 | 0.3 | 9.0 | 12.5 | 3.0 | |

| Part No. | A | B | C | D | E | F | H | Package |
|------------|------|------|------|------|-----|-----|------|---------|
| SI30172H | 30.5 | 17.8 | 0.3 | 6.4 | 8.9 | 3.1 | 17.7 | 1000 |
| SI335125H2 | 33.5 | 12.5 | 0.3 | 5.75 | 7.0 | 3.0 | 22.0 | |
| SI34132H | 34.0 | 13.0 | 0.3 | 5.0 | 6.5 | 5.8 | 24.0 | |
| SI5230 | 52.0 | 30.0 | 0.3 | 10.0 | 9.0 | 3.0 | 32.0 | |
| SI752845 | 75.0 | 28.0 | 0.45 | 27.0 | 7.5 | 3.2 | 21.0 | |



| Part No. | Package |
|----------|---------|
| SI9021 | 500 |

| Part No. | Package |
|----------|---------|
| SI8925H5 | 500 |

| Part No. | Package |
|------------|---------|
| SI12243H6A | 1000 |

EVA泡棉 EVA FOAM

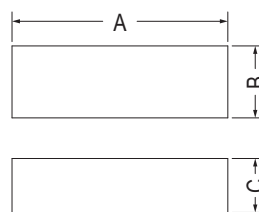
用途：腳墊，零件之絕緣，可用背膠（單面或雙面）。



- Material: EVA
- Color: Black
- Unit: mm

尺寸可依客戶要求。

Different size available per request.



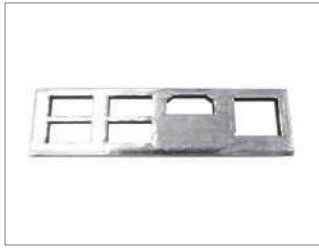
3M or T4000
DOUBLE ADHESIVE TAPE

| Part No. | A | B | C |
|-----------|------|-----|-----|
| EVA862 | 8.0 | 6.0 | 2.0 |
| EVA120430 | 12.0 | 4.0 | 3.0 |

導電泡棉 CONDUCTIVE FOAM

- Material: EMI Conductive Fabric
- Unit: mm

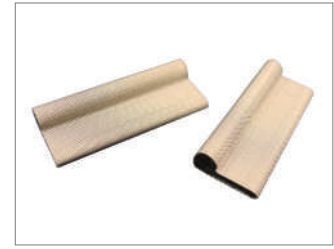
用途：EMI屏蔽導電，可用背膠(單面或雙面)，尺寸可依客戶要求。
Different size available per request.



| Part No. | Package |
|----------|---------|
| CRGI01 | 1000 |



| Part No. | Package |
|----------|---------|
| CRGH06 | 1000 |



| Part No. | Package |
|----------|---------|
| CRGP11 | 1000 |



| Part No. | Package |
|----------|---------|
| CRGF02 | 1000 |



| Part No. | Package |
|----------|---------|
| CRGR-G07 | 1000 |



| Part No. | Package |
|----------|---------|
| CRGI12 | 1000 |



| Part No. | Package |
|----------|---------|
| CRGS03 | 1000 |



| Part No. | Package |
|----------|---------|
| CRGR08 | 1000 |



| Part No. | Package |
|----------|---------|
| CRGT13 | 1000 |



| Part No. | Package |
|----------|---------|
| CRGR04 | 1000 |



| Part No. | Package |
|----------|---------|
| CRGC09 | 1000 |



| Part No. | Package |
|----------|---------|
| CRGD14 | 1000 |



| Part No. | Package |
|----------|---------|
| CRGI-E05 | 1000 |



| Part No. | Package |
|----------|---------|
| CRGL10 | 1000 |



| Part No. | Package |
|----------|---------|
| CRGI-W15 | 1000 |