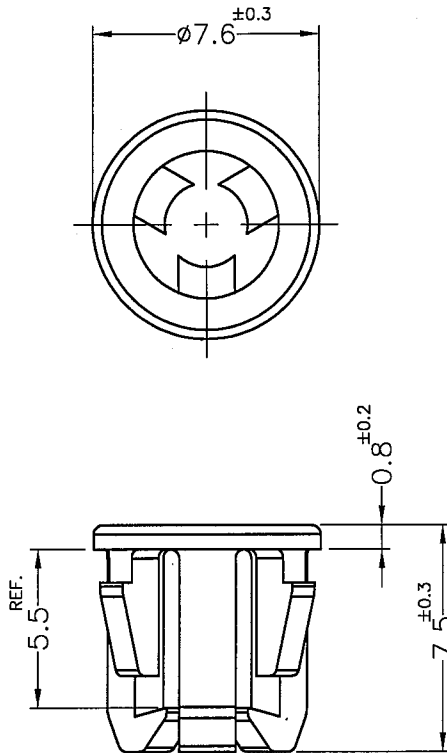


Patented Product

專利產品



MOUNTING HOLE: $\phi 7.0\text{mm}^{+0.05}_{-0}$
 THICKNESS: 1.0mm
 (RECOMMEND FOR REFERENCE ONLY)

- NOTE: 1. SUITABLE FOR $\phi 4.8$ LED WITH VISOR AND 2PIN, 3PIN.
 適用於 $\phi 4.8$ LED有帽緣的，適用於2PIN，3PIN。
 2. SHRINKING IS NORMAL STATUS.
 內縮為正常現象。
 3. MADE OF EQUIVALENT MATERIAL.
 可使用同等材質。
 4. THE COLOR BATCH TEST REPORT IS ONLY FOR FIRST LOT TEST.
 色母環保檢測報告，僅提供原始測試報告。



康揚企業股份有限公司
 KANG YANG HARDWARE ENTERPRISE CO., LTD.
 康揚塑膠(東莞)有限公司
 KANG YANG PLASTIC(DONG GUAN)CO.,LTD.
 康哲電腦配件(吳江)有限公司
 KANG CHE COMPUTER COMPONENTS(WUJIANG)CO.,LTD.

PROPRIETARY AND CONFIDENTIAL THE INFORMATION CONTAINED IN THIS DRAWING IS THE SOLE PROPERTY OF KANG YANG HARDWARE ENTERPRISE CO. ANY REPRODUCTION IN PART OR AS A WHOLE WITHOUT THE WRITTEN PERMISSION OF KANG YANG HARDWARE ENTERPRISE CO. IS PROHIBITED.	DATE	TITLE		DWG. NO.	PART NO.	
	2016.04.11	LED HOLDER		LED5-28L	LED5-28L(B)	
	DRAWN	MATERIAL		SIZE	SPEC. DWG	REV
	K.W	NYLON 66 UL94V-2				
CHECKED	COLOR	FINISH	A4	A		
Yuping	BLACK					
APPROVED	UNLESS OTHERWISE SPECIFIED TOLERANCE:		SCALE: 4:1	UNIT	SHEET 1 OF 1	
DO NOT SCALE DRAWING	SEE ABOVE			mm		