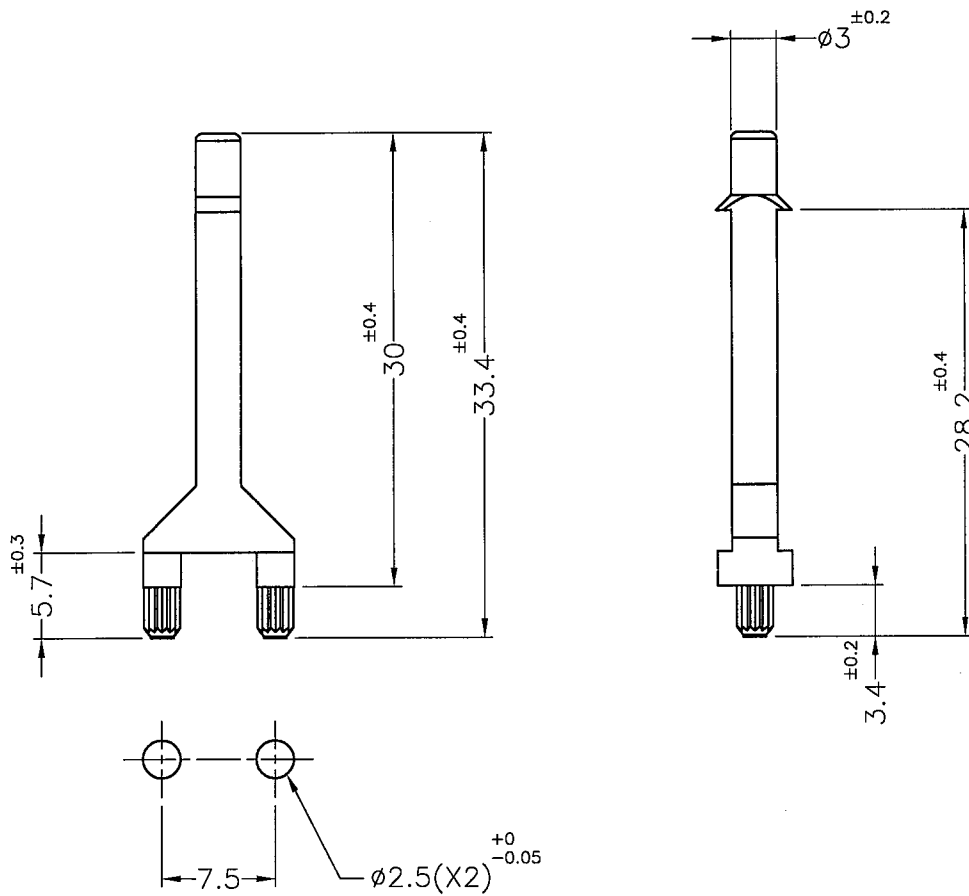
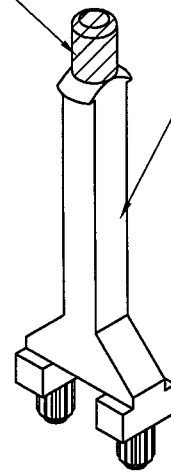


MATTED SURFACE
(霧面)

POLISHED SURFACE
(拋光面)



MOUNTING HOLE
(RECOMMEND FOR REFERENCE ONLY)

NOTE: MADE OF EQUIVALENT MATERIAL.
均可使用同等材質。



康揚企業股份有限公司
KANG YANG HARDWARE ENTERPRISE CO., LTD.
康揚塑膠(東莞)有限公司
KANG YANG PLASTIC(DONG GUAN)CO.,LTD.
康哲電腦配件(吳江)有限公司
KANG CHE COMPUTER COMPONENTS(WUJIANG)CO.,LTD.

PROPRIETARY AND CONFIDENTIAL THE INFORMATION CONTAINED IN THIS DRAWING IS THE SOLE PROPERTY OF KANG YANG HARDWARE ENTERPRISE CO., ANY REPRODUCTION IN PART OR AS A WHOLE WITHOUT THE WRITTEN PERMISSION OF KANG YANG HARDWARE ENTERPRISE CO. IS PROHIBITED.	DATE	2023.07.31	TITLE	LIGHT PIPE		DWG. NO.	PART NO.	
	DRAWN	FORSEN	MATERIAL	PC UL94V-0		LEM-290V0		LEM-290V0
	CHECKED	Yuping	COLOR	TRANSPARENT	FINISH	SIZE	SPEC. DWG.	REV
	APPROVED	Kang	UNLESS OTHERWISE SPECIFIED TOLERANCE: SEE ABOVE		A4	A		
DO NOT SCALE DRAWING				SCALE: 2:1	UNIT	mm	SHEET 1 OF 1	