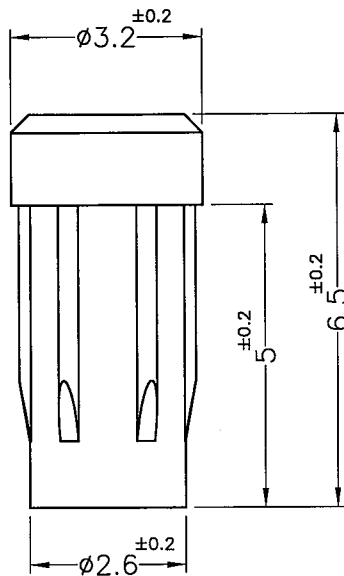
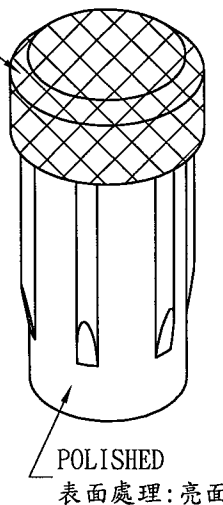


MATTE
表面處理:霧面



PLASTIC MOUNTING HOLE: $\phi 2.8^{+0.1}_0$
 裝配孔適用於塑膠板
 METAL MOUNTING HOLE: $\phi 3^{+0.05}_0$
 裝配孔適用於鐵板

- NOTE: 1. MADE OF EQUIVALENT MATERIAL.
 均可使用同等材質。
 2. THIS MOUNTING HOLE IS FOR REFERENCE ONLY,
 PLEASE ADJUST TOLERANCE ACCORDING TO THE DEGREE OF TIGHTNESS AS REQUESTED.
 此裝配孔為建議參考值, 請依照喜好之裝配鬆緊度, 自行調整公差範圍。



康揚企業股份有限公司
 KANG YANG HARDWARE ENTERPRISE CO., LTD.
 康揚塑膠(東莞)有限公司
 KANG YANG PLASTIC(DONG GUAN)CO.,LTD.
 康哲電腦配件(吳江)有限公司
 KANG CHE COMPUTER COMPONENTS(WUJIANG)CO.,LTD.

PROPRIETARY AND CONFIDENTIAL THE INFORMATION CONTAINED IN THIS DRAWING IS THE SOLE PROPERTY OF KANG YANG HARDWARE ENTERPRISE CO. ANY REPRODUCTION IN PART OR AS A WHOLE WITHOUT THE WRITTEN PERMISSION OF KANG YANG HARDWARE ENTERPRISE CO. IS PROHIBITED. DO NOT SCALE DRAWING	DATE	TITLE		DWG. NO.	PART NO.	
	2023.06.01	LED LIGHT PIPE		LEM-88-5	LEM-88-5	
	DRAWN	MATERIAL		SIZE	SPEC. DWG	REV
	Howl	PC UL94V-2				
CHECKED	COLOR	FINISH	SCALE: 8:1		UNIT	SHEET 1 OF 1
李柏宥	TRANSPARENT		mm			
APPROVED	UNLESS OTHERWISE SPECIFIED TOLERANCE:		SEE ABOVE			
Kang						